

## Round LED modules 400mm

### Product description

- Long life-time
- Built-in, constant current LED module
- Re-workable push-in terminals enabling easy connection
- Compliance and approval: CE, ENEC
- Available CCT from 2700K to 6500K and CRI 80, 90



### RdLED CRI 80 CJ G4

Product name	Ordering code	Colour temperature [K]	Current nominal If nom [mA]	Luminous flux <sup>1</sup> φ [lm]	Useful luminous flux <sup>2</sup> [lm]	Voltage <sup>1</sup> Vf [V]	Power <sup>1</sup> P [W]	Efficacy <sup>1</sup> [lm/W]	Current minimum If min <sup>3</sup> [mA]	Current maximum If max [mA]	Energy Efficiency Class
RdLED 400mm 4000lm 830 42V CJ G4	1010 147 77146	3000	550	3966	4067	37	21	193	100	2000	C
RdLED 400mm 4000lm 830 105V CJ G4	1010 137 55346		220	3966	4067	94	21	193	40	800	C
RdLED 400mm 4000lm 840 42V CJ G4	1010 147 77246	4000	550	4125	4230	37	21	200	100	2000	B
RdLED 400mm 4000lm 840 105V CJ G4	1010 137 68646		220	4125	4230	94	21	200	40	800	B

### RdLED CRI 80 CN G3

Product name	Ordering code	Colour temperature [K]	Current nominal If nom [mA]	Luminous flux <sup>1</sup> φ [lm]	Useful luminous flux <sup>2</sup> [lm]	Voltage <sup>1</sup> Vf [V]	Power <sup>1</sup> P [W]	Efficacy <sup>1</sup> [lm/W]	Current minimum If min <sup>3</sup> [mA]	Current maximum If max [mA]	Energy Efficiency Class
RdLED 400mm 4200lm 827-865 33V CN G3	1010 137 25046	2700	780	4038	4179	30	23	174	120	1800	C
		6500	780	4381	4534	30	23	189	120	1800	C
RdLED 400mm 4000lm 830 42V CN G3	1010 147 76746	3000	575	3965	4103	38	22	183	100	1500	C
RdLED 400mm 4000lm 830 105V CN G3	1010 147 76946		230	3965	4103	94	22	183	40	600	C
RdLED 400mm 4000lm 840 42V CN G3	1010 147 76846	4000	575	4183	4329	38	22	193	100	1500	C
RdLED 400mm 4000lm 840 105V CN G3	1010 147 77046		230	4183	4329	94	22	193	40	600	C

### RdLED CRI 80 LG G2

Product name	Ordering code	Colour temperature [K]	Current nominal If nom [mA]	Luminous flux <sup>1</sup> φ [lm]	Useful luminous flux <sup>2</sup> [lm]	Voltage <sup>1</sup> Vf [V]	Power <sup>1</sup> P [W]	Efficacy <sup>1</sup> [lm/W]	Current minimum If min <sup>3</sup> [mA]	Current maximum If max [mA]	Energy Efficiency Class
RdLED 400mm 4000lm 830 42V LG G2	1010 147 76346	3000	590	3940	4063	38	23	174	100	1500	C
RdLED 400mm 4000lm 830 105V LG G2	1010 147 76546		235	3924	4047	96	23	174	40	600	C
RdLED 400mm 4000lm 840 42V LG G2	1010 147 76446	4000	590	4186	4317	38	23	185	100	1500	C
RdLED 400mm 4000lm 840 105V LG G2	1010 147 76646		235	4169	4300	96	23	185	40	600	C

### RdLED CRI 90 EH1.1 G3

Product name	Ordering code	Colour temperature [K]	Current nominal If nom [mA]	Luminous flux <sup>1</sup> φ [lm]	Useful luminous flux <sup>2</sup> [lm]	Voltage <sup>1</sup> Vf [V]	Power <sup>1</sup> P [W]	Efficacy <sup>1</sup> [lm/W]	Current minimum If min <sup>3</sup> [mA]	Current maximum If max [mA]	Energy Efficiency Class
RdLED 400mm 4200lm 927-965 33V EH1.1 G3	1010 127 72946	2700	810	4097	4220	31	25	162	120	1800	D
		6500	810	4353	4484	31	25	172	120	1800	

<sup>1</sup>At nominal current and T<sub>p</sub>

<sup>2</sup>At nominal current and 25°C

<sup>3</sup>It is recommended not to operate below minimum current in order to avoid un-even brightness

Tolerance range for optical and electrical ±10%

## Round LED modules 400mm

### Temperature & humidity

Specification item	Unit	Value
<b>Tp</b>	[°C]	45
<b>Tp rated</b>	[°C]	65
<b>Tc</b>	[°C]	85
<b>Relative humidity (non-condensing)</b>	[%]	5 ... 85
<b>Storage ambient temperature</b>	[°C]	-25 ... +85
<b>Storage relative humidity (non-condensing)</b>	[%]	5 ... 85

Tp - Temperature related to the performance parameters of the LED modules

Tp rated - Maximum operating temperature to which the rated performance characteristics are declared

Tc - Highest permissible value for safe operation

### Technical data

Specification item	Unit	Value
<b>Classification acc. to IEC 62031</b>		built-in
<b>Working voltage</b>	[Vdc]	350
<b>Beam angle</b>	[deg]	120
<b>Initial color consistency</b>	[SDCM]	3
<b>Photobiological safety</b>		RG1 unlimited

### Color coordinates

According to CIE 1931

Specification item	CIE <sub>x</sub>	CIE <sub>y</sub>
2700K	0.4578	0.4101
3000K	0.4338	0.4030
4000K	0.3818	0.3797
6500K	0.3123	0.3282

### Certificates & standards

Specification item	Compliant
ENEC	Yes
CE	Yes
RoHS	Yes
REACH	Yes
IP rating	No IP rating

### Lumen maintenance

for LE G5, LG G2, LA G3

Forward current	Tp temp.	L70 [h]		L80 [h]		L90 [h]	
		B50	B10	B50	B10	B50	B10
<b>If nom</b>	45°C	>100 000	>100 000	>100 000	>100 000	>100 000	>100 000
	55°C	>100 000	>100 000	>100 000	>100 000	>100 000	>100 000
	65°C	>100 000	>100 000	>100 000	>100 000	>100 000	>100 000
	75°C	>100 000	>100 000	>100 000	>100 000	>100 000	98 000
	85°C	>100 000	>100 000	>100 000	>100 000	81 000	73 000
<b>If max</b>	45°C	>100 000	>100 000	92 000	87 000	45 000	42 000
	55°C	>100 000	>100 000	92 000	87 000	45 000	42 000
	65°C	>100 000	>100 000	92 000	87 000	45 000	42 000
	75°C	>100 000	>100 000	92 000	87 000	45 000	42 000
	85°C	>100 000	>100 000	92 000	87 000	45 000	42 000

Calculated data based on LM80 LED data (12 000h)

for CJ G4, CN G3

Forward current	Tp temp.	L70 [h]		L80 [h]		L90 [h]	
		B50	B10	B50	B10	B50	B10
<b>If nom</b>	45°C	>102 000	>102 000	>102 000	>102 000	>102 000	>102 000
	55°C	>102 000	>102 000	>102 000	>102 000	>102 000	>102 000
	65°C	>102 000	>102 000	>102 000	>102 000	89 000	88 000
	75°C	>102 000	>102 000	>102 000	>102 000	75 000	74 000
	85°C	>102 000	>102 000	>102 000	>102 000	64 000	63 000
<b>If max</b>	45°C	>102 000	>102 000	>102 000	>102 000	>102 000	>102 000
	55°C	>102 000	>102 000	>102 000	>102 000	97 000	96 000
	65°C	>102 000	>102 000	>102 000	>102 000	82 000	81 000
	75°C	>102 000	>102 000	>102 000	>102 000	69 000	68 000
	85°C	>102 000	>102 000	>102 000	>102 000	59 000	58 000

Reported data based on LM80 LED data (17 000h)

## Round LED modules 400mm

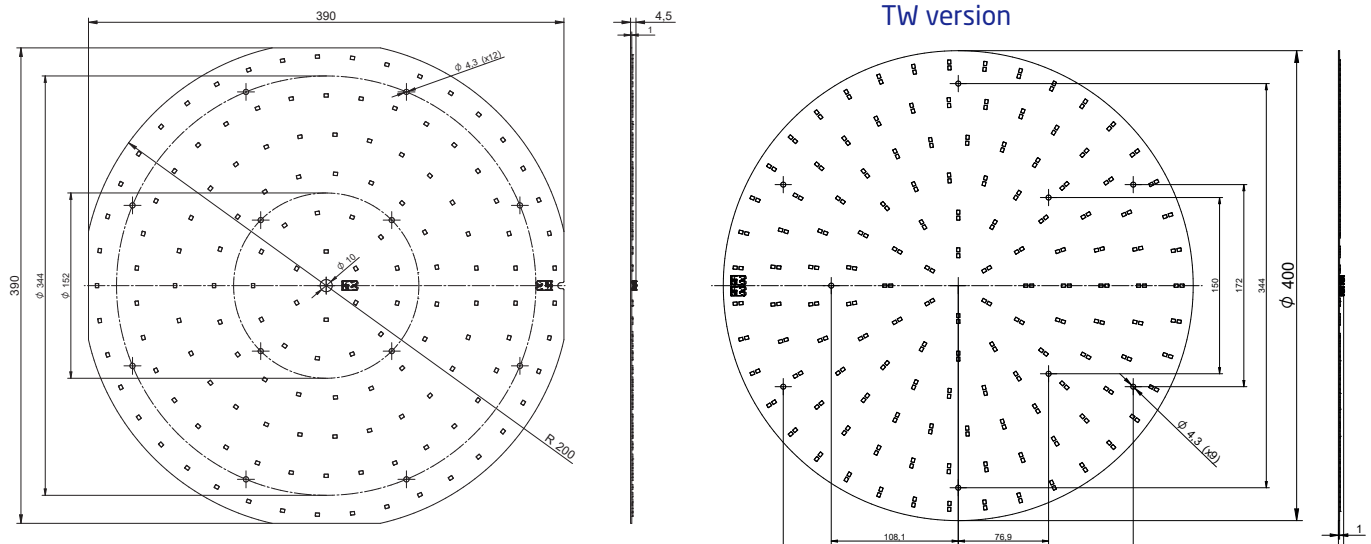
### Lumen maintenance

for EH1.1 G3

Forward current	Tp temp.	L70 [h]		L80 [h]		L90 [h]	
		B50	B10	B50	B10	B50	B10
If nom	45°C	>72 000	>72 000	>72 000	>72 000	>72 000	>72 000
	55°C	>72 000	>72 000	>72 000	>72 000	>72 000	>72 000
	65°C	>72 000	>72 000	>72 000	>72 000	>72 000	>72 000
	75°C	>72 000	>72 000	>72 000	>72 000	>72 000	>72 000
	85°C	>72 000	>72 000	>72 000	>72 000	>72 000	>72 000
If max	45°C	>72 000	>72 000	67 000	62 000	30 000	29 000
	55°C	>72 000	>72 000	66 000	61 000	30 000	28 000
	65°C	>72 000	>72 000	65 000	60 000	29 000	27 000
	75°C	>72 000	>72 000	65 000	59 000	29 000	26 000
	85°C	>72 000	>72 000	64 000	58 000	28 000	26 000

Calculated data based on LM80 LED data (12 000h)

### Dimensions



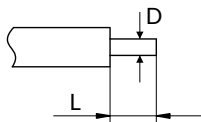
### Mounting

LED Modules cannot be exposed to tensile or compressive stresses. For this purpose it is necessary that the modules are assembled to a flat surface by only rounded head screws. Additionally plastic flat washer should be used to ensure creepage distance between screw's head and surface of the pcb. Max. torque for fixing: 0,5Nm.

LED modules are sensitive to electrostatic discharge (ESD). Follow safety regulations according to IEC 61340-5-1.

### Wiring

Wire cross section and strip length:



D - wire cross section (solid and flexible wires)	Min	Max
	0.2mm <sup>2</sup>	0.75mm <sup>2</sup>
	AWG 24	AWG 18

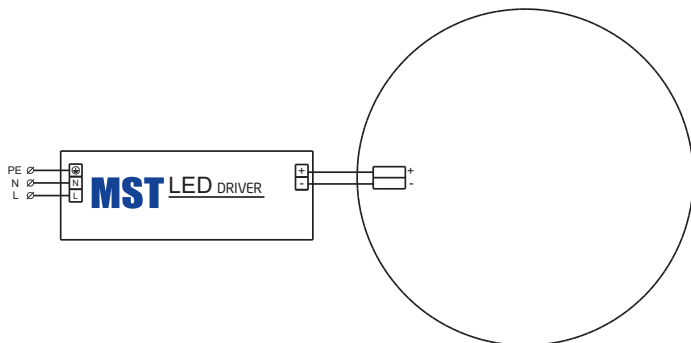
L - strip length	Min	Max
	8mm	9mm

Opening for the release of wires from the top with release pin Electroterminal art. 881 167 884:

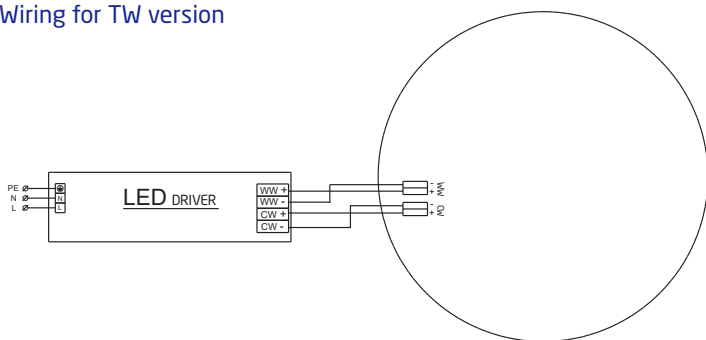


## Round LED modules 400mm

### Connections



### Wiring for TW version



### Energy Label / EPREL database

To obtain Energy Label for this product visit <https://eprel.ec.europa.eu/> and enter model identifier

Model identifier consists of 10 digits XXXX XXX XXX. It is printed directly on the LED module or on product label. This is the number you can see in EPREL database.

Ordering code consist of 12 digits XXXX XXX XXX46. Additional last two digits means packaging of the product.

### Ordering codes

Product name	Ordering code	Pieces per box	Pieces per pallet	Box dimensions [mm]
RdLED 400mm 4000lm 830 42V CJ G4	1010 147 77146	12	336	441 x 441 x 58
RdLED 400mm 4000lm 830 105V CJ G4	1010 137 55346	12	336	441 x 441 x 58
RdLED 400mm 4000lm 840 42V CJ G4	1010 147 77246	12	336	441 x 441 x 58
RdLED 400mm 4000lm 840 105V CJ G4	1010 137 68646	12	336	441 x 441 x 58
RdLED 400mm 4200lm 827-865 33V CN G3	1010 137 25046	12	336	441 x 441 x 58
RdLED 400mm 4000lm 830 42V CN G3	1010 147 76746	12	336	441 x 441 x 58
RdLED 400mm 4000lm 830 105V CN G3	1010 147 76946	12	336	441 x 441 x 58
RdLED 400mm 4000lm 840 42V CN G3	1010 147 76846	12	336	441 x 441 x 58
RdLED 400mm 4000lm 840 105V CN G3	1010 147 77046	12	336	441 x 441 x 58
RdLED 400mm 4000lm 830 42V LG G2	1010 147 76346	12	336	441 x 441 x 58
RdLED 400mm 4000lm 830 105V LG G2	1010 147 76546	12	336	441 x 441 x 58
RdLED 400mm 4000lm 840 42V LG G2	1010 147 76446	12	336	441 x 441 x 58
RdLED 400mm 4000lm 840 105V LG G2	1010 147 76646	12	336	441 x 441 x 58
RdLED 400mm 4200lm 927-965 33V EH1.1 G3	1010 127 72946	12	336	441 x 441 x 58