

## Round LED modules 315mm

### Product description

- Long life-time
- Re-workable push-in terminals enabling easy connection
- Compliance and approval: CE
- Small colour tolerance (MacAdam3)
- Tolerance range for optical and electrical  $\pm 10\%$
- Available CCT from 2200K to 6500K and CRI 80, 90 and 95



### RdLED 315mm Optimum CRI 80

Product name	Ordering code	Colour temp. [K]	If nominal [mA]	Luminous flux @ If nom & Tp $\Phi$ [lm]	Voltage @ If nom & Tp Vf [V]	Power @ If nom & Tp P [W]	Efficiency @ If nom & Tp [lm/W]	Max. current If [mA]
RdLED 315mm 4000lm 827-865 EMG 36V Optimum	101011727846	2700	700	3839	34	24	162	1500
Emergency light		6500	700	4157	34	24	175	1500
Emergency light		6500	450	222	3	1	174	900
RdLED 315mm 4000lm 830 EMG 24V Optimum	101011722346	3000	1050	3840	23	24	161	2500
Emergency light			450	204	3	1	158	900
RdLED 315mm 4000lm 830 EMG SSW 24V Optimum			1050	3840	23	24	161	2500
Emergency light	101011722546	3000	450	204	3	1	158	900
RdLED 315mm 4000lm 840 EMG 24V Optimum			1050	4036	23	24	169	2500
Emergency light			450	214	3	1	167	900
RdLED 315mm 4000lm 840 EMG SSW 24V Optimum	101011722646	4000	1050	4036	23	24	169	2500
Emergency light			450	214	3	1	167	900
Emergency light			450	214	3	1	167	900

### RdLED 315mm Optimum CRI 90

Product name	Ordering code	Colour temp. [K]	If nominal [mA]	Luminous flux @ If nom & Tp $\Phi$ [lm]	Voltage @ If nom & Tp Vf [V]	Power @ If nom & Tp P [W]	Efficiency @ If nom & Tp [lm/W]	Max. current If [mA]
RdLED 315mm 4000lm 927 24V EMG Opt G2	101011787146	2700	1150	3550	23	26	136	2400
Emergency light			450	173	3	1.3	134	900
RdLED 315mm 4000lm 927 24V EMG SSW Opt G2			1150	3550	23	26	136	2400
Emergency light	101011742546	3000	450	173	3	1.3	134	900
RdLED 315mm 4000lm 930 24V EMG Opt G2			1150	3813	23	26	146	2400
Emergency light			450	186	3	1.3	144	900
RdLED 315mm 4000lm 930 24V EMG SSW Opt G2	101011750946	3000	1150	3813	23	26	146	2400
Emergency light			450	186	3	1.3	144	900
RdLED 315mm 4000lm 940 24V EMG Opt G2			1150	4075	23	26	156	2400
Emergency light	101011742746	4000	450	199	3	1.3	154	900
RdLED 315mm 4000lm 940 24V EMG SSW Opt G2			1150	4075	23	26	156	2400
Emergency light			450	199	3	1.3	154	900

## Round LED modules 315mm

### Temperatures

#### Specification item

Tp	45°C	Temperature related to the performance parameters of the LED modules CRI 90
Tp	65°C	Temperature related to the performance parameters of the LED modules CRI 80
Tp rated	65°C	Maximum operating temperature to which the rated performance characteristics are declared
Tc	85°C	Highest permissible value for safe operation

### Electrical & Optical data

Specification item	Unit	Value
Classification acc. to IEC 62031	[V]	built-in
Energy Efficiency Class		A++
Working Voltage	[Vdc]	60
Beam angle	[deg]	120
Initial color consistency	[step]	3
Initial color coordinates		Acc. to CIE 1931
Photobiological safety		RG1 unlimited

### Certificates & standards

Specification item	Compliant
ENEC	No
CE	Yes
RoHS	Yes
REACH	Yes
Zhaga	No
IP rating	No Ip rating
Overheating protection	No

### Lumen maintenance

#### RecLED CRI 80

Forward current	Tp temperature	L70		L80		L90	
		B50	B10	B50	B10	B50	B10
If nom	45°C	>60,000	>60,000	>60,000	>60,000	>60,000	>60,000
	55°C	>60,000	>60,000	>60,000	>60,000	>60,000	>60,000
	65°C	>60,000	>60,000	>60,000	>60,000	>60,000	53,000
If max	45°C	>60,000	>60,000	>60,000	>60,000	>60,000	57,000
	55°C	>60,000	>60,000	>60,000	>60,000	>60,000	54,000
	65°C	>60,000	>60,000	>60,000	>60,000	>60,000	48,000

#### RecLED CRI 90

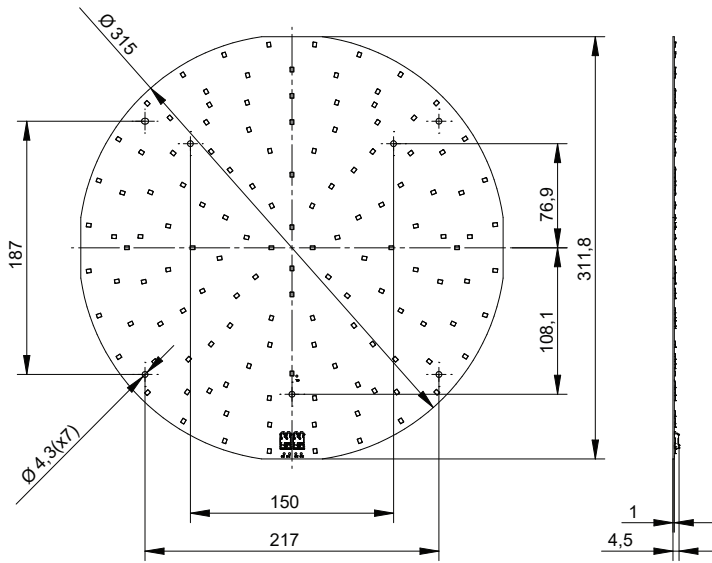
Forward current	Tp temperature	L70		L80		L90	
		B50	B10	B50	B10	B50	B10
If nom	45°C	>60,000	>60,000	>60,000	>60,000	52,000	50,000
	55°C	>60,000	>60,000	>60,000	>60,000	47,000	45,000
	65°C	>60,000	>60,000	>60,000	>60,000	42,000	41,000
If max	45°C	>60,000	>60,000	52,000	49,000	29,000	28,000
	55°C	>60,000	>60,000	50,000	46,000	27,000	26,000
	65°C	>60,000	>60,000	47,000	44,000	25,000	24,000

simulation based on LM80 LED data (10,000h)

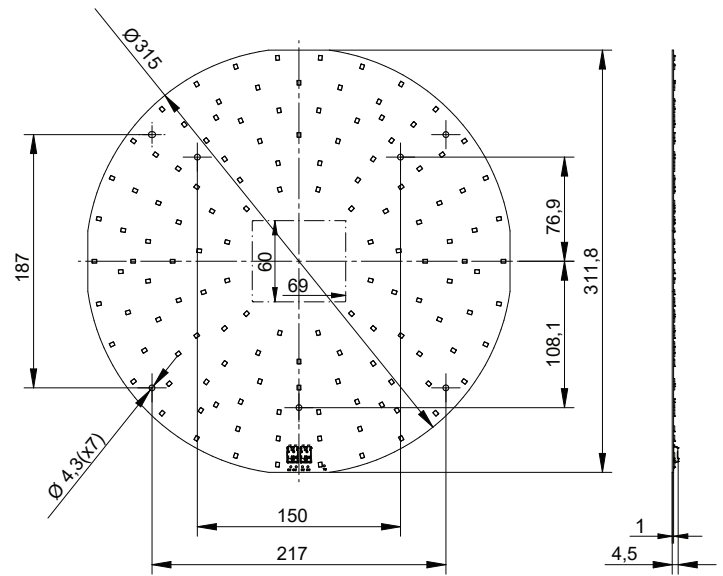
## Round LED modules 315mm

### Dimensions

RdLED 315mm



RdLED 315mm SSW



### Mounting

LED Modules cannot be exposed to tensile or compressive stresses.

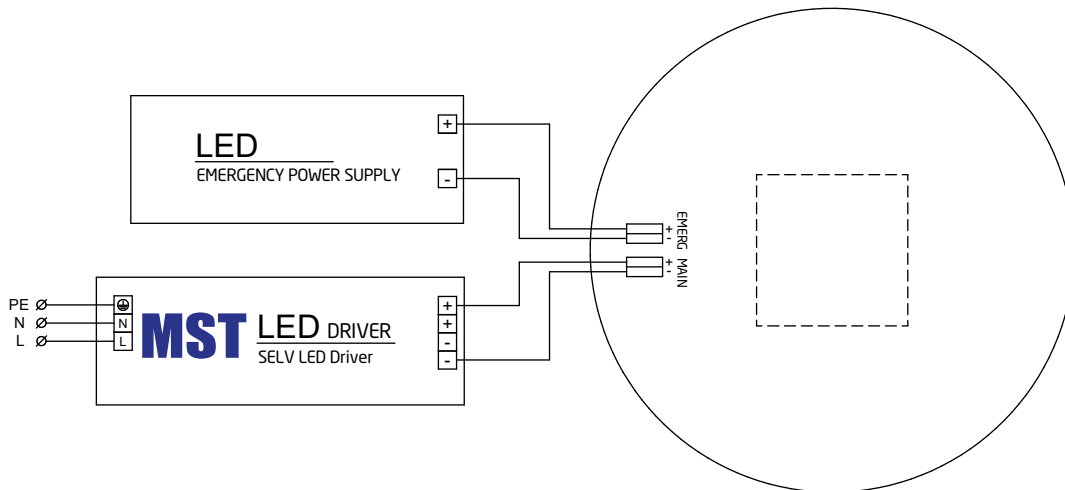
For this purpose it is necessary that the modules are assembled to a flat surface by only rounded head screws.

Additionally plastic flat washer should be used to ensure creepage distance between screw's head and surface of the pcb.

Max. torque for fixing: 0,5Nm

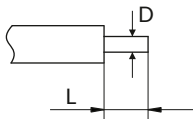
## Round LED modules 315mm

### Connections



### Wiring

Wire cross section and strip length:



D - wire cross section solid and flexible wires	Min	Max
	0.2mm <sup>2</sup>	0.75mm <sup>2</sup>
	AWG 18	AWG 24

L - strip length	Min	Max
	8mm	9mm

Opening for the release of wires from the top with release pin Electroterminal art. 881 167 884:

