

Linear LED modules 156x28mm DAISY-4x1

A linear solution for premium class indoor lighting. Optimized for LEDi's DAISY-4x1 optics.

Product description

- Long life-time
- Built-in, constant current LED module
- Re-workable push-in terminals enabling easy connection
- Compliance and approval: CE, ENEC
- 2C - two connectors for series system, also recognized as a high voltage system - non-SELV
- Available CCT from 2700K to 6500K and CRI 80, 90



LinLED CRI 80 Optimum G1

Product name	Ordering code	Colour temperature [K]	Current nominal If nom [mA]	Luminous flux* Φ [lm]	Voltage* Vf [V]	Power* P [W]	Efficacy* [lm/W]	Current maximum If max [mA]
LinLED 156x28mm 2x200lm 827-865 2x2C 12V Opt G1	1010 117 46746	2700	110	193	12	1.3	151	150
		6500	110	209	12	1.3	163	150
LinLED 156x28mm 2x400lm 827-865 2x2C 12V Opt G1	1010 117 49846	2700	220	386	12	2.6	151	300
		6500	220	418	12	2.6	163	300
LinLED 156x28mm 400lm 830 2C 12V Opt G1	1010 117 46846	3000	220	397	12	2.6	155	300
LinLED 156x28mm 800lm 830 2C 12V Opt G1	1010 117 49946		440	794	12	5.1	155	600
LinLED 156x28mm 400lm 840 2C 12V Opt G1	1010 117 46946	4000	220	418	12	2.6	163	300
LinLED 156x28mm 800lm 840 2C 12V Opt G1	1010 117 50046		440	835	12	5.1	163	600

LinLED CRI 90 Optimum G1

Product name	Ordering code	Colour temperature [K]	Current nominal If nom [mA]	Luminous flux* Φ [lm]	Voltage* Vf [V]	Power* P [W]	Efficacy* [lm/W]	Current maximum If max [mA]
LinLED 156x28mm 2x400lm 927-965 2x2C 12V Opt G1	1010 117 65446	2700	260	373	12	3.1	119	300
		6500	260	428	12	3.1	137	300

*At nominal current and T_p

Tolerance range for optical and electrical $\pm 10\%$

Temperature & humidity

Specification item	Unit	Value
T _p	[°C]	45
T _{p rated}	[°C]	65
T _c	[°C]	85
Relative humidity (non-condensing)	[%]	5 ... 85
Storage ambient temperature	[°C]	-25 ... +85
Storage relative humidity (non-condensing)	[%]	5 ... 85

T_p - Temperature related to the performance parameters of the LED modules

T_{p rated} - Maximum operating temperature to which the rated performance characteristics are declared

T_c - Highest permissible value for safe operation

Linear LED modules 156x28mm DAISY-4x1

Technical data

Specification item	Unit	Value
Classification acc. to IEC 62031		built-in
Energy Efficiency Class		A++
Working voltage	[Vdc]	120
Beam angle	[deg]	120
Initial color consistency	[SDCM]	3
Initial color coordinates		Acc. to CIE 1931
Photobiological safety		RG1 unlimited

Certificates & standards

Specification item	Compliant
ENEC	Yes
CE	Yes
RoHS	Yes
REACH	Yes
Zhaga	No
IP rating	No IP rating

Lumen maintenance

LinLED CRI 80

Forward current	Tp temp.	L70 [h]		L80 [h]		L90 [h]	
		B50	B10	B50	B10	B50	B10
If nom	45°C	>72 000	>72 000	>72 000	>72 000	61 000	50 000
	55°C	>72 000	>72 000	>72 000	>72 000	61 000	50 000
	65°C	>72 000	>72 000	>72 000	>72 000	58 000	48 000
	75°C	>72 000	>72 000	>72 000	>72 000	56 000	47 000
	85°C	>72 000	>72 000	>72 000	>72 000	55 000	46 000
If max	45°C	>72 000	>72 000	>72 000	>72 000	51 000	39 000
	55°C	>72 000	>72 000	>72 000	>72 000	51 000	39 000
	65°C	>72 000	>72 000	>72 000	>72 000	48 000	37 000
	75°C	>72 000	>72 000	>72 000	>72 000	45 000	35 000
	85°C	>72 000	>72 000	>72 000	69 000	43 000	34 000

reported data based on LM80 LED data (@65mA 17000h / @160mA & 200mA 12000h)

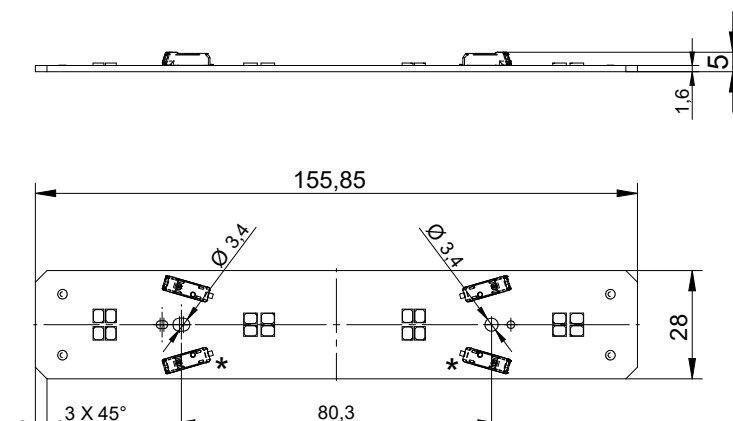
LinLED CRI 80

Forward current	Tp temp.	L70 [h]		L80 [h]		L90 [h]	
		B50	B10	B50	B10	B50	B10
If nom	45°C	>60 000	>60 000	>60 000	>60 000	38 000	37 000
	55°C	>60 000	>60 000	>60 000	58 000	32 000	30 000
	65°C	>60 000	>60 000	52 000	48 000	26 000	24 000
If max	45°C	>60 000	>60 000	52 000	49 000	29 000	28 000
	55°C	>60 000	>60 000	47 000	44 000	25 000	24 000
	65°C	>60 000	58 000	41 000	38 000	22 000	19 000

reported data based on LM80 LED data (10 000h)

Dimensions

Product name	Ordering code	Connectors (*)
LinLED 156x28mm 2x200lm 827-865 2x2C 12V Opt G1	1010 117 46746	Yes
LinLED 156x28mm 2x400lm 827-865 2x2C 12V Opt G1	1010 117 49846	Yes
LinLED 156x28mm 400lm 830 2C 12V Opt G1	1010 117 46846	No
LinLED 156x28mm 800lm 830 2C 12V Opt G1	1010 117 49946	No
LinLED 156x28mm 400lm 840 2C 12V Opt G1	1010 117 46946	No
LinLED 156x28mm 800lm 840 2C 12V Opt G1	1010 117 50046	No
LinLED 156x28mm 2x400lm 927-965 2x2C 12V Opt G1	1010 117 65446	Yes
LinLED 156x28mm 800lm 940 2C 12V Opt G1	1010 117 75446	No



Linear LED modules 156x28mm DAISY-4x1

Mounting

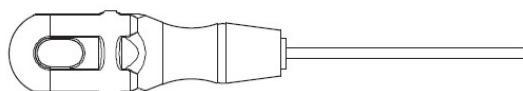
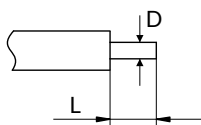
LED Modules cannot be exposed to tensile or compressive stresses. For this purpose it is necessary that the modules are assembled to a flat surface by only rounded head screws. Additionally plastic flat washer should be used to ensure creepage distance between screw's head and surface of the pcb. Max. torque for fixing: 0,5Nm.

LED modules are sensitive to electrostatic discharge (ESD). Follow safety regulations according to IEC 61340-5-1.

Wiring

Wire cross section and strip length:

Opening for the release of wires with contact opening tool AVX art. 06-9296-7001-01-000:



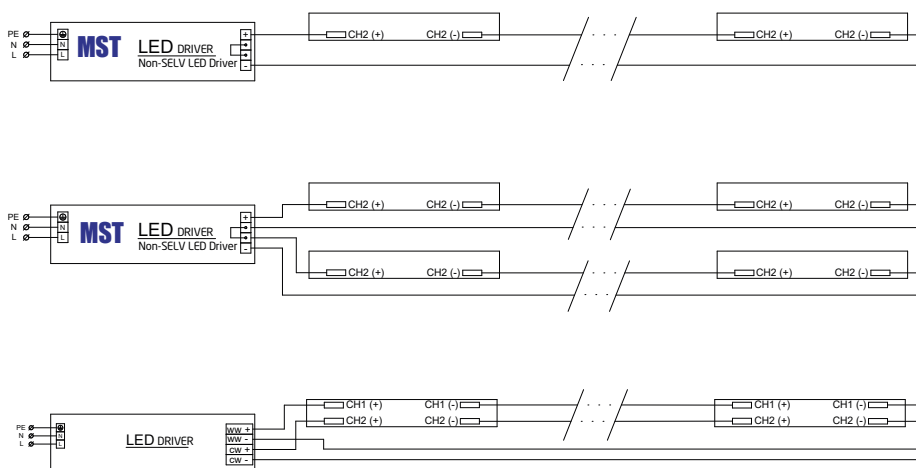
D - wire cross section (solid and flexible wires)	Min	Max
	0.13mm ²	0.8mm ²
	AWG 26	AWG 18

L - strip length	Min	Max
	4mm	5mm

Connections

Max number of modules	Unit	Series	Parallel
LinLED 156x28mm...	[pcs]	23	-

Wiring for series connection system (2C)



Ordering codes

Product name	Ordering code	Pieces per box	Pieces per pallet	Box dimensions [mm]
LinLED 156x28mm 2x200lm 827-865 2x2C 12V Opt G1	1010 117 46746	96	18240	248 x 175 x 66
LinLED 156x28mm 2x400lm 827-865 2x2C 12V Opt G1	1010 117 49846	96	18240	248 x 175 x 66
LinLED 156x28mm 400lm 830 2C 12V Opt G1	1010 117 46846	96	18240	248 x 175 x 66
LinLED 156x28mm 800lm 830 2C 12V Opt G1	1010 117 49946	96	18240	248 x 175 x 66
LinLED 156x28mm 400lm 840 2C 12V Opt G1	1010 117 46946	96	18240	248 x 175 x 66
LinLED 156x28mm 800lm 840 2C 12V Opt G1	1010 117 50046	96	18240	248 x 175 x 66
LinLED 156x28mm 2x400lm 927-965 2x2C 12V Opt G1	1010 117 65446	96	18240	248 x 175 x 66
LinLED 156x28mm 800lm 940 2C 12V Opt G1	1010 117 75446	96	18240	248 x 175 x 66