

## Outdoor LED modules G2

A rectangular solution for outdoor lighting. Compatible with standard 2x2 optics for example LEDiL Strada 2x2.

### Product description

- Long life-time
- Built-in, constant current LED module
- Re-workable push-in terminals enabling easy connection
- Compliance and approval: CE, ENEC
- Available CCT from 2200K to 6500K and CRI 80, 90
- Minimum driving current 200mA



### RecLED 2x4 G2

	Ordering code	Colour temperature [K]	Current nominal If nom [mA]	Luminous flux* Φ [lm]	Voltage* Vf [V]	Power* P [W]	Efficacy* [lm/W]	Current maximum If max [mA]
RecLED 122x50mm 1900lm 730 2x4 Opt G2	1010 117 63146	3000	520	1854	22	11	163	1500
RecLED 122x50mm 1900lm 740 2x4 Opt G2	1010 117 63246	4000	520	1972	22	11	173	1500

### RecLED 2x6 G2

	Ordering code	Colour temperature [K]	Current nominal If nom [mA]	Luminous flux* Φ [lm]	Voltage* Vf [V]	Power* P [W]	Efficacy* [lm/W]	Current maximum If max [mA]
RecLED 173x50mm 2900lm 730 2x6 Opt G2	1010 117 63446	3000	520	2782	33	17	163	1500
RecLED 173x50mm 2900lm 740 2x6 Opt G2	1010 117 63546	4000	520	2958	33	17	173	1500

### RecLED 2x8 G2

	Ordering code	Colour temperature [K]	Current nominal If nom [mA]	Luminous flux* Φ [lm]	Voltage* Vf [V]	Power* P [W]	Efficacy* [lm/W]	Current maximum If max [mA]
RecLED 224x50mm 3800lm 730 2x8 Opt G2	1010 117 63746	3000	520	3591	44	23	163	1500
RecLED 224x50mm 3800lm 740 2x8 Opt G2	1010 117 63846	4000	520	3944	44	23	173	1500

\*At nominal current and T<sub>p</sub>  
Tolerance range for optical and electrical ±10%

### Temperature & humidity

Specification item	Unit	Value
T <sub>p</sub>	[°C]	75
T <sub>p</sub> rated	[°C]	75
T <sub>c</sub>	[°C]	95
Relative humidity (non-condensing)	[%]	5 ... 85
Storage ambient temperature	[°C]	-25 ... +85
Storage relative humidity (non-condensing)	[%]	5 ... 85

T<sub>p</sub> - Temperature related to the performance parameters of the LED modules  
T<sub>p</sub> rated - Maximum operating temperature to which the rated performance characteristics are declared  
T<sub>c</sub> - Highest permissible value for safe operation

## Outdoor LED modules G2

### Technical data

Specification item	Unit	Value
Classification acc. to IEC 62031	[V]	built-in
Energy Efficiency Class		A++
Working voltage	[Vdc]	420
Beam angle	[deg]	120
Initial color consistency	[SDCM]	5
Initial color coordinates		Acc. to CIE 1931
Photobiological safety		RG2 (RG1 @ >0,5m distance)

### Certificates & standards

Specification item	Compliant
ENEC	Yes
CE	Yes
RoHS	Yes
REACH	Yes
Zhaga	Comply with book 15
IP rating	No IP rating

### Lumen maintenance

#### RecLED CRI 70

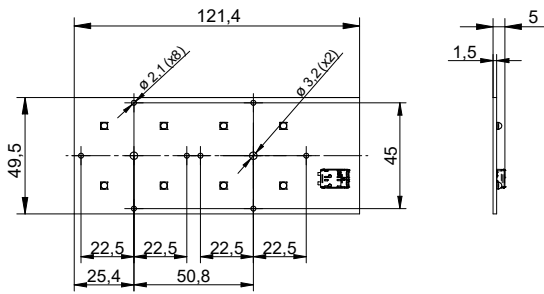
Forward current	Tp temperature	L70 [h]		L80 [h]		L90 [h]	
		B50	B10	B50	B10	B50	B10
If nom	75°C	>100 000	>100 000	>100 000	>100 000	>100 000	>100 000
	80°C	>100 000	>100 000	>100 000	>100 000	>100 000	>100 000
	85°C	>100 000	>100 000	>100 000	>100 000	>100 000	>100 000
	90°C	>100 000	>100 000	>100 000	>100 000	>100 000	>100 000
	95°C	>100 000	>100 000	>100 000	>100 000	>100 000	>100 000
If max	75°C	>100 000	>100 000	>100 000	>100 000	>100 000	>100 000
	80°C	>100 000	>100 000	>100 000	>100 000	>100 000	>100 000
	85°C	>100 000	>100 000	>100 000	>100 000	82 000	77 000
	90°C	>100 000	>100 000	>100 000	>100 000	58 000	54 000
	95°C	>100 000	>100 000	>100 000	>100 000	41 000	38 000

simulation based on LM80 LED data (10 000h)

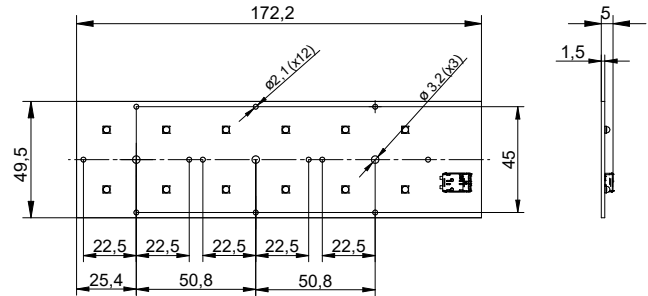
## Outdoor LED modules G2

### Dimensions

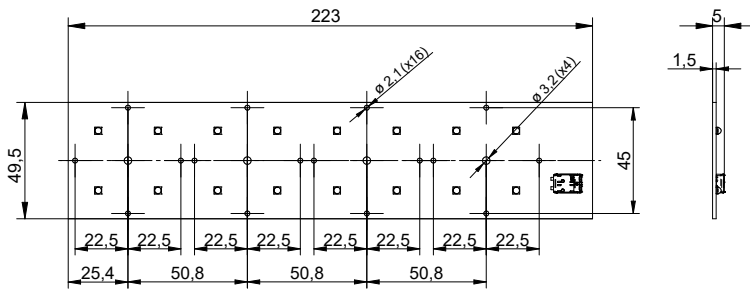
RecLED 122x50mm 2x4



RecLED 173x50mm 2x6

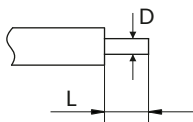


RecLED 224x50mm 2x8



### Wiring

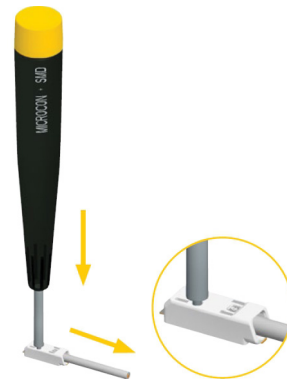
Wire cross section and strip length:



D - wire cross section <i>solid and flexible wires</i>	Min	Max
	0.2mm <sup>2</sup>	0.75mm <sup>2</sup>
	AWG 18	AWG 24

L - strip length	Min	Max
	8mm	9mm

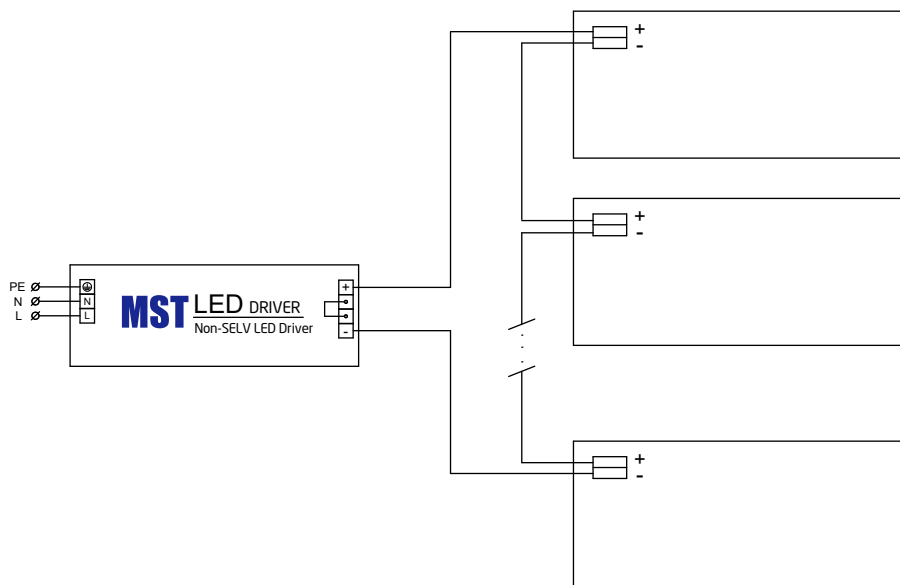
Opening for the release of wires from the top with release pin Electroterminal art. 881 167 884:



## Outdoor LED modules G2

### Connections

Max number of modules	Unit	Series	Parallel
RecLED 122x50mm	[pcs]	20	-
RecLED 173x50mm	[pcs]	12	-
RecLED 224x50mm	[pcs]	9	-



### Mounting

LED Modules cannot be exposed to tensile or compressive stresses. For this purpose it is necessary that the modules are assembled to a flat surface by only rounded head screws. Additionally plastic flat washer should be used to ensure creepeage distance between screw's head and surface of the pcb. Max. torque for fixing: 0,5Nm.

LED modules are sensitive to electrostatic discharge (ESD). Follow safety regulations according to IEC 61340-5-1.

### Ordering codes

Specification item	Ordering code	Pieces per box	Pieces per pallet	Box dimensions [mm]	Product weight [g]	Gross weight [g]
RecLED 122x50mm 1900lm 730 2x4 Opt G2	1010 117 63146	40	11520	238 x 140 x 61	26	350
RecLED 122x50mm 1900lm 740 2x4 Opt G2	1010 117 63246	40	11520	238 x 140 x 61	26	350
RecLED 173x50mm 2900lm 730 2x6 Opt G2	1010 117 63446	40	8000	233 x 191 x 61	33	320
RecLED 173x50mm 2900lm 740 2x6 Opt G2	1010 117 63546	40	8000	233 x 191 x 61	33	320
RecLED 224x50mm 3800lm 730 2x8 Opt G2	1010 117 63746	36	6840	248 x 175 x 66	44	350
RecLED 224x50mm 3800lm 740 2x8 Opt G2	1010 117 63846	36	6840	248 x 175 x 66	44	350