

Outdoor LED modules

A rectangular solution for outdoor lighting. Compatible with standard 2x2 optics for example LEDiL's STRADA-2x2.

Product description

- Long life-time
- Built-in, constant current LED module
- Re-workable push-in terminals enabling easy connection
- Compliance and approval: CE, ENEC, ENEC +
- Available CCT from 2700K to 6500K and CRI 70, 80, 90, 95



RecLED 122x50mm 2x4 CRI 70 Optimum G2

Product name	Ordering code	Colour temperature [K]	Current nominal If nom [mA]	Luminous flux ¹ φ [lm]	Useful luminous flux ² [lm]	Voltage ¹ Vf [V]	Power ¹ P [W]	Efficacy ¹ [lm/W]	Current minimum If min ³ [mA]	Current maximum If max [mA]	Energy Efficiency Class
RecLED 122x50mm 1900lm 730 2x4 Opt G2	1010 117 63146	3000	500	1905	2053	22	11	172	100	1500	C
RecLED 122x50mm 1900lm 740 2x4 Opt G2	1010 117 63246	4000	500	2019	2175	22	11	183	100	1500	C

RecLED 173x50mm 2x6 CRI 70 Optimum G2

Product name	Ordering code	Colour temperature [K]	Current nominal If nom [mA]	Luminous flux ¹ φ [lm]	Useful luminous flux ² [lm]	Voltage ¹ Vf [V]	Power ¹ P [W]	Efficacy ¹ [lm/W]	Current minimum If min ³ [mA]	Current maximum If max [mA]	Energy Efficiency Class
RecLED 173x50mm 2900lm 730 2x6 Opt G2	1010 117 63446	3000	500	2858	3079	33	17	172	100	1500	C
RecLED 173x50mm 2900lm 740 2x6 Opt G2	1010 117 63546	4000	500	3029	3263	33	17	183	100	1500	C

RecLED 224x50mm 2x8 CRI 70 Optimum G2

Product name	Ordering code	Colour temperature [K]	Current nominal If nom [mA]	Luminous flux ¹ φ [lm]	Useful luminous flux ² [lm]	Voltage ¹ Vf [V]	Power ¹ P [W]	Efficacy ¹ [lm/W]	Current minimum If min ³ [mA]	Current maximum If max [mA]	Energy Efficiency Class
RecLED 224x50mm 3800lm 730 2x8 Opt G2	1010 117 63746	3000	500	3811	4106	44	22	172	200	1500	C
RecLED 224x50mm 3800lm 740 2x8 Opt G2	1010 117 63846	4000	500	4038	4351	44	22	183	200	1500	C

¹At nominal current and T_p

²At nominal current and 25°C

³It is recommended not to operate below minimum current in order to avoid un-even brightness
Tolerance range for optical and electrical ±10%

Temperature & humidity

Specification item	Unit	Value
T _p	[°C]	75
T _p rated	[°C]	75
T _c	[°C]	95
Relative humidity (non-condensing)	[%]	5 ... 85
Storage ambient temperature	[°C]	-25 ... +85
Storage relative humidity (non-condensing)	[%]	5 ... 85

T_p - Temperature related to the performance parameters of the LED modules

T_p rated - Maximum operating temperature to which the rated performance characteristics are declared

T_c - Highest permissible value for safe operation

Technical data

Specification item	Unit	Value
Classification acc. to IEC 62031		built-in
Working voltage	[Vdc]	420
Beam angle	[deg]	120
Initial color consistency	[SDCM]	5
Photobiological safety		RG2 (RG1 at >0.5m distance)

Outdoor LED modules

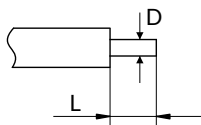
Mounting

LED Modules cannot be exposed to tensile or compressive stresses. For this purpose it is necessary that the modules are assembled to a flat surface by only rounded head screws. Additionally plastic flat washer should be used to ensure creepage distance between screw's head and surface of the pcb. Max. torque for fixing: 0,5Nm.

LED modules are sensitive to electrostatic discharge (ESD). Follow safety regulations according to IEC 61340-5-1.

Wiring

Wire cross section and strip length:



D - wire cross section (solid and flexible wires)	Min	Max
	0.2mm ²	0.75mm ²
	AWG 24	AWG 18

L - strip length	Min	Max
	8mm	9mm

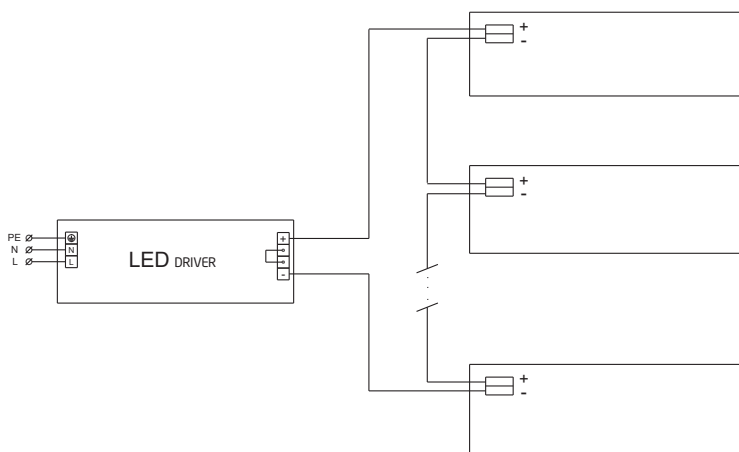
Opening for the release of wires from the top with release pin Electroterminal art. 881 167 884:



Connections

Max number of modules	Unit	Series	Parallel
RecLED 122x50mm 2x4	[pcs]	16	-
RecLED 173x50mm 2x6	[pcs]	11	-
RecLED 224x50mm 2x8	[pcs]	8	-

Wiring for series connection system



Energy Label / EPREL database

To obtain Energy Label for this product visit <https://eprel.ec.europa.eu/> and enter model identifier

Model identifier consists of 10 digits XXXX XXX XXX. It is printed directly on the LED module or on product label. This is the number you can see in EPREL database.

Ordering code consist of 12 digits XXXX XXX XXX46. Additional last two digits means packaging of the product.

Outdoor LED modules

Ordering codes

Product name	Ordering code	Pieces per box	Pieces per pallet	Box dimensions [mm]
RecLED 122x50mm 1900lm 730 2x4 Opt G2	1010 117 63146	40	11520	238 x 140 x 61
RecLED 122x50mm 1900lm 740 2x4 Opt G2	1010 117 63246	40	11520	238 x 140 x 61
RecLED 173x50mm 2900lm 730 2x6 Opt G2	1010 117 63446	64	8640	238 x 238 x 91
RecLED 173x50mm 2900lm 740 2x6 Opt G2	1010 117 63546	64	8640	238 x 238 x 91
RecLED 224x50mm 3800lm 730 2x8 Opt G2	1010 117 63746	24	5427	248 x 175 x 66
RecLED 224x50mm 3800lm 740 2x8 Opt G2	1010 117 63846	24	5427	248 x 175 x 66