

Round LED modules 530mm & 1/2 530mm

Product description

- Long life-time
- Built-in, constant current LED module
- Re-workable push-in terminals enabling easy connection
- Compliance and approval: CE, ENEC
- Available CCT from 2200K to 6500K and CRI 80, 90 and 95



RdLED CRI 80 Optimum G2

Product name	Ordering code	Colour temperature [K]	Current nominal If nom [mA]	Luminous flux* Φ [lm]	Voltage* Vf [V]	Power* P [W]	Efficacy* [lm/W]	Current maximum If max [mA]
RdLED 530mm 4000lm 830 126V Opt G2	1010 117 55246	3000	185	3840	115	21	181	960
RdLED 530mm 4000lm 830 42V Opt G2	1010 117 55046		560	3874	38	22	180	2880
RdLED 530mm 4000lm 840 126V Opt G2	1010 117 55346	4000	185	4036	115	21	190	960
RdLED 530mm 4000lm 840 42V Opt G2	1010 117 55146		560	4071	38	22	189	2880

RdLED CRI 80 Optimum G1

Product name	Ordering code	Colour temperature [K]	Current nominal If nom [mA]	Luminous flux* Φ [lm]	Voltage* Vf [V]	Power* P [W]	Efficacy* [lm/W]	Current maximum If max [mA]
RdLED 1/2 530mm 3000lm 827-865 39V Opt G1	1010 117 41846	2700	470	2848	36	17	168	1200
		6500	470	3083	36	17	182	1200

*At nominal current and T_p
Tolerance range for optical and electrical ±10%

Temperature & humidity

Specification item	Unit	Value
T _p	[°C]	45
T _{p rated}	[°C]	65
T _c	[°C]	85
Relative humidity (non-condensing)	[%]	5 ... 85
Storage ambient temperature	[°C]	-25 ... +85
Storage relative humidity (non-condensing)	[%]	5 ... 85

T_p - Temperature related to the performance parameters of the LED modules
T_{p rated} - Maximum operating temperature to which the rated performance characteristics are declared
T_c - Highest permissible value for safe operation

Round LED modules 530mm & 1/2 530mm

Technical data

Specification item	Unit	Value
Classification acc. to IEC 62031	[V]	built-in
Energy Efficiency Class		A++
Working voltage	[Vdc]	340
Beam angle	[deg]	120
Initial color consistency	[SDCM]	3
Initial color coordinates		Acc. to CIE 1931
Photobiological safety		RG1 unlimited

Certificates & standards

Specification item	Compliant
ENEC	Yes
CE	Yes
RoHS	Yes
REACH	Yes
Zhaga	No
IP rating	No IP rating

Lumen maintenance

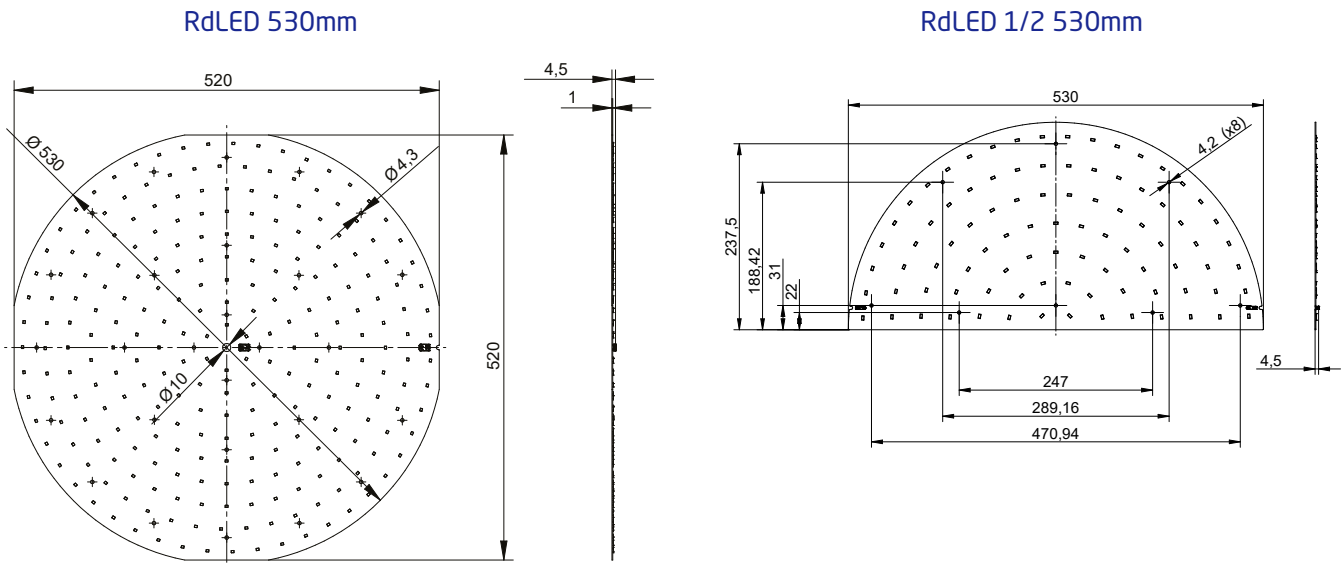
RdLED CRI 80

Forward current	Tp temperature	L70 [h]		L80 [h]		L90 [h]	
		B50	B10	B50	B10	B50	B10
If nom	45°C	>60 000	>60 000	>60 000	>60 000	>60 000	>60 000
	55°C	>60 000	>60 000	>60 000	>60 000	>60 000	>60 000
	65°C	>60 000	>60 000	>60 000	>60 000	>60 000	57 000
If max	45°C	>60 000	>60 000	>60 000	>60 000	>60 000	57 000
	55°C	>60 000	>60 000	>60 000	>60 000	>60 000	57 000
	65°C	>60 000	>60 000	>60 000	>60 000	59 000	51 000

reported data based on LM80 LED data (10 000h)

Round LED modules 530mm & 1/2 530mm

Dimensions



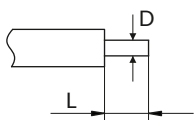
Mounting

LED Modules cannot be exposed to tensile or compressive stresses. For this purpose it is necessary that the modules are assembled to a flat surface by only rounded head screws. Additionally plastic flat washer should be used to ensure creepage distance between screw's head and surface of the pcb. Max. torque for fixing: 0,5Nm.

LED modules are sensitive to electrostatic discharge (ESD). Follow safety regulations according to IEC 61340-5-1.

Wiring

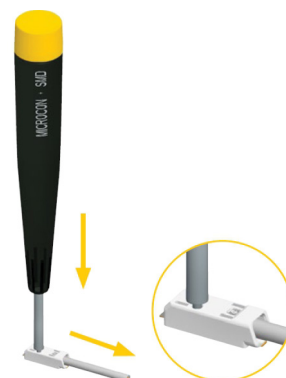
Wire cross section and strip length:



D - wire cross section <i>solid and flexible wires</i>	Min	Max
	0.2mm ²	0.75mm ²
	AWG 24	AWG 18

L - strip length	Min	Max
	8mm	9mm

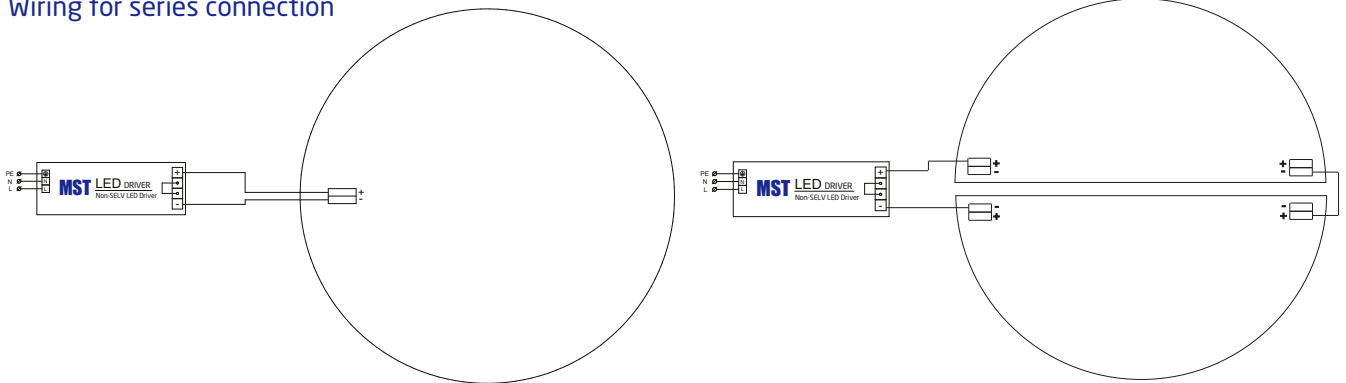
Opening for the release of wires from the top with release pin Electroterminal art. 881 167 884:



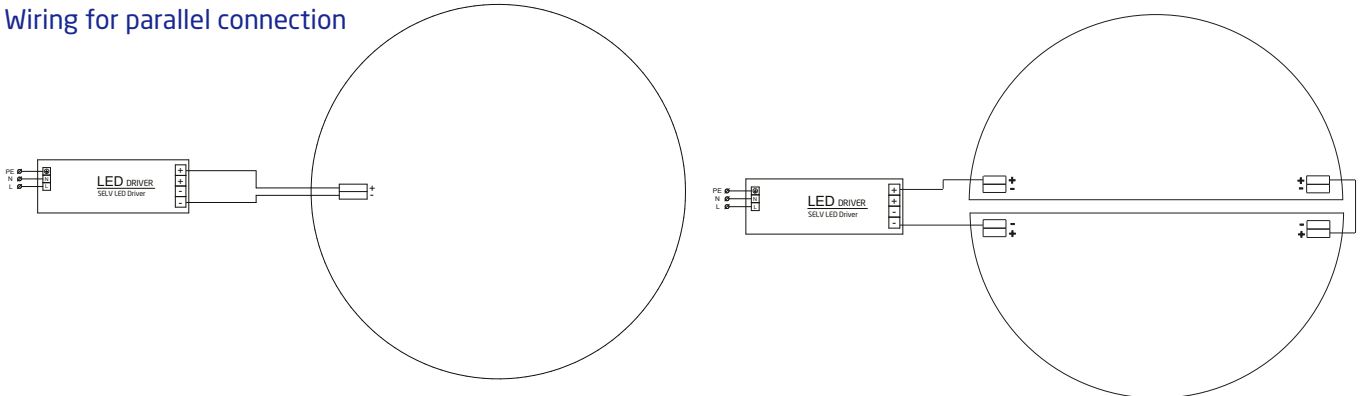
Round LED modules 530mm & 1/2 530mm

Connections

Wiring for series connection



Wiring for parallel connection



Ordering codes

Specification item	Ordering code	Pieces per box	Pieces per pallet	Box dimensions [mm]
RdLED 530mm 4000lm 830 126V Opt G2	1010 117 55246	12	240	538 x 538 x 58
RdLED 530mm 4000lm 830 42V Opt G2	1010 117 55046	12	240	538 x 538 x 58
RdLED 530mm 4000lm 840 126V Opt G2	1010 117 55346	12	240	538 x 538 x 58
RdLED 530mm 4000lm 840 42V Opt G2	1010 117 55146	12	240	538 x 538 x 58
RdLED 1/2 530mm 3000lm 827-865 39V Opt G1	1010 117 41846	10	672	548 x 283 x 58