

## Outdoor LED modules 5050

A rectangular solution for outdoor lighting. Compatible with standard 2x2 optics for example LEDiL's STRADA-2x2-5050.

### Product description

- Long life-time
- Built-in, constant current LED module
- Re-workable push-in terminals enabling easy connection
- Compliance and approval: CE, ENEC, ENEC+
- Other CCT and CRI on request



The number and type of connectors may vary depending on the type of module.



### RecLED 122x50mm 2x4 5050 CRI 70 Optimum G2

Product name	Ordering code	Colour temperature [K]	Current nominal If nom [mA]	Luminous flux <sup>1</sup> φ [lm]	Useful luminous flux <sup>2</sup> [lm]	Voltage <sup>1</sup> Vf [V]	Power <sup>1</sup> P [W]	Efficacy <sup>1</sup> [lm/W]	Current minimum If min <sup>2</sup> [mA]	Current maximum If max [mA]	Energy Efficiency Class
RecLED 122x50mm 1900lm 730 2x4 5050 Opt G2	1010 117 71046	3000	460	1836	1975	22	10	184	80	1600	C
RecLED 122x50mm 1900lm 740 2x4 5050 Opt G2	1010 117 71146	4000	460	1923	2070	22	10	193	80	1600	B

### RecLED 122x50mm 2x4 5050 CRI 70 NTC Optimum G2

Product name	Ordering code	Colour temperature [K]	Current nominal If nom [mA]	Luminous flux <sup>1</sup> φ [lm]	Useful luminous flux <sup>2</sup> [lm]	Voltage <sup>1</sup> Vf [V]	Power <sup>1</sup> P [W]	Efficacy <sup>1</sup> [lm/W]	Current minimum If min <sup>2</sup> [mA]	Current maximum If max [mA]	Energy Efficiency Class
RecLED 122x50mm 1900lm 722 2x4 5050 NTC Opt G2	1010 137 53746	2200	460	1573	1693	22	10	158	80	1600	D
RecLED 122x50mm 1900lm 727 2x4 5050 NTC Opt G2	1010 137 09746	2700	460	1705	1834	22	10	171	80	1600	C
RecLED 122x50mm 1900lm 730 2x4 5050 NTC Opt G2	1010 127 86646	3000	460	1836	1975	22	10	184	80	1600	C
RecLED 122x50mm 1900lm 740 2x4 5050 NTC Opt G2	1010 127 75146	4000	460	1923	2070	22	10	193	80	1600	B

### RecLED 173x50mm 2x6 5050 CRI 70 Optimum G2

Product name	Ordering code	Colour temperature [K]	Current nominal If nom [mA]	Luminous flux <sup>1</sup> φ [lm]	Useful luminous flux <sup>2</sup> [lm]	Voltage <sup>1</sup> Vf [V]	Power <sup>1</sup> P [W]	Efficacy <sup>1</sup> [lm/W]	Current minimum If min <sup>2</sup> [mA]	Current maximum If max [mA]	Energy Efficiency Class
RecLED 173x50mm 2900lm 730 2x6 5050 Opt G2	1010 117 71246	3000	460	2754	2963	33	15	184	80	1600	C
RecLED 173x50mm 2900lm 740 2x6 5050 Opt G2	1010 117 71346	4000	460	2885	3104	33	15	193	80	1600	B

### RecLED 173x50mm 2x6 5050 CRI 70 NTC Optimum G2

Product name	Ordering code	Colour temperature [K]	Current nominal If nom [mA]	Luminous flux <sup>1</sup> φ [lm]	Useful luminous flux <sup>2</sup> [lm]	Voltage <sup>1</sup> Vf [V]	Power <sup>1</sup> P [W]	Efficacy <sup>1</sup> [lm/W]	Current minimum If min <sup>2</sup> [mA]	Current maximum If max [mA]	Energy Efficiency Class
RecLED 173x50mm 2900lm 722 2x6 5050 NTC Opt G2	1010 137 53846	2200	460	2360	2540	33	15	158	80	1600	D
RecLED 173x50mm 2900lm 727 2x6 5050 NTC Opt G2	1010 137 09846	2700	460	2557	2752	33	15	171	80	1600	C
RecLED 173x50mm 2900lm 730 2x6 5050 NTC Opt G2	1010 127 86746	3000	460	2754	2963	33	15	184	80	1600	C
RecLED 173x50mm 2900lm 740 2x6 5050 NTC Opt G2	1010 127 75246	4000	460	2885	3104	33	15	193	80	1600	B

### RecLED 224x50mm 2x8 5050 CRI 70 Optimum G2

Product name	Ordering code	Colour temperature [K]	Current nominal If nom [mA]	Luminous flux <sup>1</sup> φ [lm]	Useful luminous flux <sup>2</sup> [lm]	Voltage <sup>1</sup> Vf [V]	Power <sup>1</sup> P [W]	Efficacy <sup>1</sup> [lm/W]	Current minimum If min <sup>2</sup> [mA]	Current maximum If max [mA]	Energy Efficiency Class
RecLED 224x50mm 3800lm 730 2x8 5050 Opt G2	1010 117 71446	3000	460	3671	3951	43	20	184	80	1600	C
RecLED 224x50mm 3800lm 740 2x8 5050 Opt G2	1010 117 71546	4000	460	3846	4139	43	20	193	80	1600	B

### RecLED 224x50mm 2x8 5050 CRI 70 NTC Optimum G2

Product name	Ordering code	Colour temperature [K]	Current nominal If nom [mA]	Luminous flux <sup>1</sup> φ [lm]	Useful luminous flux <sup>2</sup> [lm]	Voltage <sup>1</sup> Vf [V]	Power <sup>1</sup> P [W]	Efficacy <sup>1</sup> [lm/W]	Current minimum If min <sup>2</sup> [mA]	Current maximum If max [mA]	Energy Efficiency Class
RecLED 224x50mm 3800lm 722 2x8 5050 NTC Opt G2	1010 137 53946	2200	460	3147	3387	43	20	158	80	1600	D
RecLED 224x50mm 3800lm 727 2x8 5050 NTC Opt G2	1010 137 09946	2700	460	3409	3669	43	20	171	80	1600	C
RecLED 224x50mm 3800lm 730 2x8 5050 NTC Opt G2	1010 127 86846	3000	460	3671	3951	43	20	184	80	1600	C
RecLED 224x50mm 3800lm 740 2x8 5050 NTC Opt G2	1010 127 75346	4000	460	3846	4139	43	20	193	80	1600	B

## Outdoor LED modules 5050

### RecLED 274x50mm 2x10 5050 CRI 70 Optimum G2

Product name	Ordering code	Colour temperature [K]	Current nominal If nom [mA]	Luminous flux <sup>1</sup> φ [lm]	Useful luminous flux <sup>2</sup> [lm]	Voltage <sup>1</sup> Vf [V]	Power <sup>1</sup> P [W]	Efficacy <sup>1</sup> [lm/W]	Current minimum If min <sup>3</sup> [mA]	Current maximum If max [mA]	Energy Efficiency Class
RecLED 274x50mm 4800lm 730 2x10 5050 Opt G2	1010 117 75946	3000	460	4589	4939	54	25	184	80	1600	C
RecLED 274x50mm 4800lm 740 2x10 5050 Opt G2	1010 117 76046	4000	460	4808	5174	54	25	193	80	1600	B

### RecLED 274x50mm 2x10 5050 CRI 70 NTC Optimum G2

Product name	Ordering code	Colour temperature [K]	Current nominal If nom [mA]	Luminous flux <sup>1</sup> φ [lm]	Useful luminous flux <sup>2</sup> [lm]	Voltage <sup>1</sup> Vf [V]	Power <sup>1</sup> P [W]	Efficacy <sup>1</sup> [lm/W]	Current minimum If min <sup>3</sup> [mA]	Current maximum If max [mA]	Energy Efficiency Class
RecLED 274x50mm 4800lm 727 2x10 5050 NTC Opt G2	1010 137 10046	2700	460	4262	4586	54	25	171	80	1600	C
RecLED 274x50mm 4800lm 730 2x10 5050 NTC Opt G2	1010 127 86946	3000	460	4589	4939	54	25	184	80	1600	C
RecLED 274x50mm 4800lm 740 2x10 5050 NTC Opt G2	1010 127 75446	4000	460	4808	5174	54	25	193	80	1600	B

<sup>1</sup>At nominal current and T<sub>p</sub>

<sup>2</sup>At nominal current and 25°C

<sup>3</sup>It is recommended not to operate below minimum current in order to avoid un-even brightness  
Tolerance range for optical and electrical ±10%

### Temperature & humidity

Specification item	Unit	Value
T <sub>p</sub>	[°C]	75
T <sub>p</sub> rated	[°C]	75
T <sub>c</sub>	[°C]	95
Relative humidity (non-condensing)	[%]	5 ... 85
Storage ambient temperature	[°C]	-25 ... +85
Storage relative humidity (non-condensing)	[%]	5 ... 85

T<sub>p</sub> - Temperature related to the performance parameters of the LED modules

T<sub>p</sub> rated - Maximum operating temperature to which the rated performance characteristics are declared

T<sub>c</sub> - Highest permissible value for safe operation

### Technical data

Specification item	Unit	Value
Classification acc. to IEC 62031		built-in
Working voltage	[Vdc]	420
Beam angle	[deg]	120
Initial color consistency	[SDCM]	5
Photobiological safety		RG2 (RG1 at >0.5m distance)
NTC type	[kΩ]	10 <sup>4</sup>

\*Murata NCP18XH103J03RB

### Color coordinates

According to CIE 1931

Specification item	CIE <sub>x</sub>	CIE <sub>y</sub>
2200K	0.5020	0.4156
2700K	0.4578	0.4101
3000K	0.4338	0.4030
4000K	0.3818	0.3797

### Certificates & standards

Specification item	Compliant
ENEC	Yes*
ENEC+	Yes*
CE	Yes
RoHS	Yes
REACH	Yes
IP rating	No IP rating

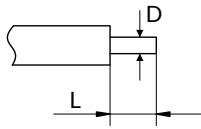
\*Not applicable to CRI 722



## Outdoor LED modules 5050

### Wiring

Wire cross section and strip length:



D - wire cross section (solid and flexible wires)	Min	Max
	0.2mm <sup>2</sup>	0.75mm <sup>2</sup>
	AWG 24	AWG 18

L - strip length	Min	Max
	8mm	9mm

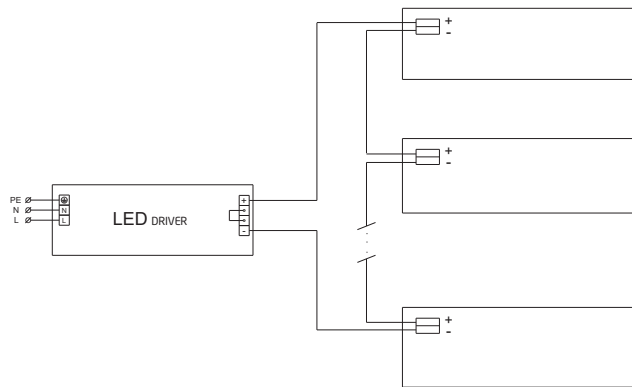
Opening for the release of wires from the top  
with release pin Electroterminal art. 881 167 884:



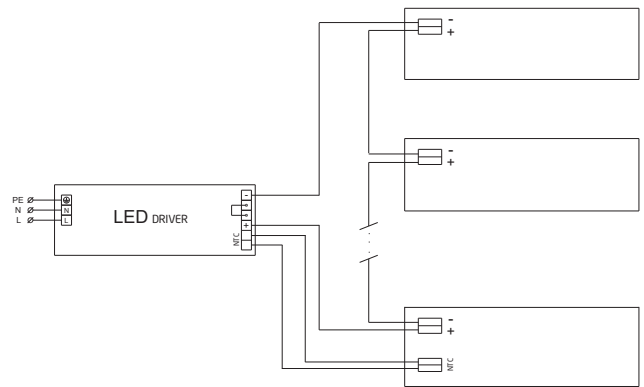
### Connections

Max number of modules	Unit	Series	Parallel
RecLED 122x50mm 2x4 5050	[pcs]	16	-
RecLED 173x50mm 2x6 5050	[pcs]	10	-
RecLED 224x50mm 2x8 5050	[pcs]	8	-
RecLED 274x50mm 2x10 5050	[pcs]	6	-

without NTC



NTC



### Energy Label / EPREL database

To obtain Energy Label for this product visit <https://eprel.ec.europa.eu/> and enter model identifier

Model identifier consists of 10 digits XXXX XXX XXX. It is printed directly on the LED module or on product label. This is the number you can see in EPREL database.

Ordering code consist of 12 digits XXXX XXX XXX46. Additional last two digits means packaging of the product.

## Outdoor LED modules 5050

### Ordering codes

Product name	Ordering code	Pieces per box	Pieces per pallet	Box dimensions [mm]
RecLED 122x50mm 1900lm 730 2x4 5050 Opt G2	1010 117 71046	55	13200	150 x 266 x 83
RecLED 122x50mm 1900lm 740 2x4 5050 Opt G2	1010 117 71146	55	13200	150 x 266 x 83
RecLED 122x50mm 1900lm 722 2x4 5050 NTC Opt G2	1010 137 53746	55	13200	150 x 266 x 83
RecLED 122x50mm 1900lm 727 2x4 5050 NTC Opt G2	1010 137 09746	55	13200	150 x 266 x 83
RecLED 122x50mm 1900lm 730 2x4 5050 NTC Opt G2	1010 127 86646	55	13200	150 x 266 x 83
RecLED 122x50mm 1900lm 740 2x4 5050 NTC Opt G2	1010 127 75146	55	13200	150 x 266 x 83
RecLED 173x50mm 2900lm 730 2x6 5050 Opt G2	1010 117 71246	48	6480	238 x 238 x 91
RecLED 173x50mm 2900lm 740 2x6 5050 Opt G2	1010 117 71346	48	6480	238 x 238 x 91
RecLED 173x50mm 2900lm 722 2x6 5050 NTC Opt G2	1010 137 53846	48	6480	238 x 238 x 91
RecLED 173x50mm 2900lm 727 2x6 5050 NTC Opt G2	1010 137 09846	48	6480	238 x 238 x 91
RecLED 173x50mm 2900lm 730 2x6 5050 NTC Opt G2	1010 127 86746	48	6480	238 x 238 x 91
RecLED 173x50mm 2900lm 740 2x6 5050 NTC Opt G2	1010 127 75246	48	6480	238 x 238 x 91
RecLED 224x50mm 3800lm 730 2x8 5050 Opt G2	1010 117 71446	26	5928	248 x 175 x 66
RecLED 224x50mm 3800lm 740 2x8 5050 Opt G2	1010 117 71546	26	5928	248 x 175 x 66
RecLED 224x50mm 3800lm 722 2x8 5050 NTC Opt G2	1010 137 53946	26	5928	248 x 175 x 66
RecLED 224x50mm 3800lm 727 2x8 5050 NTC Opt G2	1010 137 09946	26	5928	248 x 175 x 66
RecLED 224x50mm 3800lm 730 2x8 5050 NTC Opt G2	1010 127 86846	36	6840	248 x 175 x 66
RecLED 224x50mm 3800lm 740 2x8 5050 NTC Opt G2	1010 127 75346	36	6840	248 x 175 x 66
RecLED 274x50mm 4800lm 730 2x10 5050 Opt G2	1010 117 75946	75	9000	300 x 266 x 83
RecLED 274x50mm 4800lm 740 2x10 5050 Opt G2	1010 117 76046	75	9000	300 x 266 x 83
RecLED 274x50mm 4800lm 730 2x10 5050 NTC Opt G2	1010 127 86946	75	9000	300 x 266 x 83
RecLED 274x50mm 4800lm 740 2x10 5050 NTC Opt G2	1010 127 75446	75	9000	300 x 266 x 83