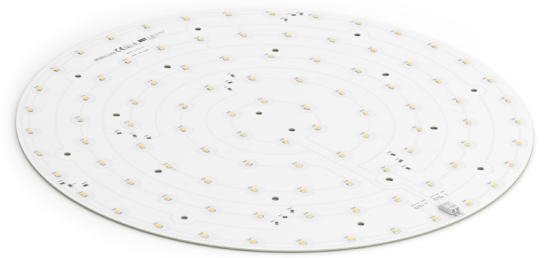


## Round LED modules 350mm

### Product description

- Long life-time
- Built-in, constant current LED module
- Re-workable push-in terminals enabling easy connection
- Compliance and approval: CE, ENEC
- Available CCT from 2700K to 6500K and CRI 80, 90



### RdLED CRI 80 Optimum G4

Product name	Ordering code	Colour temperature [K]	Current nominal If nom [mA]	Luminous flux <sup>1</sup> φ [lm]	Useful luminous flux <sup>2</sup> [lm]	Voltage <sup>1</sup> Vf [V]	Power <sup>1</sup> P [W]	Efficacy <sup>1</sup> [lm/W]	Current minimum If min <sup>3</sup> [mA]	Current maximum If max [mA]	Energy Efficiency Class
RdLED 350mm 4000lm 830 36V Opt G4	1010 117 83046	3000	680	3878	4002	33	23	172	80	1600	C
RdLED 350mm 4000lm 840 36V Opt G4	1010 117 83146	4000	680	4202	4336	33	23	186	80	1600	C

### RdLED CRI 80 Optimum G3

Product name	Ordering code	Colour temperature [K]	Current nominal If nom [mA]	Luminous flux <sup>1</sup> φ [lm]	Useful luminous flux <sup>2</sup> [lm]	Voltage <sup>1</sup> Vf [V]	Power <sup>1</sup> P [W]	Efficacy <sup>1</sup> [lm/W]	Current minimum If min <sup>3</sup> [mA]	Current maximum If max [mA]	Energy Efficiency Class
RdLED 350mm 4000lm 830 144V Opt G3	1010 117 55946	3000	175	3969	4130	135	24	168	20	300	D
RdLED 350mm 4000lm 830 36V Opt G3	1010 117 56146		700	3969	4130	34	24	168	80	1200	D
RdLED 350mm 4000lm 840 144V Opt G3	1010 117 56046	4000	175	4172	4343	135	24	177	20	300	C
RdLED 350mm 4000lm 840 36V Opt G3	1010 117 56246		700	4172	4343	34	24	177	80	1200	C

### RdLED CRI 90 Optimum G3

Product name	Ordering code	Colour temperature [K]	Current nominal If nom [mA]	Luminous flux <sup>1</sup> φ [lm]	Useful luminous flux <sup>2</sup> [lm]	Voltage <sup>1</sup> Vf [V]	Power <sup>1</sup> P [W]	Efficacy <sup>1</sup> [lm/W]	Current minimum If min <sup>3</sup> [mA]	Current maximum If max [mA]	Energy Efficiency Class
RdLED 350mm 4000lm 927 144V Opt G3	1010 117 68546	2700	200	3567	3697	142	28	125	20	300	E
RdLED 350mm 4000lm 927 36V Opt G3	1010 117 68846		800	3567	3697	36	28	125	80	1200	E
RdLED 350mm 4000lm 930 144V Opt G3	1010 117 68646	3000	200	3831	3971	142	28	135	20	300	E
RdLED 350mm 4000lm 930 36V Opt G3	1010 117 68946		800	3831	3971	36	28	135	80	1200	E
RdLED 350mm 4000lm 940 144V Opt G3	1010 117 68746	4000	200	4095	4245	142	28	144	20	300	D
RdLED 350mm 4000lm 940 36V Opt G3	1010 117 69046		800	4095	4245	36	28	144	80	1200	D

<sup>1</sup>At nominal current and T<sub>p</sub>

<sup>2</sup>At nominal current and 25°C

<sup>3</sup>It is recommended not to operate below minimum current in order to avoid un-even brightness

Tolerance range for optical and electrical ±10%

### Temperature & humidity

Specification item	Unit	Value
T <sub>p</sub>	[°C]	45
T <sub>p rated</sub>	[°C]	65
T <sub>c</sub>	[°C]	85
Relative humidity (non-condensing)	[%]	5 ... 85
Storage ambient temperature	[°C]	-25 ... +85
Storage relative humidity (non-condensing)	[%]	5 ... 85

T<sub>p</sub> - Temperature related to the performance parameters of the LED modules

T<sub>p rated</sub> - Maximum operating temperature to which the rated performance characteristics are declared

T<sub>c</sub> - Highest permissible value for safe operation

## Round LED modules 350mm

### Technical data

Specification item	Unit	Value
Classification acc. to IEC 62031		built-in
Working voltage	[Vdc]	350
Beam angle	[deg]	120
Initial color consistency	[SDCM]	3
Photobiological safety		RG1 unlimited

### Color coordinates

According to CIE 1931

Specification item	CIEx	CIEy
2700K	0.4578	0.4101
3000K	0.4338	0.4030
4000K	0.3818	0.3797
6500K	0.3123	0.3282

### Certificates & standards

Specification item	Compliant
ENEC	Yes
CE	Yes
RoHS	Yes
REACH	Yes
Zhaga	No
IP rating	No IP rating

### Lumen maintenance

for LinLED CRI 80 Optimum G4

Forward current	Tp temp.	L70 [h]		L80 [h]		L90 [h]	
		B50	B10	B50	B10	B50	B10
If nom	45°C	>72 000	>72 000	>72 000	>72 000	43 000	38 000
	65°C	>72 000	>72 000	>72 000	>72 000	33 000	29 000
	85°C	>72 000	>72 000	>72 000	>72 000	28 000	25 000

reported data based on LM80 LED data 10 000h

### RdLED CRI 80

Forward current	Tp temp.	L70 [h]		L80 [h]		L90 [h]	
		B50	B10	B50	B10	B50	B10
If nom	45°C	>72 000	>72 000	>72 000	>72 000	66 000	56 000
	55°C	>72 000	>72 000	>72 000	>72 000	66 000	56 000
	65°C	>72 000	>72 000	>72 000	>72 000	64 000	55 000
	75°C	>72 000	>72 000	>72 000	>72 000	63 000	53 000
	85°C	>72 000	>72 000	>72 000	>72 000	61 000	53 000
If max	45°C	>72 000	>72 000	>72 000	>72 000	51 000	39 000
	55°C	>72 000	>72 000	>72 000	>72 000	51 000	39 000
	65°C	>72 000	>72 000	>72 000	>72 000	48 000	37 000
	75°C	>72 000	>72 000	>72 000	>72 000	45 000	35 000
85°C	>72 000	>72 000	>72 000	>72 000	69 000	43 000	

reported data based on LM80 LED data (@65mA 17000h / @160mA & 200mA 12000h)

### RdLED CRI 90

Forward current	Tp temp.	L70 [h]		L80 [h]		L90 [h]	
		B50	B10	B50	B10	B50	B10
If nom	45°C	>60 000	>60 000	>60 000	>60 000	52 000	50 000
	65°C	>60 000	>60 000	>60 000	>60 000	42 000	41 000
If max	85°C	>60 000	>60 000	>60 000	>60 000	34 000	30 000
	45°C	>60 000	>60 000	52 000	49 000	29 000	28 000
If max	65°C	>60 000	>60 000	47 000	44 000	25 000	24 000
	85°C	>60 000	58 000	41 000	38 000	22 000	19 000

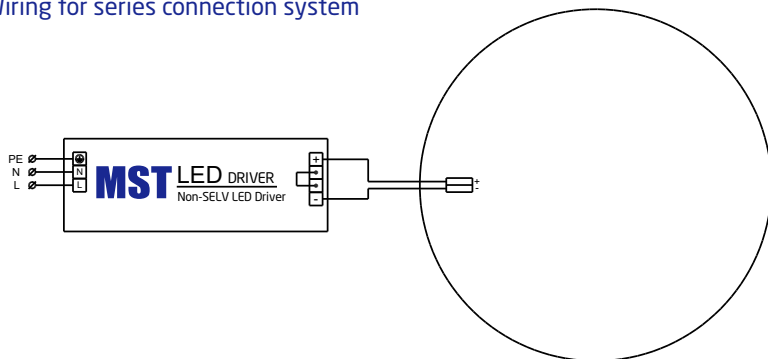
reported data based on LM80 LED data 10 000h



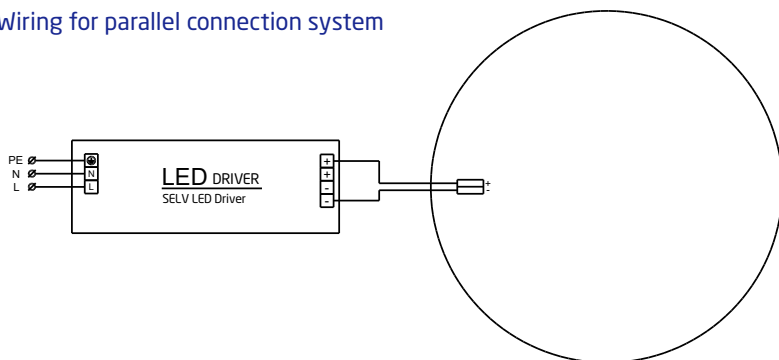
## Round LED modules 350mm

### Connections

#### Wiring for series connection system



#### Wiring for parallel connection system



### Energy Label / EPREL database

To obtain Energy Label for this product visit <https://eprel.ec.europa.eu/> and enter model identifier

Model identifier consists of 10 digits XXXX XXX XXX. It is printed directly on the LED module or on product label. This is the number you can see in EPREL database.

Ordering code consist of 12 digits XXXX XXX XXX46. Additional last two digits means packaging of the product.

### Ordering codes

Product name	Ordering code	Pieces per box	Pieces per pallet	Box dimensions [mm]
RdLED 350mm 4000lm 830 144V Opt G3	1010 117 55946	12	1008	363 x 363 x 58
RdLED 350mm 4000lm 830 36V Opt G3	1010 117 56146	12	1008	363 x 363 x 58
RdLED 350mm 4000lm 840 144V Opt G3	1010 117 56046	12	1008	363 x 363 x 58
RdLED 350mm 4000lm 840 36V Opt G3	1010 117 56246	12	1008	363 x 363 x 58
RdLED 350mm 4000lm 827 144V Opt G3	1010 117 68546	12	1008	363 x 363 x 58
RdLED 350mm 4000lm 827 36V Opt G3	1010 117 68846	12	1008	363 x 363 x 58
RdLED 350mm 4000lm 830 144V Opt G3	1010 117 68646	12	1008	363 x 363 x 58
RdLED 350mm 4000lm 830 36V Opt G3	1010 117 68946	12	1008	363 x 363 x 58
RdLED 350mm 4000lm 840 144V Opt G3	1010 117 68746	12	1008	363 x 363 x 58
RdLED 350mm 4000lm 840 36V Opt G3	1010 117 69046	12	1008	363 x 363 x 58
RdLED 350mm 4000lm 830 36V Opt G4	1010 117 83046	12	1008	363 x 363 x 58
RdLED 350mm 4000lm 840 36V Opt G4	1010 117 83146	12	1008	363 x 363 x 58