

Linear LED modules 280x28mm DAISY-7X1 2C

A linear solution for premium class indoor lighting. Optimized for LEDi's DAISY-7X1 optics. Compatible with BRIANNA optics.

Product description

- Long life-time
- Built-in, constant current LED module
- Re-workable push-in terminals enabling easy connection
- Compliance and approval: CE, ENEC
- 2C - two connectors for series system, also recognized as a high voltage system - non-SELV
- Available CCT from 2700K to 6500K and CRI 80, 90



The image shows version 2C. The number of connectors may vary depending on the type of module.



LinLED 2C CRI 80 G4

| Product name | Ordering code | Colour temperature [K] | Current nominal If nom [mA] | Luminous flux ¹ φ [lm] | Useful luminous flux ² [lm] | Voltage ¹ Vf [V] | Power ¹ P [W] | Efficacy ¹ [lm/W] | Current minimum If min ³ [mA] | Current maximum If max [mA] | Energy Efficiency Class |
|-------------------------------------------------------|----------------|------------------------|-----------------------------|-----------------------------------|----------------------------------------|-----------------------------|--------------------------|------------------------------|------------------------------------------|-----------------------------|-------------------------|
| LinLED 280x28mm 2x550lm 827-865 2x2C 42V DAISY-7X1 G4 | 1010 137 33046 | 2700 | 80 | 532 | 545 | 38 | 3.0 | 176 | 10 | 300 | C |
| | | 6500 | 80 | 589 | 604 | 38 | 3.0 | 195 | 10 | 300 | |
| LinLED 280x28mm 1100lm 830 2C 42V DAISY-7X1 G4 | 1010 137 33146 | 3000 | 150 | 1072 | 1099 | 38 | 5.6 | 190 | 20 | 600 | C |
| LinLED 280x28mm 1100lm 840 2C 42V DAISY-7X1 G4 | 1010 137 33246 | 4000 | 150 | 1114 | 1143 | 38 | 5.6 | 197 | 20 | 600 | B |

LinLED 2C CRI 80 G1

| Product name | Ordering code | Colour temperature [K] | Current nominal If nom [mA] | Luminous flux ¹ φ [lm] | Useful luminous flux ² [lm] | Voltage ¹ Vf [V] | Power ¹ P [W] | Efficacy ¹ [lm/W] | Current minimum If min ³ [mA] | Current maximum If max [mA] | Energy Efficiency Class |
|-------------------------------------------------------|----------------|------------------------|-----------------------------|-----------------------------------|----------------------------------------|-----------------------------|--------------------------|------------------------------|------------------------------------------|-----------------------------|-------------------------|
| LinLED 280x28mm 2x550lm 827-865 2x2C 42V DAISY-7X1 G1 | 1010 117 64046 | 2700 | 85 | 552 | 571 | 39 | 3.4 | 164 | 10 | 150 | D |
| | | 6500 | 85 | 597 | 618 | 39 | 3.4 | 177 | 10 | 150 | |
| LinLED 280x28mm 1100lm 830 2C 42V DAISY-7X1 G1 | 1010 117 64146 | 3000 | 165 | 1106 | 1145 | 39 | 6.5 | 170 | 20 | 300 | C |
| LinLED 280x28mm 1100lm 840 2C 42V DAISY-7X1 G1 | 1010 117 64246 | 4000 | 165 | 1162 | 1202 | 39 | 6.5 | 178 | 20 | 300 | C |

LinLED 2C CRI 90 G1

| Product name | Ordering code | Colour temperature [K] | Current nominal If nom [mA] | Luminous flux ¹ φ [lm] | Useful luminous flux ² [lm] | Voltage ¹ Vf [V] | Power ¹ P [W] | Efficacy ¹ [lm/W] | Current minimum If min ³ [mA] | Current maximum If max [mA] | Energy Efficiency Class |
|------------------------------------------------|----------------|------------------------|-----------------------------|-----------------------------------|----------------------------------------|-----------------------------|--------------------------|------------------------------|------------------------------------------|-----------------------------|-------------------------|
| LinLED 280x28mm 1100lm 930 2C 42V DAISY-7X1 G1 | 1010 127 02846 | 3000 | 185 | 1044 | 1082 | 41 | 7.6 | 137 | 20 | 300 | E |
| LinLED 280x28mm 1100lm 940 2C 42V DAISY-7X1 G1 | 1010 117 83646 | 4000 | 185 | 1116 | 1157 | 41 | 7.6 | 147 | 20 | 300 | D |

LinLED 2C CRI 90 G2

| Product name | Ordering code | Colour temperature [K] | Current nominal If nom [mA] | Luminous flux ¹ φ [lm] | Useful luminous flux ² [lm] | Voltage ¹ Vf [V] | Power ¹ P [W] | Efficacy ¹ [lm/W] | Current minimum If min ³ [mA] | Current maximum If max [mA] | Energy Efficiency Class |
|-------------------------------------------------------|----------------|------------------------|-----------------------------|-----------------------------------|----------------------------------------|-----------------------------|--------------------------|------------------------------|------------------------------------------|-----------------------------|-------------------------|
| LinLED 280x28mm 2x550lm 927-965 2x2C 42V DAISY-7X1 G2 | 1010 127 38246 | 2700 | 85 | 494 | 511 | 39 | 3.3 | 149 | 10 | 150 | D |
| | | 6500 | 85 | 546 | 565 | 39 | 3.3 | 164 | 10 | 150 | |

¹At nominal current and T_p

²At nominal current and 25°C

³It is recommended not to operate below minimum current in order to avoid un-even brightness

Tolerance range for optical and electrical ±10%

Linear LED modules 280x28mm DAISY-7X1 2C

Temperature & humidity

| Specification item | Unit | Value |
|---------------------------------------------------|------|-------------|
| Tp | [°C] | 45 |
| Tp rated | [°C] | 65 |
| Tc | [°C] | 85 |
| Relative humidity (non-condensing) | [%] | 5 ... 85 |
| Storage ambient temperature | [°C] | -25 ... +85 |
| Storage relative humidity (non-condensing) | [%] | 5 ... 85 |

Tp - Temperature related to the performance parameters of the LED modules
 Tp rated - Maximum operating temperature to which the rated performance characteristics are declared
 Tc - Highest permissible value for safe operation

Technical data

| Specification item | Unit | Value |
|-----------------------------------------|--------|---------------|
| Classification acc. to IEC 62031 | | built-in |
| Working voltage | [Vdc] | 260 |
| Beam angle | [deg] | 120 |
| Initial color consistency | [SDCM] | 3 |
| Photobiological safety | | RG1 unlimited |

Color coordinates

According to CIE 1931

| Specification item | CIE _x | CIE _y |
|--------------------|------------------|------------------|
| 2700K | 0.4578 | 0.4101 |
| 3000K | 0.4338 | 0.4030 |
| 4000K | 0.3818 | 0.3797 |
| 6500K | 0.3123 | 0.3282 |

Certificates & standards

| Specification item | Compliant |
|--------------------|--------------|
| ENEC | Yes |
| CE | Yes |
| RoHS | Yes |
| REACH | Yes |
| Zhaga | No |
| IP rating | No IP rating |

Lumen maintenance

LinLED CRI 80

| Forward current | Tp temp. | L70 [h] | | L80 [h] | | L90 [h] | |
|-----------------|----------|---------|---------|---------|---------|---------|--------|
| | | B50 | B10 | B50 | B10 | B50 | B10 |
| If nom | 45°C | >72 000 | >72 000 | >72 000 | >72 000 | 67 000 | 57 000 |
| | 55°C | >72 000 | >72 000 | >72 000 | >72 000 | 67 000 | 57 000 |
| | 65°C | >72 000 | >72 000 | >72 000 | >72 000 | 65 000 | 56 000 |
| | 75°C | >72 000 | >72 000 | >72 000 | >72 000 | 64 000 | 54 000 |
| | 85°C | >72 000 | >72 000 | >72 000 | >72 000 | 62 000 | 54 000 |
| If max | 45°C | >72 000 | >72 000 | >72 000 | >72 000 | 51 000 | 39 000 |
| | 55°C | >72 000 | >72 000 | >72 000 | >72 000 | 51 000 | 39 000 |
| | 65°C | >72 000 | >72 000 | >72 000 | >72 000 | 48 000 | 37 000 |
| | 75°C | >72 000 | >72 000 | >72 000 | >72 000 | 45 000 | 35 000 |
| | 85°C | >72 000 | >72 000 | >72 000 | 69 000 | 43 000 | 34 000 |

reported data based on LM80 LED data (@65mA 17000h / @160mA & 200mA 12000h)

LinLED CRI 90

| Forward current | Tp temp. | L70 [h] | | L80 [h] | | L90 [h] | |
|-----------------|----------|---------|---------|---------|---------|---------|--------|
| | | B50 | B10 | B50 | B10 | B50 | B10 |
| If nom | 45°C | >60 000 | >60 000 | >60 000 | >60 000 | 55 000 | 53 000 |
| | 55°C | >60 000 | >60 000 | >60 000 | >60 000 | 44 000 | 43 000 |
| If max | 65°C | >60 000 | >60 000 | >60 000 | >60 000 | 36 000 | 32 000 |
| | 45°C | >60 000 | >60 000 | 52 000 | 49 000 | 29 000 | 28 000 |
| | 55°C | >60 000 | >60 000 | 47 000 | 44 000 | 25 000 | 24 000 |
| | 65°C | >60 000 | 58 000 | 41 000 | 38 000 | 22 000 | 19 000 |

reported data based on LM80 LED data (10 000h)

Linear LED modules 280x28mm DAISY-7X1 2C

LinLED CRI 80

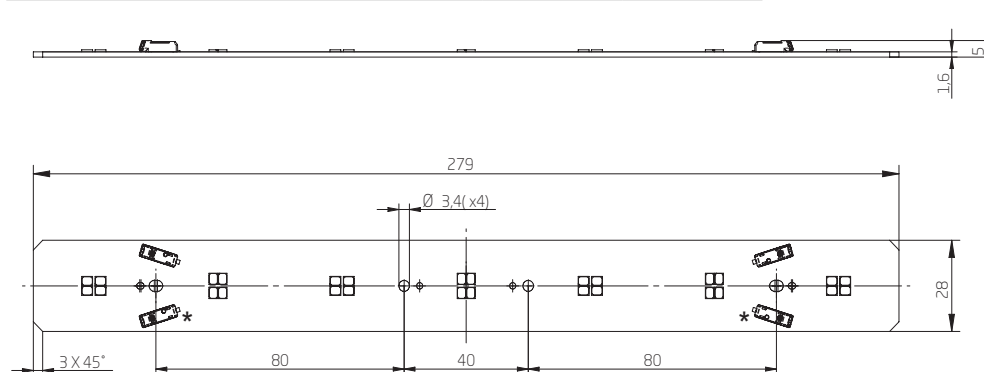
for LinLED CRI 80 G4

| Forward current | Tp temp. | L70 [h] | | L80 [h] | | L90 [h] | |
|-----------------|----------|----------|----------|----------|----------|----------|----------|
| | | B50 | B10 | B50 | B10 | B50 | B10 |
| If nom | 45°C | >102 000 | >102 000 | >102 000 | >102 000 | >102 000 | >102 000 |
| | 55°C | >102 000 | >102 000 | >102 000 | >102 000 | >102 000 | >102 000 |
| | 65°C | >102 000 | >102 000 | >102 000 | >102 000 | 87 000 | 86 000 |
| | 75°C | >102 000 | >102 000 | >102 000 | >102 000 | 74 000 | 73 000 |
| | 85°C | >102 000 | >102 000 | >102 000 | >102 000 | 63 000 | 62 000 |
| If max | 45°C | >102 000 | >102 000 | >102 000 | >102 000 | >102 000 | >102 000 |
| | 55°C | >102 000 | >102 000 | >102 000 | >102 000 | 90 000 | 89 000 |
| | 65°C | >102 000 | >102 000 | >102 000 | >102 000 | 77 000 | 76 000 |
| | 75°C | >102 000 | >102 000 | >102 000 | >102 000 | 65 000 | 64 000 |
| | 85°C | >102 000 | >102 000 | >102 000 | >102 000 | 55 000 | 54 000 |

reported data based on LM80 LED data (17000h)

Dimensions

| Product name | Ordering code | Connectors (*) |
|-------------------------------------------------------|----------------|----------------|
| LinLED 280x28mm 2x550lm 827-865 2x2C 42V DAISY-7X1 G4 | 1010 137 33046 | Yes |
| LinLED 280x28mm 1100lm 830 2C 42V DAISY-7X1 G4 | 1010 137 33146 | No |
| LinLED 280x28mm 1100lm 840 2C 42V DAISY-7X1 G4 | 1010 137 33246 | No |
| LinLED 280x28mm 2x550lm 827-865 2x2C 42V DAISY-7X1 G1 | 1010 117 64046 | Yes |
| LinLED 280x28mm 1100lm 830 2C 42V DAISY-7X1 G1 | 1010 117 64146 | No |
| LinLED 280x28mm 1100lm 840 2C 42V DAISY-7X1 G1 | 1010 117 64246 | No |
| LinLED 280x28mm 1100lm 930 2C 42V DAISY-7X1 G1 | 1010 127 02846 | No |
| LinLED 280x28mm 1100lm 940 2C 42V DAISY-7X1 G1 | 1010 117 83646 | No |
| LinLED 280x28mm 2x550lm 927-965 2x2C 42V DAISY-7X1 G2 | 1010 127 38246 | Yes |



Mounting

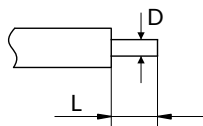
LED Modules cannot be exposed to tensile or compressive stresses. For this purpose it is necessary that the modules are assembled to a flat surface by only rounded head screws. Additionally plastic flat washer should be used to ensure creepage distance between screw's head and surface of the pcb. Max. torque for fixing: 0,5Nm.

LED modules are sensitive to electrostatic discharge (ESD). Follow safety regulations according to IEC 61340-5-1.

Linear LED modules 280x28mm DAISY-7X1 2C

Wiring

Wire cross section and strip length:



| | | |
|------------------------------------------------------|--------------------|---------------------|
| D - wire cross section (solid and flexible wires) | Min | Max |
| | 0.2mm ² | 0.75mm ² |
| | AWG 24 | AWG 18 |

| | | |
|------------------|-----|-----|
| L - strip length | Min | Max |
| | 8mm | 9mm |

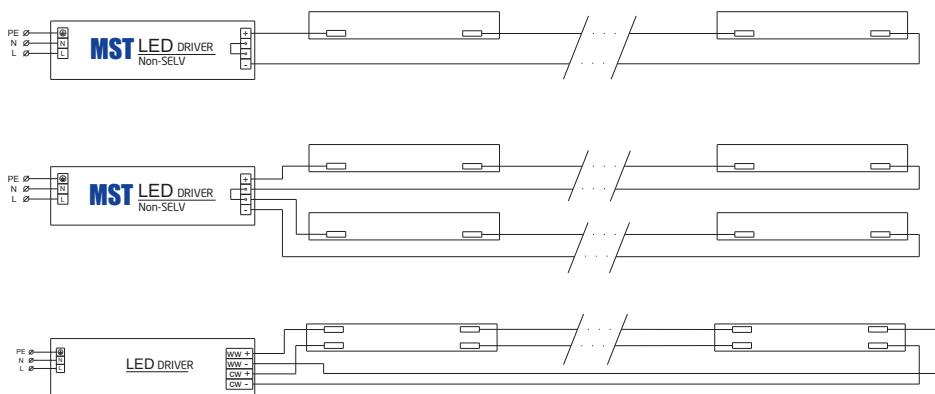
Opening for the release of wires from the top
with release pin Electroterminal art. 881 167 884:



Connections

| Max number of modules | Unit | Series | Parallel |
|-----------------------|-------|--------|----------|
| LinLED 280x28mm... | [pcs] | 6 | - |

Wiring for series connection system (2C)



Energy Label / EPREL database

To obtain Energy Label for this product visit <https://eprel.ec.europa.eu/> and enter model identifier

Model identifier consists of 10 digits XXXX XXX XXX. It is printed directly on the LED module or on product label. This is the number you can see in EPREL database.

Ordering code consist of 12 digits XXXX XXX XXX46. Additional last two digits means packaging of the product.

Linear LED modules 280x28mm DAISY-7X1 2C

Ordering codes

| Product name | Ordering code | Pieces per box | Pieces per pallet | Box dimensions [mm] |
|-------------------------------------------------------|----------------|----------------|-------------------|---------------------|
| LinLED 280x28mm 2x550lm 827-865 2x2C 42V DAISY-7X1 G4 | 1010 137 33046 | 117 | 14040 | 300 x 266 x 83 |
| LinLED 280x28mm 1100lm 830 2C 42V DAISY-7X1 G4 | 1010 137 33146 | 135 | 16200 | 300 x 266 x 83 |
| LinLED 280x28mm 1100lm 840 2C 42V DAISY-7X1 G4 | 1010 137 33246 | 135 | 16200 | 300 x 266 x 83 |
| LinLED 280x28mm 2x550lm 827-865 2x2C 42V DAISY-7X1 G1 | 1010 117 64046 | 117 | 14040 | 300 x 266 x 83 |
| LinLED 280x28mm 1100lm 830 2C 42V DAISY-7X1 G1 | 1010 117 64146 | 135 | 16200 | 300 x 266 x 83 |
| LinLED 280x28mm 1100lm 840 2C 42V DAISY-7X1 G1 | 1010 117 64246 | 135 | 16200 | 300 x 266 x 83 |
| LinLED 280x28mm 1100lm 930 2C 42V DAISY-7X1 G1 | 1010 127 02846 | 135 | 16200 | 300 x 266 x 83 |
| LinLED 280x28mm 1100lm 940 2C 42V DAISY-7X1 G1 | 1010 117 83646 | 135 | 16200 | 300 x 266 x 83 |
| LinLED 280x28mm 2x550lm 927-965 2x2C 42V DAISY-7X1 G2 | 1010 127 38246 | 117 | 14040 | 300 x 266 x 83 |