

Linear LED modules 280x28mm DAISY-7x1 4C

A linear solution for premium class indoor lighting. Optimized for LEDi's DAISY-7x1 optics.

Product description

- Long life-time
- Built-in, constant current LED module
- Re-workable push-in terminals enabling easy connection
- Compliance and approval: CE
- 4C - four connectors for parallel system, also recognized as a low voltage system - SELV
- Available CCT from 2700K to 6500K and CRI 80, 90



LinLED 4C CRI 80 Optimum G1

Product name	Ordering code	Colour temperature [K]	Current nominal If nom [mA]	Luminous flux* φ [lm]	Voltage* Vf [V]	Power* P [W]	Efficacy* [lm/W]	Current maximum If max [mA]
LinLED 280x28mm 1100lm 830 4C 42V Opt G1	1010 117 89246	3000	165	1106	40	6.5	170	300
LinLED 560x28mm 2200lm 830 4C 42V Opt G1	1010 127 08946		330	2213	40	13	170	600
LinLED 280x28mm 1100lm 840 4C 42V Opt G1	1010 117 81446	4000	165	1162	40	6.5	178	300
LinLED 560x28mm 1100lm 840 4C 42V Opt G1	1010 127 09046		330	2324	40	13	178	600

LinLED 4C CRI 90 Optimum G1

Product name	Ordering code	Colour temperature [K]	Current nominal If nom [mA]	Luminous flux* φ [lm]	Voltage* Vf [V]	Power* P [W]	Efficacy* [lm/W]	Current maximum If max [mA]
LinLED 280x28mm 1100lm 927 4C 42V Opt G1	1010 117 89346	2700	185	972	41	7.6	128	300
LinLED 280x28mm 1100lm 930 4C 42V Opt G1	1010 117 89446	3000	185	1044	41	7.6	137	300
LinLED 280x28mm 1100lm 940 4C 42V Opt G1	1010 117 81546	4000	185	1116	41	7.6	147	300

*At nominal current and T_p
Tolerance range for optical and electrical ±10%

Temperature & humidity

Specification item	Unit	Value
T _p	[°C]	45
T _p rated	[°C]	65
T _c	[°C]	85
Relative humidity (non-condensing)	[%]	5 ... 85
Storage ambient temperature	[°C]	-25 ... +85
Storage relative humidity (non-condensing)	[%]	5 ... 85

T_p - Temperature related to the performance parameters of the LED modules
T_p rated - Maximum operating temperature to which the rated performance characteristics are declared
T_c - Highest permissible value for safe operation

Technical data

Specification item	Unit	Value
Classification acc. to IEC 62031		built-in
Energy Efficiency Class		A++
Working voltage	[Vdc]	60
Beam angle	[deg]	120
Initial color consistency	[SDCM]	3
Initial color coordinates		Acc. to CIE 1931
Photobiological safety		RG1 unlimited

Linear LED modules 280x28mm DAISY-7x1 4C

Certificates & standards

Specification item	Compliant
ENEC	No
CE	Yes
RoHS	Yes
REACH	Yes
Zhaga	No
IP rating	No IP rating

Lumen maintenance

LinLED CRI 80

LinLED CRI 90

Forward current	Tp temp.	L70 [h]		L80 [h]		L90 [h]	
		B50	B10	B50	B10	B50	B10
If nom	45°C	>72 000	>72 000	>72 000	>72 000	67 000	57 000
	55°C	>72 000	>72 000	>72 000	>72 000	67 000	57 000
	65°C	>72 000	>72 000	>72 000	>72 000	65 000	56 000
	75°C	>72 000	>72 000	>72 000	>72 000	64 000	54 000
	85°C	>72 000	>72 000	>72 000	>72 000	62 000	54 000
If max	45°C	>72 000	>72 000	>72 000	>72 000	51 000	39 000
	55°C	>72 000	>72 000	>72 000	>72 000	51 000	39 000
	65°C	>72 000	>72 000	>72 000	>72 000	48 000	37 000
	75°C	>72 000	>72 000	>72 000	>72 000	45 000	35 000
	85°C	>72 000	>72 000	>72 000	69 000	43 000	34 000

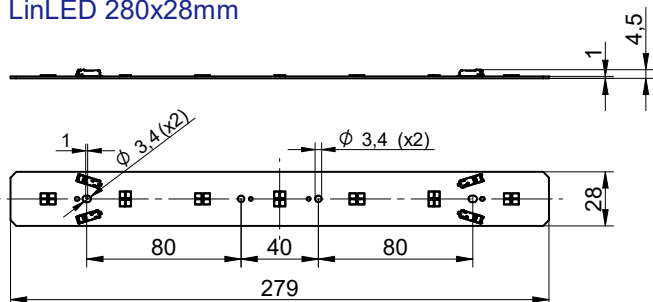
reported data based on LM80 LED data (@65mA 17000h / @160mA & 200mA 12000h)

Forward current	Tp temp.	L70 [h]		L80 [h]		L90 [h]	
		B50	B10	B50	B10	B50	B10
If nom	45°C	>60 000	>60 000	>60 000	>60 000	55 000	53 000
	55°C	>60 000	>60 000	>60 000	>60 000	44 000	43 000
	65°C	>60 000	>60 000	>60 000	>60 000	36 000	32 000
If max	45°C	>60 000	>60 000	52 000	49 000	29 000	28 000
	55°C	>60 000	>60 000	47 000	44 000	25 000	24 000
	65°C	>60 000	58 000	41 000	38 000	22 000	19 000

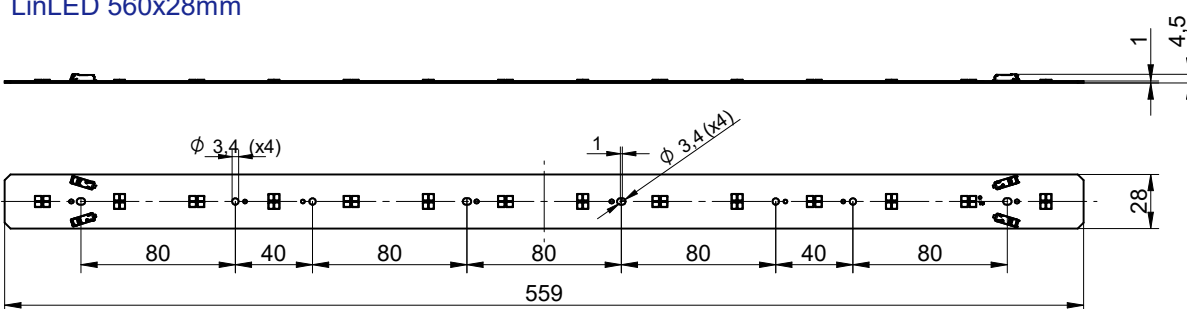
reported data based on LM80 LED data (10 000h)

Dimensions

LinLED 280x28mm



LinLED 560x28mm



Mounting

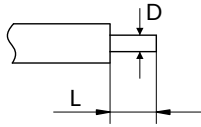
LED Modules cannot be exposed to tensile or compressive stresses. For this purpose it is necessary that the modules are assembled to a flat surface by only rounded head screws. Additionally plastic flat washer should be used to ensure creepage distance between screw's head and surface of the pcb. Max. torque for fixing: 0,5Nm.

LED modules are sensitive to electrostatic discharge (ESD). Follow safety regulations according to IEC 61340-5-1.

Linear LED modules 280x28mm DAISY-7x1 4C

Wiring

Wire cross section and strip length:



D - wire cross section (solid and flexible wires)	Min	Max
	0.2mm ²	0.75mm ²
	AWG 24	AWG 18

L - strip length	Min	Max
	8mm	9mm

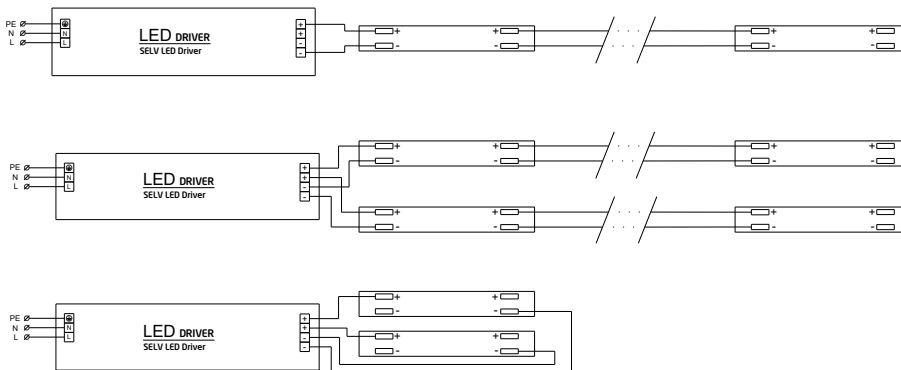
Opening for the release of wires from the top with release pin Electroterminal art. 881 167 884:



Connections

Max number of modules	Unit	Series	Parallel
LinLED 280x28mm...	[pcs]	-	6
LinLED 560x28mm...	[pcs]	-	3

Wiring for parallel connection system (4C)



To prevent irregular luminous intensity in parallel connection use only LED modules from the same V-code group.
V-code (e.g. "A", "B", "AB") is printed on the LED module and box label. Naming is not adequate to efficacy or luminous flux.

Ordering codes

Product name	Ordering code	Pieces per box	Pieces per pallet	Box dimensions [mm]
LinLED 280x28mm 1100lm 830 4C 42V Opt G1	1010 117 89246	54	8640	298 x 178 x 58
LinLED 560x28mm 2200lm 830 4C 42V Opt G1	1010 127 08946	80	4800	578 x 236 x 58
LinLED 280x28mm 1100lm 840 4C 42V Opt G1	1010 117 81446	54	8640	298 x 178 x 58
LinLED 560x28mm 1100lm 840 4C 42V Opt G1	1010 127 09046	80	4800	578 x 236 x 58
LinLED 280x28mm 1100lm 927 4C 42V Opt G1	1010 117 89346	54	8640	298 x 178 x 58
LinLED 280x28mm 1100lm 930 4C 42V Opt G1	1010 117 89446	54	8640	298 x 178 x 58
LinLED 280x28mm 1100lm 940 4C 42V Opt G1	1010 117 81546	54	8640	298 x 178 x 58