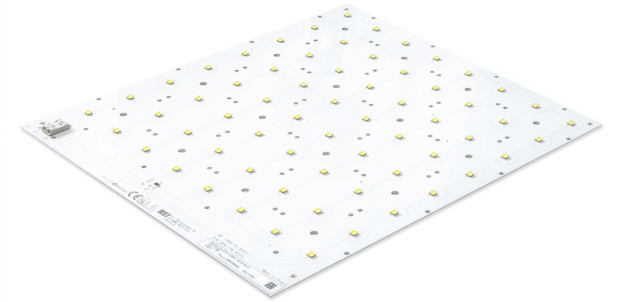


## Outdoor LED modules G1

A rectangular solution for outdoor lighting. Compatible with standard 2x2 optics for example LEDiL Strada 2x2.

### Product description

- Long life-time
- Built-in, constant current LED module
- Re-workable push-in terminals enabling easy connection
- Compliance and approval: CE
- Available CCT from 2200K to 6500K and CRI 80, 90
- Minimum driving current 200mA



### RecLED 6x6 G1

Product name	Ordering code	Colour temperature [K]	Current nominal If nom [mA]	Luminous flux* Φ [lm]	Voltage* Vf [V]	Power* P [W]	Efficacy* [lm/W]	Current maximum If max [mA]
RecLED 173x151mm 8700lm 730 6x6 Opt G1	1010 117 65646	3000	520	8080	99	51	158	1500
RecLED 173x151mm 8700lm 740 6x6 Opt G1	1010 117 65746	4000	520	8610	99	51	168	1500
RecLED 173x151mm 8700lm 765 6x6 Opt G1	1010 117 65846	6500	520	8610	99	51	168	1500

### RecLED 8x8 G1

Product name	Ordering code	Colour temperature [K]	Current nominal If nom [mA]	Luminous flux* Φ [lm]	Voltage* Vf [V]	Power* P [W]	Efficacy* [lm/W]	Current maximum If max [mA]
RecLED 224x202mm 15200lm 730 8x8 Opt G1	1010 117 65946	3000	520	14364	175	91	158	1500
RecLED 224x202mm 15200lm 740 8x8 Opt G1	1010 117 66046	4000	520	15306	175	91	168	1500
RecLED 224x202mm 15200lm 765 8x8 Opt G1	1010 117 66146	6500	520	15306	175	91	168	1500

\*At nominal current and Tp  
Tolerance range for optical and electrical ±10%

### Temperature & humidity

Specification item	Unit	Value
Tp	[°C]	75
Tp rated	[°C]	75
Tc	[°C]	95
Relative humidity (non-condensing)	[%]	5 ... 85
Storage ambient temperature	[°C]	-25 ... +85
Storage relative humidity (non-condensing)	[%]	5 ... 85

Tp - Temperature related to the performance parameters of the LED modules  
Tp rated - Maximum operating temperature to which the rated performance characteristics are declared  
Tc - Highest permissible value for safe operation

## Outdoor LED modules G1

### Technical data

Specification item	Unit	Value
Classification acc. to IEC 62031	[V]	built-in
Energy Efficiency Class		A++
Working voltage	[Vdc]	420
Beam angle	[deg]	120
Initial color consistency	[SDCM]	5
Initial color coordinates		Acc. to CIE 1931
Photobiological safety		RG2 (RG1 @ >0,5m distance)

### Certificates & standards

Specification item	Compliant
ENEC	Yes
CE	Yes
RoHS	Yes
REACH	Yes
Zhaga	Comply with book 15
IP rating	No IP rating

### Lumen maintenance

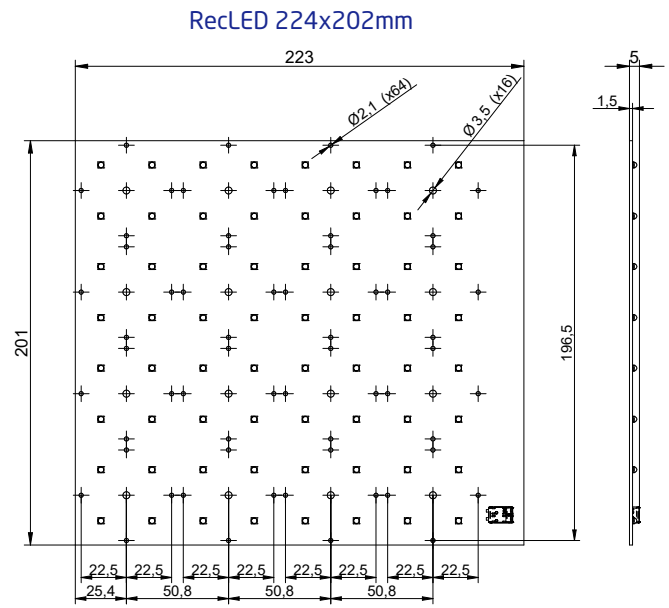
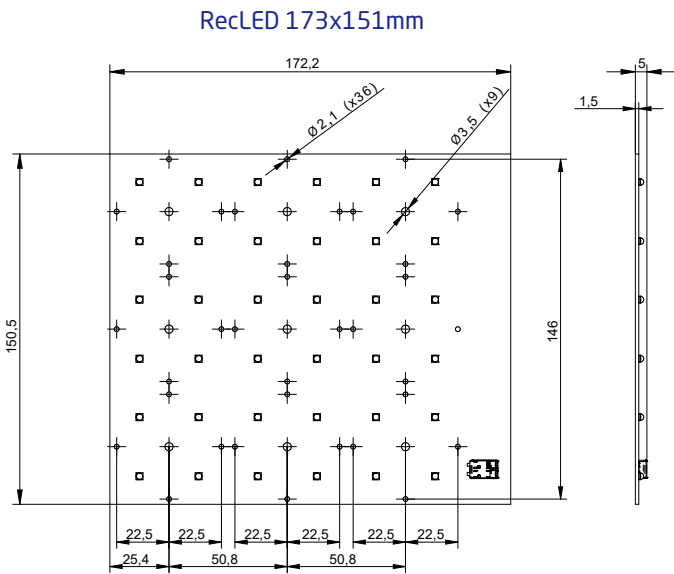
#### RecLED CRI 70

Forward current	Tp temperature	L70 [h]		L80 [h]		L90 [h]	
		B50	B10	B50	B10	B50	B10
If nom	75°C	>100 000	>100 000	>100 000	>100 000	>100 000	>100 000
	80°C	>100 000	>100 000	>100 000	>100 000	>100 000	>100 000
	85°C	>100 000	>100 000	>100 000	>100 000	>100 000	>100 000
	90°C	>100 000	>100 000	>100 000	>100 000	>100 000	>100 000
	95°C	>100 000	>100 000	>100 000	>100 000	>100 000	>100 000
If max	75°C	>100 000	>100 000	>100 000	>100 000	>100 000	>100 000
	80°C	>100 000	>100 000	>100 000	>100 000	>100 000	>100 000
	85°C	>100 000	>100 000	>100 000	>100 000	82 000	77 000
	90°C	>100 000	>100 000	>100 000	>100 000	58 000	54 000
	95°C	>100 000	>100 000	>100 000	>100 000	41 000	38 000

simulation based on LM80 LED data (10 000h)

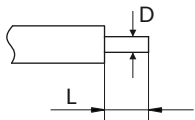
## Outdoor LED modules G1

### Dimensions



### Wiring

Wire cross section and strip length:



D - wire cross section <i>solid and flexible wires</i>	Min	Max
	0.2mm <sup>2</sup>	0.75mm <sup>2</sup>
	AWG 18	AWG 24

L - strip length	Min	Max
	8mm	9mm

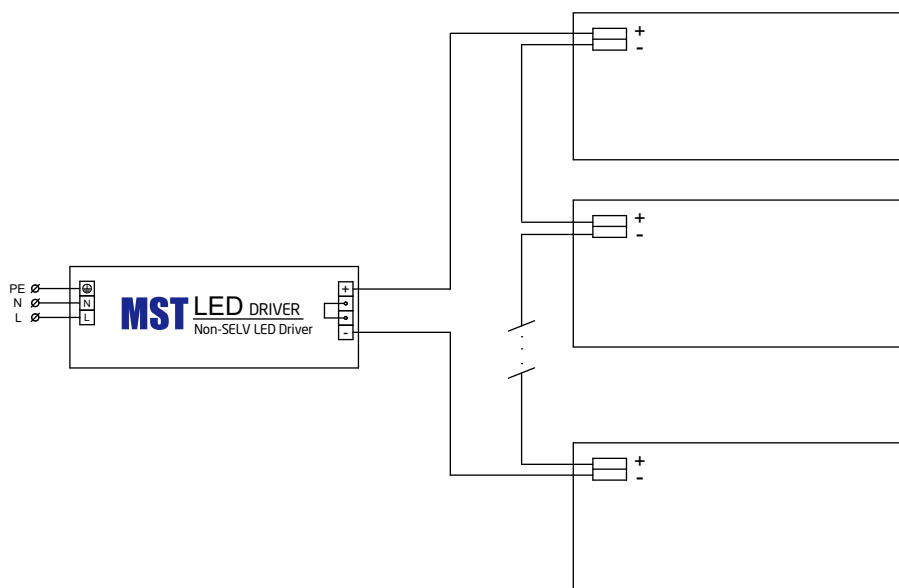
Opening for the release of wires from the top with release pin Electroterminal art. 881 167 884:



## Outdoor LED modules G1

### Connections

Max number of modules	Unit	Series	Parallel
RecLED 173x151mm	[pcs]	4	-
RecLED 224x202mm	[pcs]	2	-



### Mounting

LED Modules cannot be exposed to tensile or compressive stresses. For this purpose it is necessary that the modules are assembled to a flat surface by only rounded head screws. Additionally plastic flat washer should be used to ensure creepeage distance between screw's head and surface of the pcb. Max. torque for fixing: 0,5Nm.

LED modules are sensitive to electrostatic discharge (ESD). Follow safety regulations according to IEC 61340-5-1.

### Ordering codes

Specification item	Ordering code	Pieces per box	Pieces per pallet	Box dimensions [mm]	Product weight [g]	Gross weight [kg]
RecLED 173x151mm 8700lm 730 6x6 Opt G1	1010 117 65646	20	2400	360 x 200 x 58	101	300
RecLED 173x151mm 8700lm 740 6x6 Opt G1	1010 117 65746	20	2400	360 x 200 x 58	101	300
RecLED 173x151mm 8700lm 765 6x6 Opt G1	1010 117 65846	20	2400	360 x 200 x 58	101	300
RecLED 224x202mm 15200lm 730 8x8 Opt G1	1010 117 65946	20	1400	438x 236 x 58	175	290
RecLED 224x202mm 15200lm 740 8x8 Opt G1	1010 117 66046	20	1400	438 x 236 x 58	175	290
RecLED 224x202mm 15200lm 765 8x8 Opt G1	1010 117 66146	20	1400	438 x 236 x 58	175	290