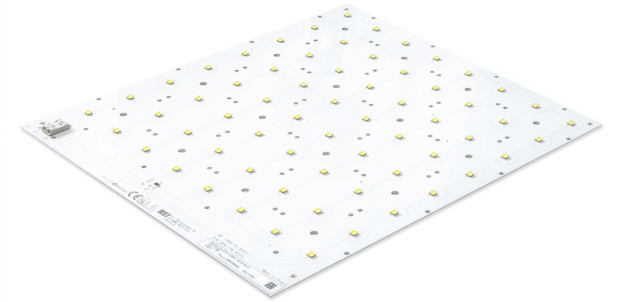


Outdoor LED modules

A rectangular solution for outdoor lighting. Compatible with standard 2x2 optics for example LEDiL Strada 2x2.

Product description

- Long life-time
- Built-in, constant current LED module
- Re-workable push-in terminals enabling easy connection
- Compliance and approval: CE
- Available CCT from 2200K to 6500K and CRI 80, 90



RecLED 173x151mm

Product name	Ordering code	Colour temperature [K]	Current nominal If nom [mA]	Luminous flux @ If nom & Tp Φ [lm]	Voltage @ If nom & Tp Vf [V]	Power @ If nom & Tp P [W]	Efficacy @ If nom & Tp [lm/W]	Current maximum If max [mA]
RecLED 173x151mm 8700lm 730 6x6 Opt G2	1010 117 91746	3000	520	8345	99	51	163	1500
RecLED 173x151mm 8700lm 740 6x6 Opt G2	1010 117 91846	4000	520	8875	99	51	173	1500
RecLED 173x151mm 8700lm 765 6x6 Opt G2	1010 117 91946	6500	520	8875	99	51	173	1500

RecLED 224x202mm

Product name	Ordering code	Colour temperature [K]	Current nominal If nom [mA]	Luminous flux @ If nom & Tp Φ [lm]	Voltage @ If nom & Tp Vf [V]	Power @ If nom & Tp P [W]	Efficacy @ If nom & Tp [lm/W]	Current maximum If max [mA]
RecLED 173x151mm 8700lm 730 6x6 Opt G2	1010 117 92046	3000	520	14835	175	91	163	1500
RecLED 173x151mm 8700lm 740 6x6 Opt G2	1010 117 92146	4000	520	15777	175	91	173	1500
RecLED 173x151mm 8700lm 765 6x6 Opt G2	1010 117 92246	6500	520	15777	175	91	173	1500

Tolerance range for optical and electrical ±10%

Temperature & humidity

Specification item	Unit	Value
Tp	[°C]	75
Tp rated	[°C]	75
Tc	[°C]	95
Relative humidity (non-condensing)	[%]	5 ... 85
Storage ambient temperature	[°C]	-25 ... +85
Storage relative humidity (non-condensing)	[%]	5 ... 85

Tp - Temperature related to the performance parameters of the LED modules
 Tp rated - Maximum operating temperature to which the rated performance characteristics are declared
 Tc - Highest permissible value for safe operation

Outdoor LED modules

Technical data

Specification item	Unit	Value
Classification acc. to IEC 62031	[V]	built-in
Energy Efficiency Class		A++
Working voltage	[Vdc]	420
Beam angle	[deg]	120
Initial color consistency	[SDCM]	5
Initial color coordinates		Acc. to CIE 1931
Photobiological safety		RG2 (RG1 @ >0,5m distance)

Certificates & standards

Specification item	Compliant
ENEC	No
CE	Yes
RoHS	Yes
REACH	Yes
Zhaga	Comply with book 15
IP rating	No IP rating

Lumen maintenance

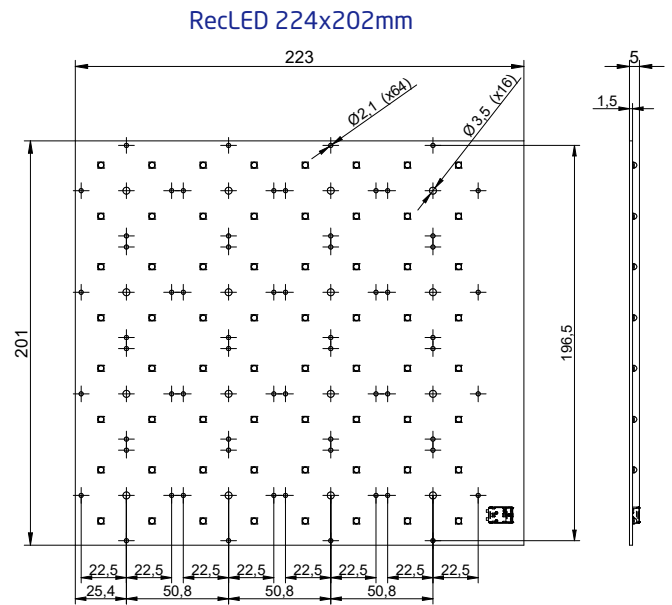
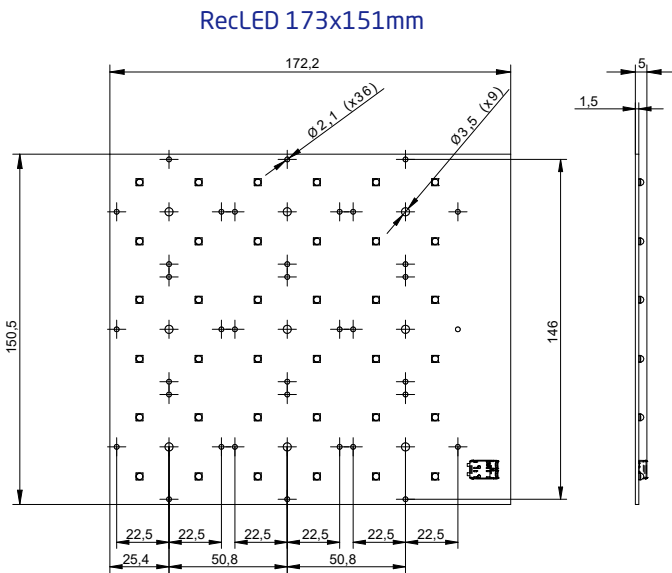
LinLED CRI 80

Forward current	Tp temperature	L70 [h]		L80 [h]		L90 [h]	
		B50	B10	B50	B10	B50	B10
If nom	75°C	>100 000	>100 000	>100 000	>100 000	>100 000	>100 000
	80°C	>100 000	>100 000	>100 000	>100 000	>100 000	>100 000
	85°C	>100 000	>100 000	>100 000	>100 000	>100 000	>100 000
	90°C	>100 000	>100 000	>100 000	>100 000	>100 000	>100 000
	95°C	>100 000	>100 000	>100 000	>100 000	>100 000	>100 000
If max	75°C	>100 000	>100 000	>100 000	>100 000	>100 000	>100 000
	80°C	>100 000	>100 000	>100 000	>100 000	>100 000	>100 000
	85°C	>100 000	>100 000	>100 000	>100 000	82 000	77 000
	90°C	>100 000	>100 000	>100 000	>100 000	58 000	54 000
	95°C	>100 000	>100 000	>100 000	>100 000	41 000	38 000

simulation based on LM80 LED data (10 000h)

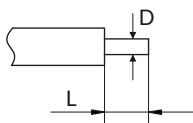
Outdoor LED modules

Dimensions



Wiring

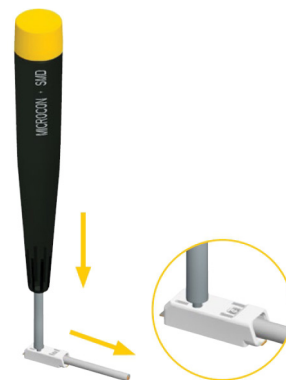
Wire cross section and strip length:



D - wire cross section <i>solid and flexible wires</i>	Min	Max
	0.2mm ²	0.75mm ²
	AWG 18	AWG 24

L - strip length	Min	Max
	8mm	9mm

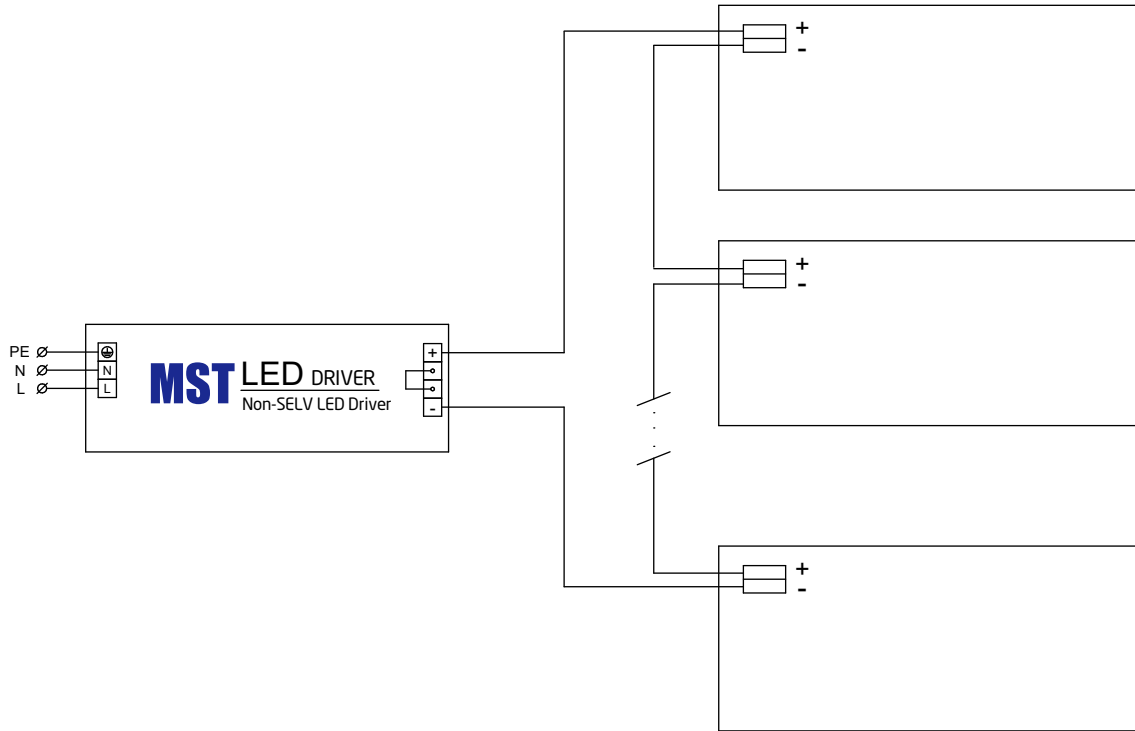
Opening for the release of wires from the top with release pin Electroterminal art. 881 167 884:



Connections

Max number of modules	Unit	Series	Parallel
RecLED 173x151mm 8700lm 730 6x6 Opt G2	[pcs]	4	-
RecLED 173x151mm 8700lm 740 6x6 Opt G2	[pcs]	4	-
RecLED 173x151mm 8700lm 765 6x6 Opt G2	[pcs]	4	-
RecLED 173x151mm 8700lm 730 6x6 Opt G2	[pcs]	2	-
RecLED 173x151mm 8700lm 740 6x6 Opt G2	[pcs]	2	-
RecLED 173x151mm 8700lm 765 6x6 Opt G2	[pcs]	2	-

Outdoor LED modules



Mounting

LED Modules cannot be exposed to tensile or compressive stresses. For this purpose it is necessary that the modules are assembled to a flat surface by only rounded head screws. Additionally plastic flat washer should be used to ensure creepeage distance between screw's head and surface of the pcb. Max. torque for fixing: 0,5Nm.

LED modules are sensitive to electrostatic discharge (ESD). Follow safety regulations according to IEC 61340-5-1.

Ordering codes

Specification item	Ordering code	Pieces per box	Pieces per pallet
RecLED 173x151mm 8700lm 730 6x6 Opt G2	1010 117 91746	20	2400
RecLED 173x151mm 8700lm 740 6x6 Opt G2	1010 117 91846	20	2400
RecLED 173x151mm 8700lm 765 6x6 Opt G2	1010 117 91946	20	2400
RecLED 173x151mm 8700lm 730 6x6 Opt G2	1010 117 92046	20	1400
RecLED 173x151mm 8700lm 740 6x6 Opt G2	1010 117 92146	20	1400
RecLED 173x151mm 8700lm 765 6x6 Opt G2	1010 117 92246	20	1400