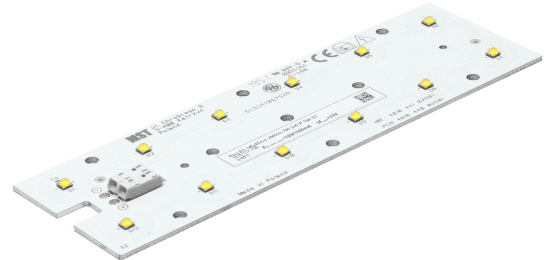


## Outdoor LED modules IP G1

A rectangular solution for outdoor lighting. Compatible with standard IP 2x6 optics for example LEDiL Strada IP-2x6.

### Product description

- Long life-time
- Built-in, constant current LED module
- Re-workable push-in terminals enabling easy connection
- Compliance and approval: CE, ENEC
- Available CCT from 2200K to 6500K and CRI 80, 90
- Minimum driving current 200mA



### RecLED 2x6 IP

	Ordering code	Colour temperature [K]	Current nominal If nom [mA]	Luminous flux* Φ [lm]	Voltage* Vf [V]	Power* P [W]	Efficacy* [lm/W]	Current maximum If max [mA]
<b>RecLED 146x45mm 2900lm 730 2x6 IP Opt G1</b>	1010 117 73846	3000	520	2693	33	17	158	1500
<b>RecLED 146x45mm 2900lm 740 2x6 IP Opt G1</b>	1010 117 73946	4000	520	2870	33	17	168	1500
<b>RecLED 146x45mm 2900lm 765 2x6 IP Opt G1</b>	1010 117 74046	6500	520	2870	33	17	168	1500

\*At nominal current and T<sub>p</sub>  
Tolerance range for optical and electrical ±10%

### Temperature & humidity

Specification item	Unit	Value
<b>T<sub>p</sub></b>	[°C]	75
<b>T<sub>p</sub> rated</b>	[°C]	75
<b>T<sub>c</sub></b>	[°C]	95
<b>Relative humidity (non-condensing)</b>	[%]	5 ... 85
<b>Storage ambient temperature</b>	[°C]	-25 ... +85
<b>Storage relative humidity (non-condensing)</b>	[%]	5 ... 85

T<sub>p</sub> - Temperature related to the performance parameters of the LED modules  
T<sub>p</sub> rated - Maximum operating temperature to which the rated performance characteristics are declared  
T<sub>c</sub> - Highest permissible value for safe operation

## Outdoor LED modules IP G1

### Technical data

Specification item	Unit	Value
Classification acc. to IEC 62031	[V]	built-in
Energy Efficiency Class		A++
Working voltage	[Vdc]	420
Beam angle	[deg]	120
Initial color consistency	[SDCM]	5
Initial color coordinates		Acc. to CIE 1931
Photobiological safety		RG2 (RG1 @ >0,5m distance)

### Certificates & standards

Specification item	Compliant
ENEC	Yes
CE	Yes
RoHS	Yes
REACH	Yes
Zhaga	Comply with book 15
IP rating	No IP rating

### Lumen maintenance

#### RecLED CRI 70

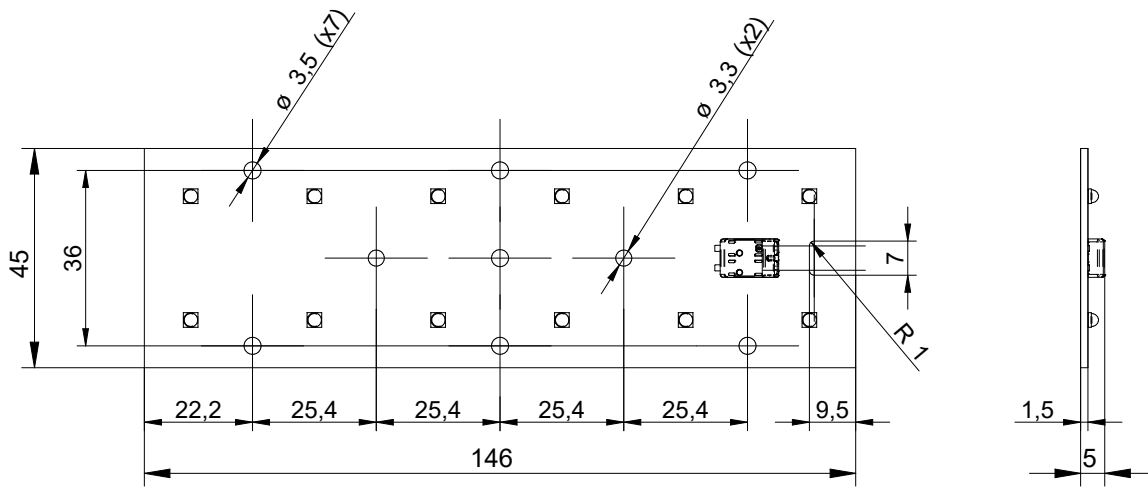
Forward current	Tp temperature	L70 [h]		L80 [h]		L90 [h]	
		B50	B10	B50	B10	B50	B10
If nom	75°C	>100 000	>100 000	>100 000	>100 000	>100 000	>100 000
	80°C	>100 000	>100 000	>100 000	>100 000	>100 000	>100 000
	85°C	>100 000	>100 000	>100 000	>100 000	>100 000	>100 000
	90°C	>100 000	>100 000	>100 000	>100 000	>100 000	>100 000
	95°C	>100 000	>100 000	>100 000	>100 000	>100 000	>100 000
If max	75°C	>100 000	>100 000	>100 000	>100 000	>100 000	>100 000
	80°C	>100 000	>100 000	>100 000	>100 000	>100 000	>100 000
	85°C	>100 000	>100 000	>100 000	>100 000	82 000	77 000
	90°C	>100 000	>100 000	>100 000	>100 000	58 000	54 000
	95°C	>100 000	>100 000	>100 000	>100 000	41 000	38 000

simulation based on LM80 LED data (10 000h)

## Outdoor LED modules IP G1

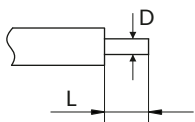
### Dimensions

RecLED 146x45mm 2x6 IP



### Wiring

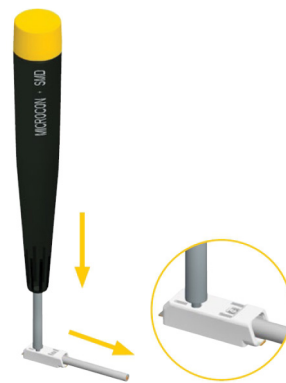
Wire cross section and strip length:



	Min	Max
D - wire cross section <i>solid and flexible wires</i>	0.2mm <sup>2</sup>	0.75mm <sup>2</sup>
	AWG 18	AWG 24

	Min	Max
L - strip length	8mm	9mm

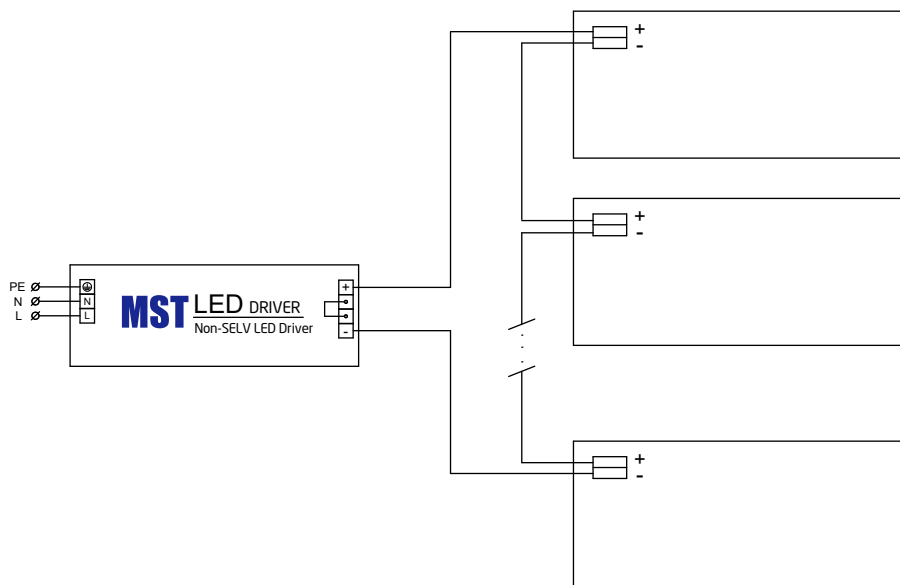
Opening for the release of wires from the top with release pin Electroterminal art. 881 167 884:



## Outdoor LED modules IP G1

### Connections

Max number of modules	Unit	Series	Parallel
RecLED 146x45mm	[pcs]	12	-



### Mounting

LED Modules cannot be exposed to tensile or compressive stresses. For this purpose it is necessary that the modules are assembled to a flat surface by only rounded head screws. Additionally plastic flat washer should be used to ensure creepeage distance between screw's head and surface of the pcb. Max. torque for fixing: 0,5Nm.

LED modules are sensitive to electrostatic discharge (ESD). Follow safety regulations according to IEC 61340-5-1.

### Ordering codes

Specification item	Ordering code	Pieces per box	Pieces per pallet	Box dimensions [mm]	Product weight [g]	Gross weight [kg]
RecLED 146x45mm 2900lm 730 2x6 IP Opt G1	1010 117 73846	60	9600	298 x 178 x 58	28	320
RecLED 146x45mm 2900lm 740 2x6 IP Opt G1	1010 117 73946	60	9600	298 x 178 x 58	28	320
RecLED 146x45mm 2900lm 765 2x6 IP Opt G1	1010 117 74046	60	9600	298 x 178 x 58	28	320