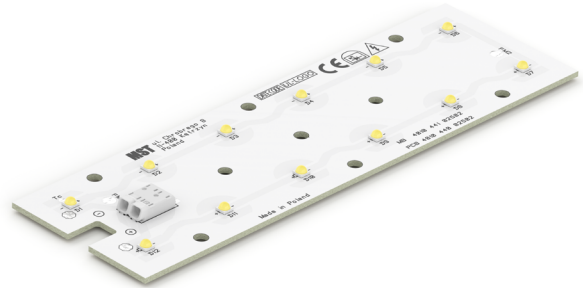


Outdoor LED modules IP

A rectangular solution for outdoor lighting. Compatible with standard 2x6 optics for example LEDiL Strada IP-2x6.

Product description

- Long life-time
- Built-in, constant current LED module
- Re-workable push-in terminals enabling easy connection
- Compliance and approval: CE, ENEC
- Available CCT from 2700K to 6500K and CRI 70, 80, 90, 95



RecLED 146x45mm 2x6 IP CRI 70 Optimum G2

Product name	Ordering code	Colour temperature [K]	Current nominal If nom [mA]	Luminous flux ¹ φ [lm]	Useful luminous flux ² [lm]	Voltage ¹ Vf [V]	Power ¹ P [W]	Efficacy ¹ [lm/W]	Current minimum If min ³ [mA]	Current maximum If max [mA]	Energy Efficiency Class
RecLED 146x45mm 2900lm 730 2x6 IP Opt G2	1010 117 74146	3000	520	2782	2997	33	17	163	200	1500	C
RecLED 146x45mm 2900lm 740 2x6 IP Opt G2	1010 117 74246	4000	520	2958	3187	33	17	173	200	1500	C

RecLED 146x45mm 2x6 IP CRI 70 Optimum G1

Product name	Ordering code	Colour temperature [K]	Current nominal If nom [mA]	Luminous flux ¹ φ [lm]	Useful luminous flux ² [lm]	Voltage ¹ Vf [V]	Power ¹ P [W]	Efficacy ¹ [lm/W]	Current minimum If min ³ [mA]	Current maximum If max [mA]	Energy Efficiency Class
RecLED 146x45mm 2900lm 730 2x6 IP Opt G1	1010 117 73846	3000	520	2693	2902	33	17	158	200	1500	D
RecLED 146x45mm 2900lm 740 2x6 IP Opt G1	1010 117 73946	4000	520	2870	3092	33	17	168	200	1500	C
RecLED 146x45mm 2900lm 765 2x6 IP Opt G1	1010 117 74046	6500	520	2870	3092	33	17	168	200	1500	C

¹At nominal current and T_p

²At nominal current and 25°C

³It is recommended not to operate below minimum current in order to avoid un-even brightness

Tolerance range for optical and electrical ±10%

Temperature & humidity

Specification item	Unit	Value
T _p	[°C]	75
T _p rated	[°C]	75
T _c	[°C]	95
Relative humidity (non-condensing)	[%]	5 ... 85
Storage ambient temperature	[°C]	-25 ... +85
Storage relative humidity (non-condensing)	[%]	5 ... 85

T_p - Temperature related to the performance parameters of the LED modules

T_p rated - Maximum operating temperature to which the rated performance characteristics are declared

T_c - Highest permissible value for safe operation

Technical data

Specification item	Unit	Value
Classification acc. to IEC 62031		built-in
Working voltage	[Vdc]	420
Beam angle	[deg]	120
Initial color consistency	[SDCM]	5
Photobiological safety		RG2 (RG1 at >0.5m distance)

Outdoor LED modules IP

Wiring

Wire cross section and strip length:



D - wire cross section (solid and flexible wires)	Min	Max
	0.2mm ²	0.75mm ²
	AWG 24	AWG 18

L - strip length	Min	Max
	8mm	9mm

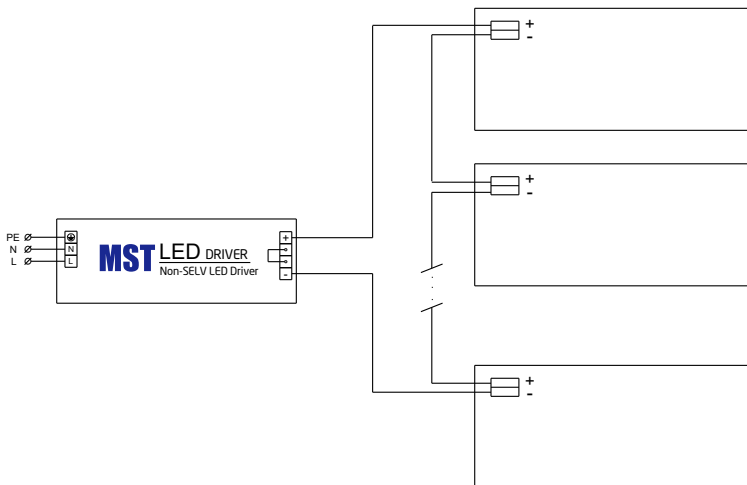
Opening for the release of wires from the top with release pin Electroterminal art. 881 167 884:



Connections

Max number of modules	Unit	Series	Parallel
RecLED 146x45mm 2x6	[pcs]	11	-

Wiring for series connection system



Energy Label / EPREL database

To obtain Energy Label for this product visit <https://eprel.ec.europa.eu/> and enter model identifier

Model identifier consists of 10 digits XXXX XXX XXX. It is printed directly on the LED module or on product label. This is the number you can see in EPREL database.

Ordering code consist of 12 digits XXXX XXX XXX46. Additional last two digits means packaging of the product.

Ordering codes

Product name	Ordering code	Pieces per box	Pieces per pallet	Box dimensions [mm]
RecLED 146x45mm 2900lm 730 2x6 IP Opt G2	1010 117 74146	60	9600	298 x 178 x 58
RecLED 146x45mm 2900lm 740 2x6 IP Opt G2	1010 117 74246	60	9600	298 x 178 x 58
RecLED 146x45mm 2900lm 730 2x6 IP Opt G1	1010 117 73846	60	9600	298 x 178 x 58
RecLED 146x45mm 2900lm 740 2x6 IP Opt G1	1010 117 73946	60	9600	298 x 178 x 58
RecLED 146x45mm 2900lm 765 2x6 IP Opt G1	1010 117 74046	60	9600	298 x 178 x 58