

Rectangular LED modules 147x47mm STRADA-IP-24

A rectangular solution for indoor and outdoor lighting. Optimized for LEDiL's STRADA-IP-24 optics.

Product description

- Long life-time
- Built-in, constant current LED module
- Re-workable push-in terminals enabling easy connection
- Compliance and approval: CE
- Other CCT and on request



RecLED CRI 70 LHP G6

Product name	Ordering code	Colour temperature [K]	Current nominal If nom [mA]	Luminous flux ¹ φ [lm]	Useful luminous flux ² [lm]	Voltage ¹ Vf [V]	Power ¹ P [W]	Efficacy ¹ [lm/W]	Current minimum If min ³ [mA]	Current maximum If max [mA]	Energy Efficiency Class
RecLED 147x47mm 5800lm 730 72V 3x8 5050 STRADA-IP-24 LHP G6	1010 147 89646	3000	440	5701	5910	65	29	199	80	1600	B
RecLED 147x47mm 5800lm 740 72V 3x8 5050 STRADA-IP-24 LHP G6	1010 147 89746	4000	440	6013	6234	65	29	210	80	1600	B

RecLED CRI 70 S9 G5

Product name	Ordering code	Colour temperature [K]	Current nominal If nom [mA]	Luminous flux ¹ φ [lm]	Useful luminous flux ² [lm]	Voltage ¹ Vf [V]	Power ¹ P [W]	Efficacy ¹ [lm/W]	Current minimum If min ³ [mA]	Current maximum If max [mA]	Energy Efficiency Class
RecLED 147x47mm 5800lm 730 72V 3x8 5050 STRADA-IP-24 S9 G5	1010 147 89846	3000	440	5692	5843	66	29	197	80	1600	B
RecLED 147x47mm 5800lm 740 72V 3x8 5050 STRADA-IP-24 S9 G5	1010 147 89946	4000	440	5988	6147	66	29	207	80	1600	B

¹At nominal current and T_p

²At nominal current and 25°C

³It is recommended not to operate below minimum current in order to avoid un-even brightness

Tolerance range for optical and electrical ±10%

Temperature & humidity

Specification item	Unit	Value
T _p	[°C]	55
T _p rated	[°C]	55
T _c	[°C]	95
Relative humidity (non-condensing)	[%]	5 ... 85
Storage ambient temperature	[°C]	-25 ... +85
Storage relative humidity (non-condensing)	[%]	5 ... 85

T_p - Temperature related to the performance parameters of the LED modules

T_p rated - Maximum operating temperature to which the rated performance characteristics are declared

T_c - Highest permissible value for safe operation

Technical data

Specification item	Unit	Value
Classification acc. to IEC 62031		built-in
Working voltage	[Vdc]	160
Beam angle	[deg]	120
Initial color consistency	[SDCM]	5
Photobiological safety		RG2 (RG1 @ >0.5m distance)

Color coordinates

According to CIE 1931

Specification item	CIE _x	CIE _y
3000K	0.4338	0.4030
4000K	0.3818	0.3797

Rectangular LED modules 147x47mm STRADA-IP-24

Certificates & standards

Specification item	Compliant
ENEC	Pending
CE	Yes
RoHS	Yes
REACH	Yes
IP rating	No IP rating

Lumen maintenance

LHP G6

Forward current	Tp temp.	L70 [h]		L80 [h]		L90 [h]	
		B50	B10	B50	B10	B50	B10
If nom	55°C	>102 000	>102 000	>102 000	>102 000	>102 000	>102 000
	65°C	>102 000	>102 000	>102 000	>102 000	>102 000	>102 000
	75°C	>102 000	>102 000	>102 000	>102 000	>102 000	>102 000
	85°C	>102 000	>102 000	>102 000	>102 000	>102 000	>102 000
	95°C	>102 000	>102 000	>102 000	>102 000	>102 000	>102 000
1500mA	55°C	>102 000	>102 000	>102 000	>102 000	>102 000	>102 000
	65°C	>102 000	>102 000	>102 000	>102 000	96 000	95 000
	75°C	>102 000	>102 000	>102 000	>102 000	94 000	93 000
	85°C	>102 000	>102 000	>102 000	>102 000	84 000	84 000
	95°C	>102 000	>102 000	99 000	96 000	42 000	41 000

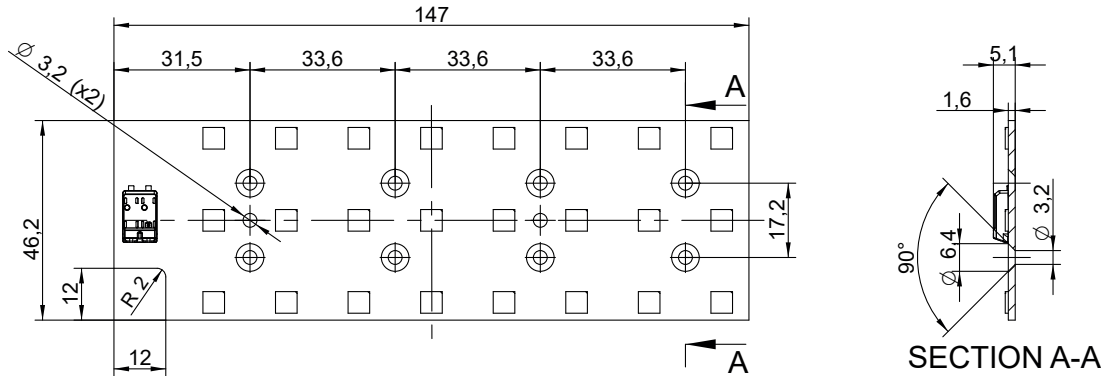
Reported data based on LM80 LED data (17 000h)

S9 G5

Forward current	Tp temp.	L70 [h]		L80 [h]		L90 [h]	
		B50	B10	B50	B10	B50	B10
If nom	55°C	>120 000	>120 000	>120 000	>120 000	101 000	99 000
	65°C	>120 000	>120 000	>120 000	>120 000	88 000	87 000
	75°C	>120 000	>120 000	>120 000	>120 000	80 000	76 000
	85°C	>120 000	>120 000	>120 000	>120 000	72 000	67 000
	95°C	>120 000	>120 000	>120 000	>120 000	66 000	59 000
If max	55°C	>120 000	>120 000	>120 000	>120 000	65 000	69 000
	65°C	>120 000	106 000	100 000	53 000	54 000	29 000
	75°C	>120 000	78 000	78 000	44 000	43 000	22 000
	85°C	>120 000	59 000	61 000	37 000	35 000	17 000
	95°C	102 000	45 000	49 000	31 000	28 000	13 000

Reported data based on LM80 LED data (20 000h)

Dimensions



Mounting

LED Modules cannot be exposed to tensile or compressive stresses. For this purpose it is necessary that the modules are assembled to a flat surface by only rounded head screws. Additionally plastic flat washer should be used to ensure creepage distance between screw's head and surface of the pcb. Max. torque for fixing: 0,5Nm.

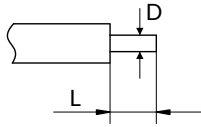
LED modules are sensitive to electrostatic discharge (ESD). Follow safety regulations according to IEC 61340-5-1.

Protection against electric shock must be provided by the luminaire's enclosure.

Rectangular LED modules 147x47mm STRADA-IP-24

Wiring

Wire cross section and strip length:



D - wire cross section (solid and flexible wires)	Min	Max
	0.2mm ²	0.75mm ²
	AWG 24	AWG 18

L - strip length	Min	Max
	8mm	9mm

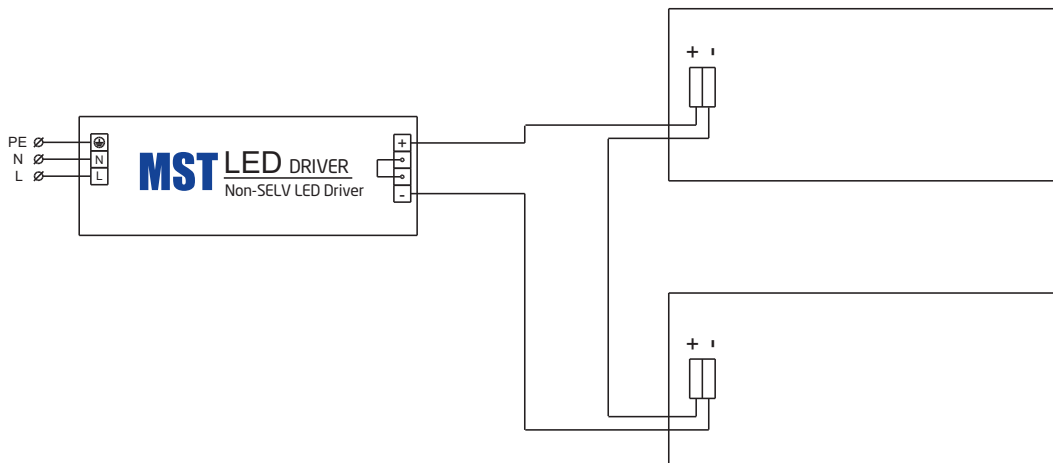
Opening for the release of wires from the top with release pin Electroterminal art. 881 167 884:



Connections

Max number of modules	Unit	Series	Parallel
RecLED 147x47mm...	[pcs]	2	-

Wiring for series connection system



Energy Label / EPREL database

To obtain Energy Label for this product visit <https://eprel.ec.europa.eu/> and enter model identifier

Model identifier consists of 10 digits XXXX XXX XXX. It is printed directly on the LED module or on product label. This is the number you can see in EPREL database.

Ordering code consist of 12 digits XXXX XXX XXX46. Additional last two digits means packaging of the product.

Ordering codes

Product name	Ordering code	Pieces per box	Pieces per pallet	Box dimensions [mm]
RecLED 147x47mm 5800lm 730 72V 3x8 5050 STRADA-IP-24 LHP G6	1010 147 89646	114	13680	300 x 266 x 83
RecLED 147x47mm 5800lm 740 72V 3x8 5050 STRADA-IP-24 LHP G6	1010 147 89746	114	13680	300 x 266 x 83
RecLED 147x47mm 5800lm 730 72V 3x8 5050 STRADA-IP-24 S9 G5	1010 147 89846	114	13680	300 x 266 x 83
RecLED 147x47mm 5800lm 740 72V 3x8 5050 STRADA-IP-24 S9 G5	1010 147 89946	114	13680	300 x 266 x 83