

Rectangular LED modules 147x47mm STRADA-IP-24

A rectangular solution for indoor and outdoor lighting. Compatible with LEDiL's STRADA-IP-24 optics.

Product description

- Long life-time
- Built-in, constant current LED module
- Re-workable push-in terminals enabling easy connection
- Compliance and approval: CE
- Available CCT from 2700K to 6500K and CRI 70, 80



RecLED CRI 70 Optimum G2

Product name	Ordering code	Colour temperature [K]	Current nominal If nom [mA]	Luminous flux* ϕ [lm]	Voltage* Vf [V]	Power* P [W]	Efficacy* [lm/W]	Current maximum If max [mA]
RecLED 147x47mm 5800lm 730 3x8 5050 IP Opt G2	1010 117 95246	3000	460	5507	65	30	184	1500
RecLED 147x47mm 5800lm 740 3x8 5050 IP Opt G2	1010 117 95346	4000	460	5769	65	30	193	1500

*At nominal current and Tp
Tolerance range for optical and electrical $\pm 10\%$

Temperature & humidity

Specification item	Unit	Value
Tp	[°C]	75
Tp rated	[°C]	75
Tc	[°C]	95
Relative humidity (non-condensing)	[%]	5 ... 85
Storage ambient temperature	[°C]	-25 ... +85
Storage relative humidity (non-condensing)	[%]	5 ... 85

Tp - Temperature related to the performance parameters of the LED modules
Tp rated - Maximum operating temperature to which the rated performance characteristics are declared
Tc - Highest permissible value for safe operation

Technical data

Specification item	Unit	Value
Classification acc. to IEC 62031		built-in
Energy Efficiency Class		A++
Working voltage	[Vdc]	160
Beam angle	[deg]	120
Initial color consistency	[SDCM]	5
Initial color coordinates		Acc. to CIE 1931
Photobiological safety		RG2 (RG1 @ >0.5m distance)

Rectangular LED modules 147x47mm STRADA-IP-24

Certificates & standards

Specification item	Compliant
ENEC	No
CE	Yes
RoHS	Yes
REACH	Yes
Zhaga	No
IP rating	No IP rating

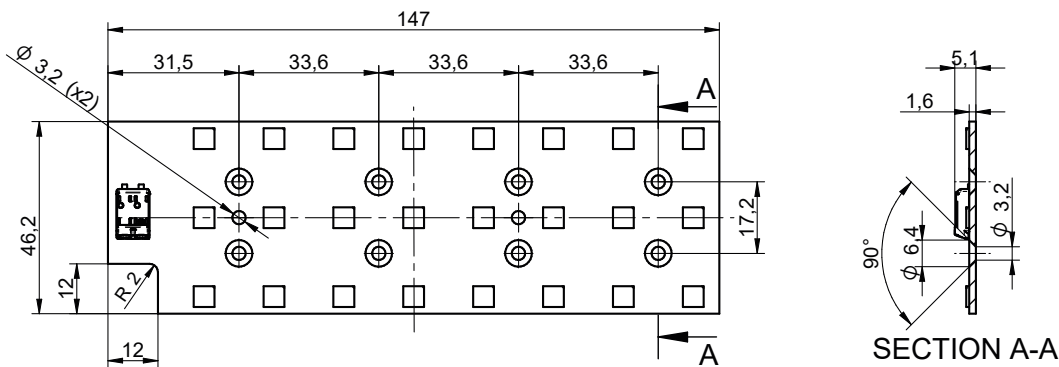
Lumen maintenance

RecLED CRI 70

Forward current	Tp temp.	L70 [h]		L80 [h]		L90 [h]	
		B50	B10	B50	B10	B50	B10
If nom	75°C	>100 000	>100 000	>100 000	>100 000	>100 000	>100 000
	80°C	>100 000	>100 000	>100 000	>100 000	>100 000	>100 000
	85°C	>100 000	>100 000	>100 000	>100 000	>100 000	>100 000
	90°C	>100 000	>100 000	>100 000	>100 000	>100 000	>100 000
	95°C	>100 000	>100 000	>100 000	>100 000	92 000	88 000
If max	75°C	>100 000	>100 000	>100 000	>100 000	>100 000	>100 000
	80°C	>100 000	>100 000	>100 000	>100 000	>100 000	92 000
	85°C	>100 000	>100 000	>100 000	>100 000	73 000	64 000
	90°C	>100 000	>100 000	>100 000	>100 000	47 000	41 000
	95°C	>100 000	>100 000	92 000	83 000	30 000	27 000

calculated data based on LM80 LED data (10 000h)

Dimensions



Mounting

LED Modules cannot be exposed to tensile or compressive stresses. For this purpose it is necessary that the modules are assembled to a flat surface by only rounded head screws. Additionally plastic flat washer should be used to ensure creepage distance between screw's head and surface of the pcb. Max. torque for fixing: 0,5Nm.

LED modules are sensitive to electrostatic discharge (ESD). Follow safety regulations according to IEC 61340-5-1.

Rectangular LED modules 147x47mm STRADA-IP-24

Wiring

Wire cross section and strip length:



D - wire cross section (solid and flexible wires)	Min	Max
	0.2mm ²	0.75mm ²
	AWG 24	AWG 18

L - strip length	Min	Max
	8mm	9mm

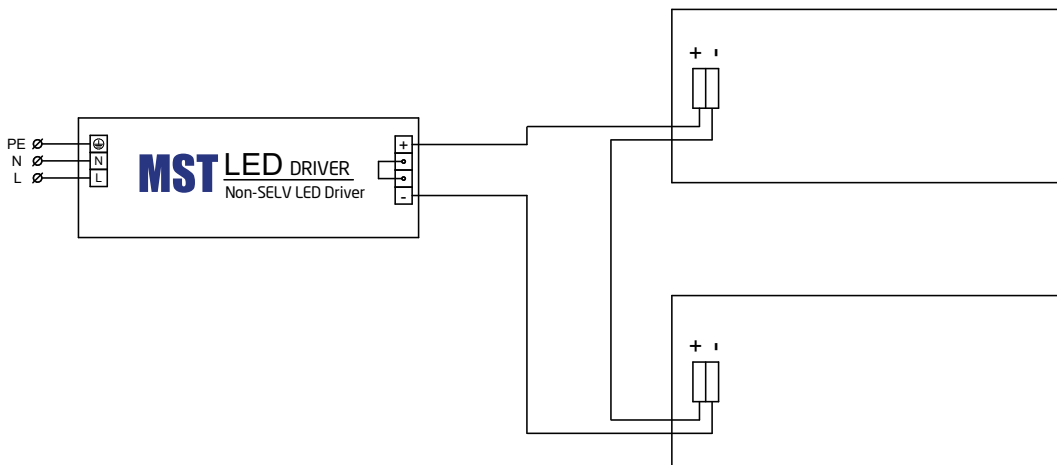
Opening for the release of wires from the top with release pin Electroterminal art. 881 167 884:



Connections

Max number of modules	Unit	Series	Parallel
RecLED 147x47mm...	[pcs]	2	-

Wiring for series connection system



Ordering codes

Product name	Ordering code	Pieces per box	Pieces per pallet	Box dimensions [mm]
RecLED 147x47mm 5800lm 730 3x8 5050 IP Opt G2	1010 117 95246	60	9600	298 x 178 x 58
RecLED 147x47mm 5800lm 740 3x8 5050 IP Opt G2	1010 117 95346	60	9600	298 x 178 x 58