

Outdoor LED modules 3535

A rectangular solution for outdoor lighting. Compatible with standard 2x2 optics for example LEDiL's STRADA-2X2

Product description

- Long life-time
- Built-in, constant current LED module
- Re-workable push-in terminals enabling easy connection
- Compliance and approval: CE, ENEC, ENEC+
- Available CCT from 1800K to 6500K and CRI 70, 80, 90



The number and type of connectors may vary depending on the type of module.

RecLED 122x50mm 2x4 3535 CRI 70 NTC Optimum G2

Product name	Ordering code	Colour temperature [K]	Current nominal If nom [mA]	Luminous flux ¹ φ [lm]	Useful luminous flux ² [lm]	Voltage ¹ Vf [V]	Power ¹ P [W]	Efficacy ¹ [lm/W]	Current minimum If min ³ [mA]	Current maximum If max [mA]	Energy Efficiency Class
RecLED 122x50mm 1900lm 730 2x4 3535 NTC Opt G2	1010 127 70046	3000	500	1923	2072	23	11	171	100	1500	B
RecLED 122x50mm 1900lm 740 2x4 3535 NTC Opt G2	1010 127 70146	4000	500	2040	2198	23	11	181	100	1500	A
RecLED 122x50mm 1900lm 757 2x4 3535 NTC Opt G2	1010 127 70246	5700	500	2098	2261	23	11	186	100	1500	A

RecLED 122x50mm 2x4 3535 CRI 70 Optimum G2

Product name	Ordering code	Colour temperature [K]	Current nominal If nom [mA]	Luminous flux ¹ φ [lm]	Useful luminous flux ² [lm]	Voltage ¹ Vf [V]	Power ¹ P [W]	Efficacy ¹ [lm/W]	Current minimum If min ³ [mA]	Current maximum If max [mA]	Energy Efficiency Class
RecLED 122x50mm 1900lm 722 2x4 3535 Opt G2	1010 127 80946	2200	500	1629	1756	22	11	147	100	1500	C
RecLED 122x50mm 1900lm 727 2x4 3535 Opt G2	1010 127 80746	2700	500	1804	1944	22	11	163	100	1500	B
RecLED 122x50mm 1900lm 730 2x4 3535 Opt G2	1010 117 28246	3000	500	1862	2006	22	11	168	100	1500	B
RecLED 122x50mm 1900lm 740 2x4 3535 Opt G2	1010 117 28346	4000	500	1978	2132	22	11	179	100	1500	B

RecLED 173x50mm 2x6 3535 CRI 70 NTC Optimum G2

Product name	Ordering code	Colour temperature [K]	Current nominal If nom [mA]	Luminous flux ¹ φ [lm]	Useful luminous flux ² [lm]	Voltage ¹ Vf [V]	Power ¹ P [W]	Efficacy ¹ [lm/W]	Current minimum If min ³ [mA]	Current maximum If max [mA]	Energy Efficiency Class
RecLED 173x50mm 2900lm 730 2x6 3535 NTC Opt G2	1010 127 70346	3000	500	2885	3109	34	17	171	100	1500	B
RecLED 173x50mm 2900lm 740 2x6 3535 NTC Opt G2	1010 127 70446	4000	500	3060	3297	34	17	181	100	1500	A
RecLED 173x50mm 2900lm 757 2x6 3535 NTC Opt G2	1010 127 70546	5700	500	3147	3391	34	17	186	100	1500	A

RecLED 173x50mm 2x6 3535 CRI 70 Optimum G2

Product name	Ordering code	Colour temperature [K]	Current nominal If nom [mA]	Luminous flux ¹ φ [lm]	Useful luminous flux ² [lm]	Voltage ¹ Vf [V]	Power ¹ P [W]	Efficacy ¹ [lm/W]	Current minimum If min ³ [mA]	Current maximum If max [mA]	Energy Efficiency Class
RecLED 173x50mm 2900lm 722 2x6 3535 Opt G2	1010 127 81046	2200	500	2444	2633	33	17	147	100	1500	C
RecLED 173x50mm 2900lm 727 2x6 3535 Opt G2	1010 127 50946	2700	500	2706	2916	33	17	163	100	1500	B
RecLED 173x50mm 2900lm 730 2x6 3535 Opt G2	1010 117 28746	3000	500	2793	3010	33	17	168	100	1500	B
RecLED 173x50mm 2900lm 740 2x6 3535 Opt G2	1010 117 28846	4000	500	2968	3198	33	17	179	100	1500	B

RecLED 224x50mm 2x8 3535 CRI 70 NTC Optimum G2

Product name	Ordering code	Colour temperature [K]	Current nominal If nom [mA]	Luminous flux ¹ φ [lm]	Useful luminous flux ² [lm]	Voltage ¹ Vf [V]	Power ¹ P [W]	Efficacy ¹ [lm/W]	Current minimum If min ³ [mA]	Current maximum If max [mA]	Energy Efficiency Class
RecLED 224x50mm 3800lm 730 2x8 3535 NTC Opt G2	1010 127 70646	3000	500	3847	4145	45	23	171	100	1500	B
RecLED 224x50mm 3800lm 740 2x8 3535 NTC Opt G2	1010 127 70746	4000	500	4080	4396	45	23	181	100	1500	A
RecLED 224x50mm 3800lm 757 2x8 3535 NTC Opt G2	1010 127 70846	5700	500	4196	4522	45	23	186	100	1500	A

Outdoor LED modules 3535

RecLED 224x50mm 2x8 3535 CRI 70 Optimum G2

Product name	Ordering code	Colour temperature [K]	Current nominal If nom [mA]	Luminous flux ¹ φ [lm]	Useful luminous flux ² [lm]	Voltage ¹ Vf [V]	Power ¹ P [W]	Efficacy ¹ [lm/W]	Current minimum If min ³ [mA]	Current maximum If max [mA]	Energy Efficiency Class
RecLED 224x50mm 3800lm 722 2x8 3535 Opt G2	1010 127 81146	2200	500	3259	3511	44	22	147	100	1500	C
RecLED 224x50mm 3800lm 727 2x8 3535 Opt G2	1010 127 80846	2700	500	3608	3887	44	22	163	100	1500	B
RecLED 224x50mm 3800lm 730 2x8 3535 Opt G2	1010 117 29246	3000	500	3724	4013	44	22	168	100	1500	B
RecLED 224x50mm 3800lm 740 2x8 3535 Opt G2	1010 117 29346	4000	500	3957	4264	44	22	179	100	1500	B

RecLED 3535 CRI 70 Optimum G1

Product name	Ordering code	Colour temperature [K]	Current nominal If nom [mA]	Luminous flux ¹ φ [lm]	Useful luminous flux ² [lm]	Voltage ¹ Vf [V]	Power ¹ P [W]	Efficacy ¹ [lm/W]	Current minimum If min ³ [mA]	Current maximum If max [mA]	Energy Efficiency Class
RecLED 122x50mm 1900lm 718 2x4 3535 Opt G1	1010 127 31546	1800	520	1370	1491	22	12	118	100	1500	E
RecLED 173x50mm 2900lm 718 2x6 3535 Opt G1	1010 127 29446	1800	520	2055	2236	34	17	118	100	1500	E
RecLED 224x50mm 3800lm 718 2x8 3535 Opt G1	1010 127 29546	1800	520	2741	2982	45	23	118	100	1500	E

¹At nominal current and T_p

²At nominal current and 25°C

³It is recommended not to operate below minimum current in order to avoid un-even brightness

Tolerance range for optical and electrical ±10%

Temperature & humidity

Specification item	Unit	Value
T _p	[°C]	75
T _p rated	[°C]	75
T _c	[°C]	95
Relative humidity (non-condensing)	[%]	5 ... 85
Storage ambient temperature	[°C]	-25 ... +85
Storage relative humidity (non-condensing)	[%]	5 ... 85

T_p - Temperature related to the performance parameters of the LED modules

T_p rated - Maximum operating temperature to which the rated performance characteristics are declared

T_c - Highest permissible value for safe operation

Technical data

Specification item	Unit	Value
Classification acc. to IEC 62031		built-in
Working voltage	[Vdc]	420
Beam angle	[deg]	128
Initial color consistency	[SDCM]	5
Photobiological safety		RG1
NTC type	[kΩ]	10'

¹Murata NCP18XH103J03RB

Color coordinates

According to CIE 1931

Specification item	CIEx	CIEy
1800K	0.5500	0.4080
2200K	0.5020	0.4160
2700K	0.4578	0.4101
3000K	0.4338	0.4030
4000K	0.3818	0.3797
6500K	0.3123	0.3282

Outdoor LED modules 3535

Certificates & standards

Specification item	RecLED 3535 Opt G2	RecLED 3535 Opt G1	RecLED 3535 2200K
ENEC	Yes	Yes	No
ENEC+	Yes	No	No
CE	Yes	Yes	Yes
RoHS	Yes	Yes	Yes
REACH	Yes	Yes	Yes
Zhaga	Comply with Book 15	Comply with Book 15	Comply with Book 15
IP rating	No IP rating	No IP rating	No IP rating

Lumen maintenance

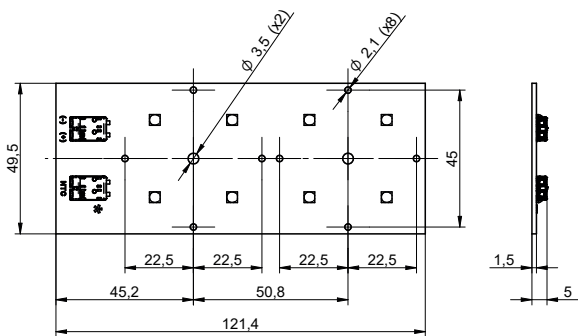
RecLED CRI 70

Forward current	Tp temp.	L70 [h]		L80 [h]		L90 [h]	
		B50	B10	B50	B10	B50	B10
If nom	75°C	>102 000	>102 000	>102 000	>102 000	>102 000	>102 000
	80°C	>102 000	>102 000	>102 000	>102 000	>102 000	>102 000
	85°C	>102 000	>102 000	>102 000	>102 000	>102 000	>102 000
	90°C	>102 000	>102 000	>102 000	>102 000	>102 000	>102 000
	95°C	>102 000	>102 000	>102 000	>102 000	>102 000	>102 000

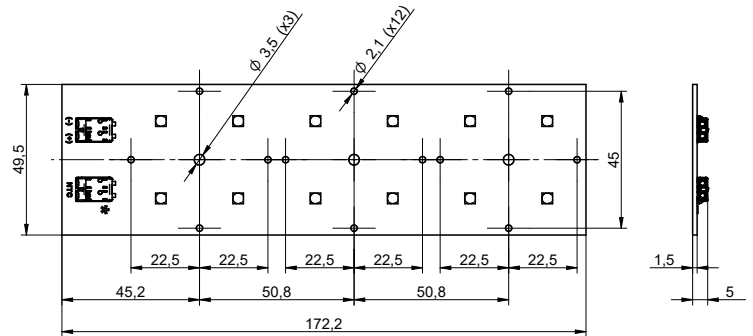
reported data based on LM80 LED data 17 000h

Dimensions

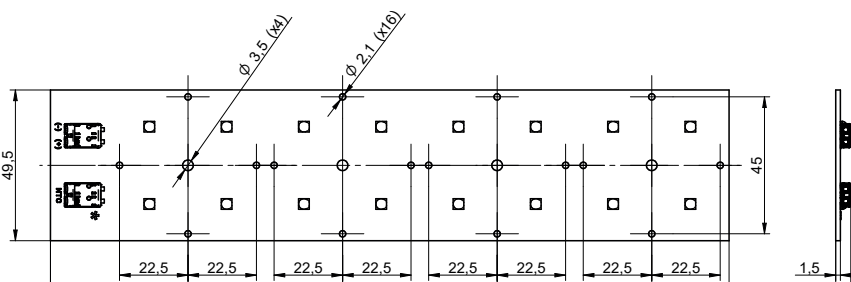
RecLED 122x50mm 2x4



RecLED 173x50mm 2x6



RecLED 224x50mm 2x8



*only modules with NTC

Mounting

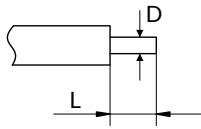
LED Modules cannot be exposed to tensile or compressive stresses. For this purpose it is necessary that the modules are assembled to a flat surface by only rounded head screws. Additionally plastic flat washer should be used to ensure creepage distance between screw's head and surface of the pcb. Max. torque for fixing: 0,5Nm.

LED modules are sensitive to electrostatic discharge (ESD). Follow safety regulations according to IEC 61340-5-1.

Outdoor LED modules 3535

Wiring

Wire cross section and strip length:



D - wire cross section (solid and flexible wires)	Min	Max
	0.2mm ²	0.75mm ²
	AWG 24	AWG 18

L - strip length	Min	Max
	8mm	9mm

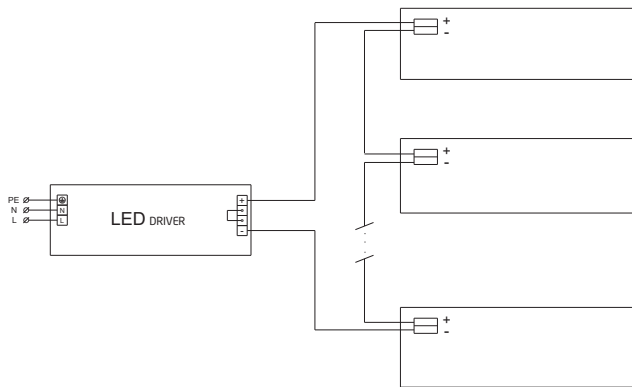
Opening for the release of wires from the top with release pin Electroterminal art. 881 167 884:



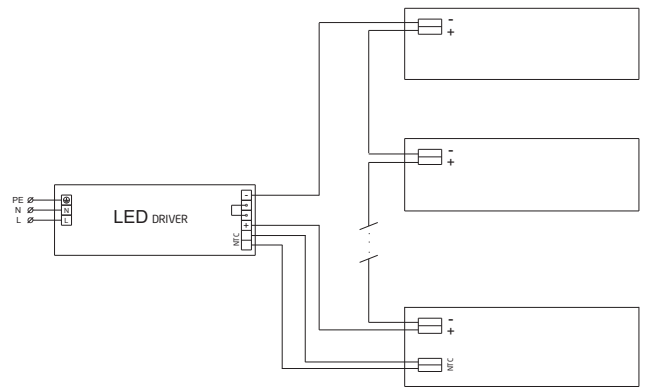
Connections

Max number of modules	Unit	Series	Parallel
RecLED 122x50mm 2x4 3535	[pcs]	17	-
RecLED 173x50mm 2x6 3535	[pcs]	11	-
RecLED 224x50mm 2x8 3535	[pcs]	8	-

without NTC



NTC



Energy Label / EPREL database

To obtain Energy Label for this product visit <https://eprel.ec.europa.eu/> and enter model identifier

Model identifier consists of 10 digits XXXX XXX XXX. It is printed directly on the LED module or on product label. This is the number you can see in EPREL database.

Ordering code consist of 12 digits XXXX XXX XXX46. Additional last two digits means packaging of the product.

Outdoor LED modules 3535

Ordering codes

Product name	Ordering code	Pieces per box	Pieces per pallet	Box dimensions [mm]
RecLED 122x50mm 1900lm 730 2x4 3535 NTC Opt G2	1010 127 70046	55	13200	150 x 266 x 83
RecLED 122x50mm 1900lm 740 2x4 3535 NTC Opt G2	1010 127 70146	55	13200	150 x 266 x 83
RecLED 122x50mm 1900lm 757 2x4 3535 NTC Opt G2	1010 127 70246	55	13200	150 x 266 x 83
RecLED 122x50mm 1900lm 722 2x4 3535 Opt G2	1010 127 80946	55	13200	150 x 266 x 83
RecLED 122x50mm 1900lm 727 2x4 3535 Opt G2	1010 127 80746	55	13200	150 x 266 x 83
RecLED 122x50mm 1900lm 730 2x4 3535 Opt G2	1010 117 28246	55	13200	150 x 266 x 83
RecLED 122x50mm 1900lm 740 2x4 3535 Opt G2	1010 117 28346	55	13200	150 x 266 x 83
RecLED 173x50mm 2900lm 730 2x6 3535 NTC Opt G2	1010 127 70346	48	6480	238 x 238 x 91
RecLED 173x50mm 2900lm 740 2x6 3535 NTC Opt G2	1010 127 70446	48	6480	238 x 238 x 91
RecLED 173x50mm 2900lm 757 2x6 3535 NTC Opt G2	1010 127 70546	48	6480	238 x 238 x 91
RecLED 173x50mm 2900lm 722 2x6 3535 Opt G2	1010 127 81046	48	6480	238 x 238 x 91
RecLED 173x50mm 2900lm 727 2x6 3535 Opt G2	1010 127 50946	48	6480	238 x 238 x 91
RecLED 173x50mm 2900lm 730 2x6 3535 Opt G2	1010 117 28746	48	6480	238 x 238 x 91
RecLED 173x50mm 2900lm 740 2x6 3535 Opt G2	1010 117 28846	48	6480	238 x 238 x 91
RecLED 224x50mm 3800lm 730 2x8 3535 NTC Opt G2	1010 127 70646	24	5427	248 x 175 x 66
RecLED 224x50mm 3800lm 740 2x8 3535 NTC Opt G2	1010 127 70746	24	5427	248 x 175 x 66
RecLED 224x50mm 3800lm 757 2x8 3535 NTC Opt G2	1010 127 70846	24	5427	248 x 175 x 66
RecLED 224x50mm 3800lm 722 2x8 3535 Opt G2	1010 127 81146	24	5427	248 x 175 x 66
RecLED 224x50mm 3800lm 727 2x8 3535 Opt G2	1010 127 80846	24	5427	248 x 175 x 66
RecLED 224x50mm 3800lm 730 2x8 3535 Opt G2	1010 117 29246	24	5427	248 x 175 x 66
RecLED 224x50mm 3800lm 740 2x8 3535 Opt G2	1010 117 29346	24	5427	248 x 175 x 66
RecLED 122x50mm 1900lm 718 2x4 3535 Opt G1	1010 127 31546	55	13200	150 x 266 x 83
RecLED 173x50mm 2900lm 718 2x6 3535 Opt G1	1010 127 29446	48	6480	238 x 238 x 91
RecLED 224x50mm 3800lm 718 2x8 3535 Opt G1	1010 127 29546	24	5427	248 x 175 x 66