

Round LED modules 150mm VICTORIA-MINI

A round solution for industrial lighting. Optimized for LEDiL's VICTORIA-MINI optics.

Product description

- Long life-time
- Built-in, constant current LED module
- Re-workable push-in terminals enabling easy connection
- Compliance and approval: CE
- Available CCT from 2700K to 6500K and CRI 80, 90



The number and type of connectors may vary depending on the type of module.



RdLED CRI 80

Product name	Ordering code	Colour temperature [K]	Current nominal If nom [mA]	Luminous flux ¹ φ [lm]	Useful luminous flux ² [lm]	Voltage ¹ Vf [V]	Power ¹ P [W]	Efficacy ¹ [lm/W]	Current minimum If min ² [mA]	Current maximum If max [mA]	Energy Efficiency Class
RdLED 150mm 2x10000lm 827-865 60V VICTORIA-MINI	1010 127 69946	2700	1050	9562	9813	59	61	156	40	1200	D
RdLED 150mm 7000lm 830 120V VICTORIA-MINI	1010 127 14146	6500	1050	10551	10828	59	61	172	40	1200	D
RdLED 150mm 7000lm 840 120V VICTORIA-MINI	1010 127 14146	3000	350	7021	7275	112	39	180	40	600	C
RdLED 150mm 7000lm 840 120V VICTORIA-MINI	1010 127 14246	4000	350	7180	7439	112	39	184	40	600	C

¹At nominal current and T_p

²At nominal current and 25°C

³It is recommended not to operate below minimum current in order to avoid un-even brightness

Tolerance range for optical and electrical ±10%

Temperature & humidity

Specification item	Unit	Value
T _p	[°C]	45
T _p rated	[°C]	65
T _c	[°C]	85
Relative humidity (non-condensing)	[%]	5 ... 85
Storage ambient temperature	[°C]	-25 ... +85
Storage relative humidity (non-condensing)	[%]	5 ... 85

T_p - Temperature related to the performance parameters of the LED modules

T_p rated - Maximum operating temperature to which the rated performance characteristics are declared

T_c - Highest permissible value for safe operation

Technical data

Specification item	Unit	Value
Classification acc. to IEC 62031		built-in
Working voltage	[Vdc]	350
Beam angle	[deg]	120
Initial color consistency	[SDCM]	3
Photobiological safety		RG1 unlimited

Color coordinates

According to CIE 1931

Specification item	CIE _x	CIE _y
2700K	0.4578	0.4101
3000K	0.4338	0.4030
4000K	0.3818	0.3797
6500K	0.3123	0.3282

Round LED modules 150mm VICTORIA-MINI

Certificates & standards

Specification item	Compliant
ENEC	No
CE	Yes
RoHS	Yes
REACH	Yes
Zhaga	No
IP rating	No IP rating

Lumen maintenance

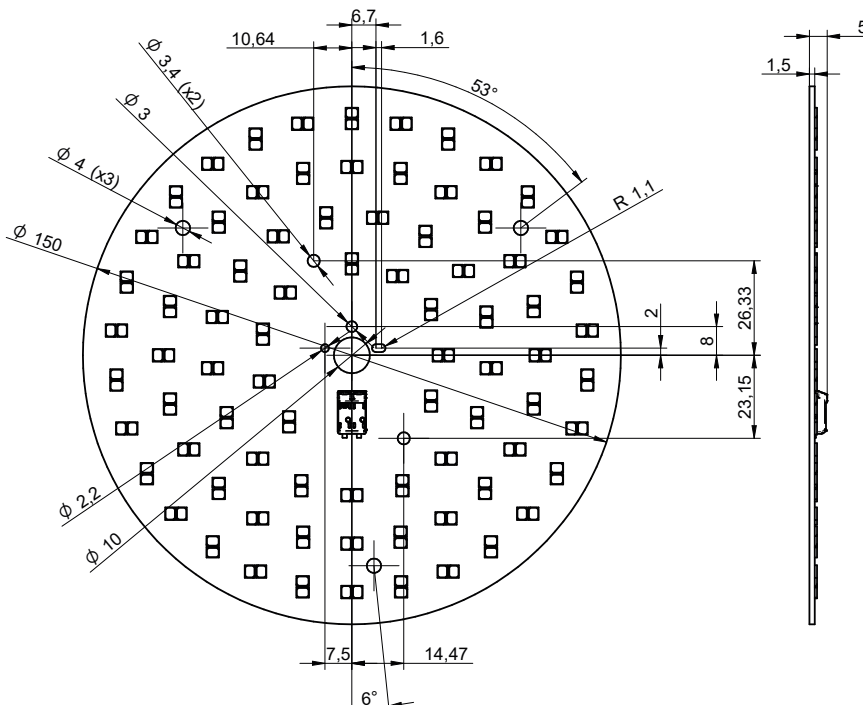
LinLED CRI 80

for B30 & B40

Forward current	Tp temp.	L70 [h]		L80 [h]		L90 [h]	
		B50	B10	B50	B10	B50	B10
If nom	45°C	>72 000	>72 000	>72 000	>72 000	66 000	56 000
	55°C	>72 000	>72 000	>72 000	>72 000	66 000	56 000
	65°C	>72 000	>72 000	>72 000	>72 000	64 000	55 000
	75°C	>72 000	>72 000	>72 000	>72 000	63 000	53 000
	85°C	>72 000	>72 000	>72 000	>72 000	61 000	53 000
If max	45°C	>72 000	>72 000	>72 000	>72 000	51 000	39 000
	55°C	>72 000	>72 000	>72 000	>72 000	51 000	39 000
	65°C	>72 000	>72 000	>72 000	>72 000	48 000	37 000
	75°C	>72 000	>72 000	>72 000	>72 000	45 000	35 000
	85°C	>72 000	>72 000	>72 000	69 000	43 000	34 000

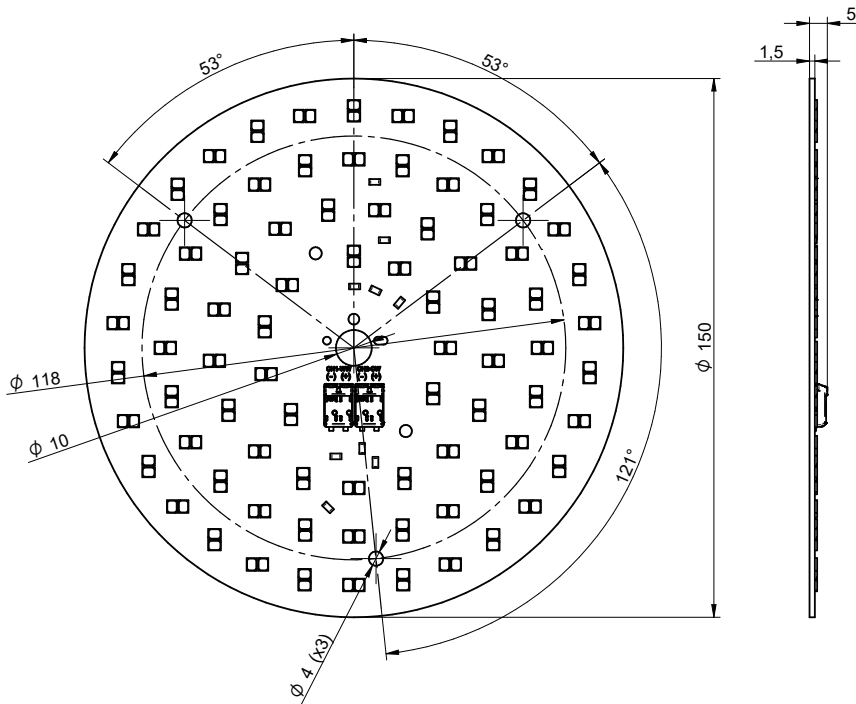
reported data based on LM80 LED data (@65mA 17000h / @160mA & 200mA 12000h)

Dimensions



Round LED modules 150mm VICTORIA-MINI

TW version



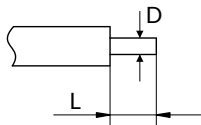
Mounting

LED Modules cannot be exposed to tensile or compressive stresses. For this purpose it is necessary that the modules are assembled to a flat surface by only M3 countersunk screws. Max. torque for fixing: 0,5Nm.

LED modules are sensitive to electrostatic discharge (ESD). Follow safety regulations according to IEC 61340-5-1.

Wiring

Wire cross section and strip length:



D - wire cross section (solid and flexible wires)	Min	Max
	0.2mm ²	0.75mm ²
	AWG 24	AWG 18

L - strip length	Min	Max
	8mm	9mm

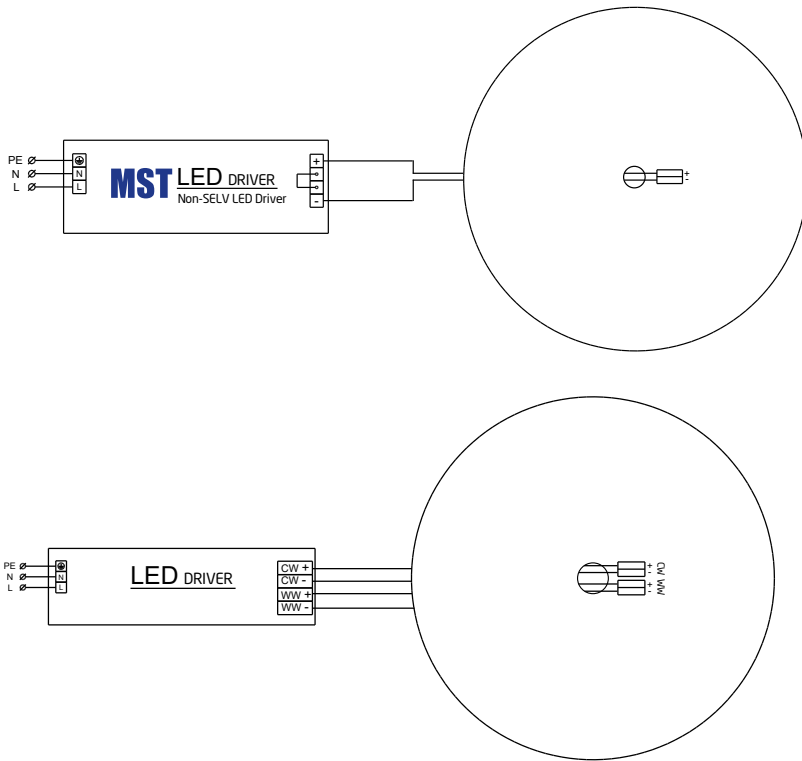
Opening for the release of wires from the top with release pin Electroterminal art. 881 167 884:



Round LED modules 150mm VICTORIA-MINI

Connections

Wiring for series connection system



Energy Label / EPREL database

To obtain Energy Label for this product visit <https://eprel.ec.europa.eu/> and enter model identifier

Model identifier consists of 10 digits XXXX XXX XXX. It is printed directly on the LED module or on product label. This is the number you can see in EPREL database.

Ordering code consist of 12 digits XXXX XXX XXX46. Additional last two digits means packaging of the product.

Ordering codes

Product name	Ordering code	Pieces per box	Pieces per pallet	Box dimensions [mm]
RdLED 150mm 2x10000lm 827-865 60V VICTORIA-MINI	1010 127 69946	36	2160	328 x 318 x 58
RdLED 150mm 7000lm 830 120V VICTORIA-MINI	1010 127 14146	36	2160	328 x 318 x 58
RdLED 150mm 7000lm 840 120V VICTORIA-MINI	1010 127 14246	36	2160	328 x 318 x 58