

Round LED modules 150mm VICTORIA-MINI

A round solution for industrial lighting. Optimized for LEDiL's VICTORIA-MINI optics.

Product description

- Long life-time
- Built-in, constant current LED module
- Re-workable push-in terminals enabling easy connection
- Compliance and approval: CE
- Available CCT from 2700K to 6500K and CRI 80, 90



RdLED CRI 80

| Product name | Ordering code | Colour temperature [K] | Current nominal If nom [mA] | Luminous flux ¹ φ [lm] | Useful luminous flux ² [lm] | Voltage ¹ Vf [V] | Power ¹ P [W] | Efficacy ¹ [lm/W] | Current minimum If min ² [mA] | Current maximum If max [mA] | Energy Efficiency Class |
|---|----------------|------------------------|-----------------------------|-----------------------------------|--|-----------------------------|--------------------------|------------------------------|--|-----------------------------|-------------------------|
| RdLED 150mm 2x10000lm 827-865 60V VICTORIA-MINI | 1010 127 69946 | 2700 6500 | 1050 1050 | 9562 10551 | 9813 10828 | 59 59 | 61 61 | 156 172 | 40 40 | 1200 1200 | D |
| RdLED 150mm 7000lm 830 120V VICTORIA-MINI | 1010 127 14146 | 3000 | 350 | 7021 | 7275 | 112 | 39 | 180 | 40 | 600 | C |
| RdLED 150mm 7000lm 840 120V VICTORIA-MINI | 1010 127 14246 | 4000 | 350 | 7180 | 7439 | 112 | 39 | 184 | 40 | 600 | C |

¹At nominal current and T_p

²At nominal current and 25°C

³It is recommended not to operate below minimum current in order to avoid un-even brightness

Tolerance range for optical and electrical ±10%

Temperature & humidity

| Specification item | Unit | Value |
|--|------|-------------|
| T _p | [°C] | 45 |
| T _p rated | [°C] | 65 |
| T _c | [°C] | 85 |
| Relative humidity (non-condensing) | [%] | 5 ... 85 |
| Storage ambient temperature | [°C] | -25 ... +85 |
| Storage relative humidity (non-condensing) | [%] | 5 ... 85 |

T_p - Temperature related to the performance parameters of the LED modules

T_p rated - Maximum operating temperature to which the rated performance characteristics are declared

T_c - Highest permissible value for safe operation

Technical data

| Specification item | Unit | Value |
|----------------------------------|--------|---------------|
| Classification acc. to IEC 62031 | | built-in |
| Working voltage | [Vdc] | 350 |
| Beam angle | [deg] | 120 |
| Initial color consistency | [SDCM] | 3 |
| Photobiological safety | | RG1 unlimited |

Color coordinates

According to CIE 1931

| Specification item | CIE _x | CIE _y |
|--------------------|------------------|------------------|
| 2700K | 0.4578 | 0.4101 |
| 3000K | 0.4338 | 0.4030 |
| 4000K | 0.3818 | 0.3797 |
| 6500K | 0.3123 | 0.3282 |

Round LED modules 150mm VICTORIA-MINI

Certificates & standards

| Specification item | Compliant |
|--------------------|--------------|
| ENEC | No |
| CE | Yes |
| RoHS | Yes |
| REACH | Yes |
| Zhaga | No |
| IP rating | No IP rating |

Lumen maintenance

LinLED CRI 80

for 830 & 840

| Forward current | Tp temp. | L70 [h] | | L80 [h] | | L90 [h] | |
|-----------------|----------|---------|---------|---------|---------|---------|--------|
| | | B50 | B10 | B50 | B10 | B50 | B10 |
| If nom | 45°C | >72 000 | >72 000 | >72 000 | >72 000 | 66 000 | 56 000 |
| | 55°C | >72 000 | >72 000 | >72 000 | >72 000 | 66 000 | 56 000 |
| | 65°C | >72 000 | >72 000 | >72 000 | >72 000 | 64 000 | 55 000 |
| | 75°C | >72 000 | >72 000 | >72 000 | >72 000 | 63 000 | 53 000 |
| | 85°C | >72 000 | >72 000 | >72 000 | >72 000 | 61 000 | 53 000 |
| If max | 45°C | >72 000 | >72 000 | >72 000 | >72 000 | 51 000 | 39 000 |
| | 55°C | >72 000 | >72 000 | >72 000 | >72 000 | 51 000 | 39 000 |
| | 65°C | >72 000 | >72 000 | >72 000 | >72 000 | 48 000 | 37 000 |
| | 75°C | >72 000 | >72 000 | >72 000 | >72 000 | 45 000 | 35 000 |
| | 85°C | >72 000 | >72 000 | >72 000 | 69 000 | 43 000 | 34 000 |

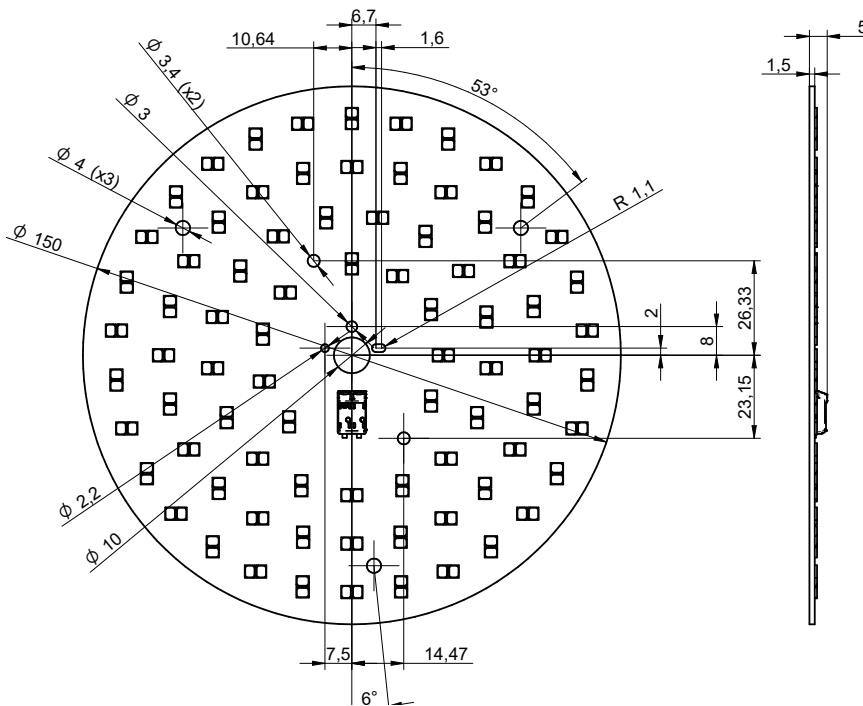
reported data based on LM80 LED data (@65mA 17000h / @160mA & 200mA 12000h)

for 827 & 865

| Forward current | Tp temp. | L70 [h] | L80 [h] | L90 [h] |
|-----------------|----------|----------|---------|---------|
| If max | 85°C | >102 000 | 79 000 | 38 000 |

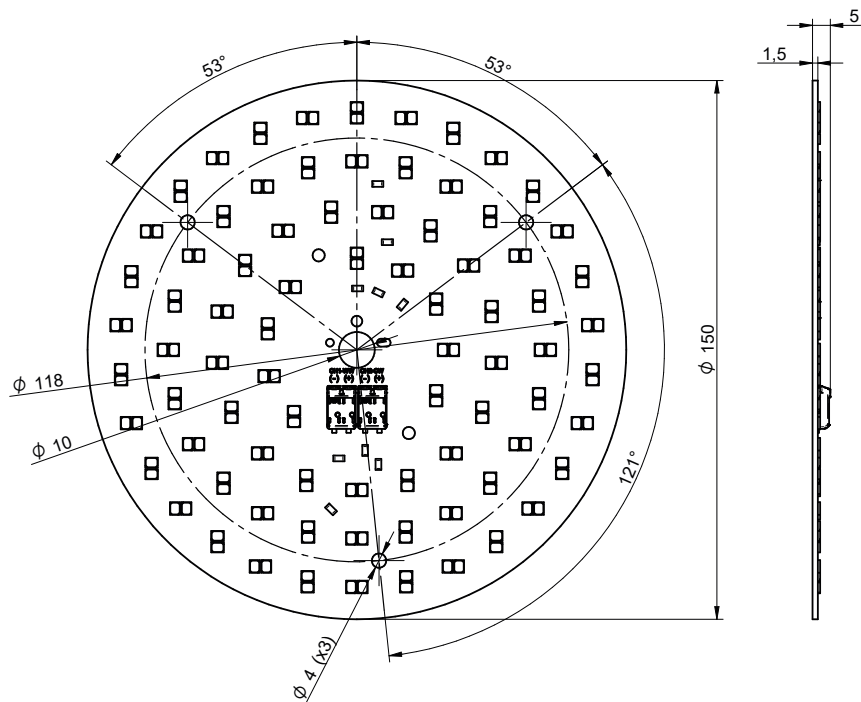
reported data based on LM80 LED data 17 000h

Dimensions



Round LED modules 150mm VICTORIA-MINI

TW version



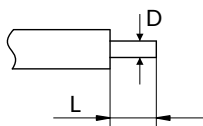
Mounting

LED Modules cannot be exposed to tensile or compressive stresses. For this purpose it is necessary that the modules are assembled to a flat surface by only M3 countersunk screws. Max. torque for fixing: 0,5Nm.

LED modules are sensitive to electrostatic discharge (ESD). Follow safety regulations according to IEC 61340-5-1.

Wiring

Wire cross section and strip length:



| D - wire cross section (solid and flexible wires) | Min | Max |
|--|--------------------|---------------------|
| | 0.2mm ² | 0.75mm ² |
| | AWG 24 | AWG 18 |

| L - strip length | Min | Max |
|------------------|-----|-----|
| | 8mm | 9mm |

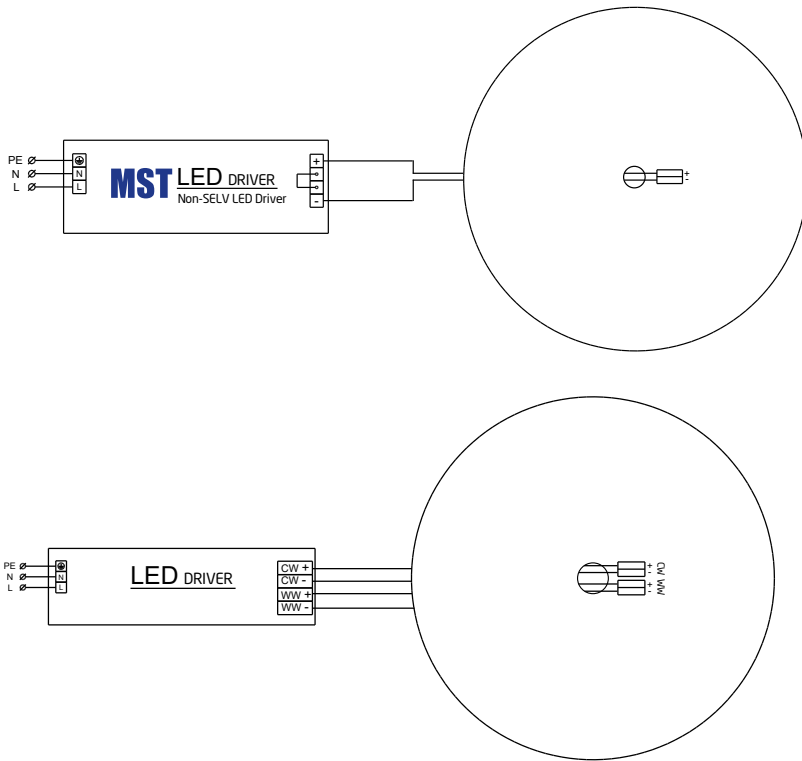
Opening for the release of wires from the top with release pin Electroterminal art. 881 167 884:



Round LED modules 150mm VICTORIA-MINI

Connections

Wiring for series connection system



Energy Label / EPREL database

To obtain Energy Label for this product visit <https://eprel.ec.europa.eu/> and enter model identifier

Model identifier consists of 10 digits XXXX XXX XXX. It is printed directly on the LED module or on product label. This is the number you can see in EPREL database.

Ordering code consist of 12 digits XXXX XXX XXX46. Additional last two digits means packaging of the product.

Ordering codes

| Product name | Ordering code | Pieces per box | Pieces per pallet | Box dimensions [mm] |
|---|----------------|----------------|-------------------|---------------------|
| RdLED 150mm 2x10000lm 827-865 60V VICTORIA-MINI | 1010 127 69946 | 36 | 2160 | 328 x 318 x 58 |
| RdLED 150mm 7000lm 830 120V VICTORIA-MINI | 1010 127 14146 | 36 | 2160 | 328 x 318 x 58 |
| RdLED 150mm 7000lm 840 120V VICTORIA-MINI | 1010 127 14246 | 36 | 2160 | 328 x 318 x 58 |