

Rectangular LED modules 223x50mm STRADELLA-IP-64

A rectangular solution for street, area and industrial lighting. Optimized for LEDiL's STRADELLA-IP-64 optics.

Product description

- Long life-time
- Built-in, constant current LED module
- Re-workable push-in terminals enabling easy connection
- Compliance and approval: CE
- Available CCT from 2700K to 6500K and CRI 70, 80, 90



RecLED CRI 80 Optimum G1

Product name	Ordering code	Colour temperature [K]	Current nominal If nom [mA]	Luminous flux ¹ φ [lm]	Useful luminous flux ² [lm]	Voltage ¹ Vf [V]	Power ¹ P [W]	Efficacy ¹ [lm/W]	Current minimum If min ³ [mA]	Current maximum If max [mA]	Energy Efficiency Class
RecLED 223x50mm 4200lm 830 4x16 Opt G1	1010 127 15446	3000	500	3995	4204	44	22	183	40	720	C
RecLED 223x50mm 4200lm 840 4x16 Opt G1	1010 127 15546	4000	500	4211	4431	44	22	193	40	720	C

¹At nominal current and T_p

²At nominal current and 25°C

³It is recommended not to operate below minimum current in order to avoid un-even brightness

Tolerance range for optical and electrical ±10%

Temperature & humidity

Specification item	Unit	Value
T _p	[°C]	75
T _p rated	[°C]	75
T _c	[°C]	95
Relative humidity (non-condensing)	[%]	5 ... 85
Storage ambient temperature	[°C]	-25 ... +85
Storage relative humidity (non-condensing)	[%]	5 ... 85

T_p - Temperature related to the performance parameters of the LED modules

T_p rated - Maximum operating temperature to which the rated performance characteristics are declared

T_c - Highest permissible value for safe operation

Technical data

Specification item	Unit	Value
Classification acc. to IEC 62031		built-in
Working voltage	[Vdc]	400
Beam angle	[deg]	120
Initial color consistency	[SDCM]	3
Photobiological safety		RG1 unlimited

Color coordinates

According to CIE 1931

Specification item	CIE _x	CIE _y
2700K	0.4578	0.4101
3000K	0.4338	0.4030
4000K	0.3818	0.3797
6500K	0.3123	0.3282

Rectangular LED modules 223x50mm STRADELLA-IP-64

Certificates & standards

Specification item	Compliant
ENEC	No
CE	Yes
RoHS	Yes
REACH	Yes
Zhaga	No
IP rating	No IP rating

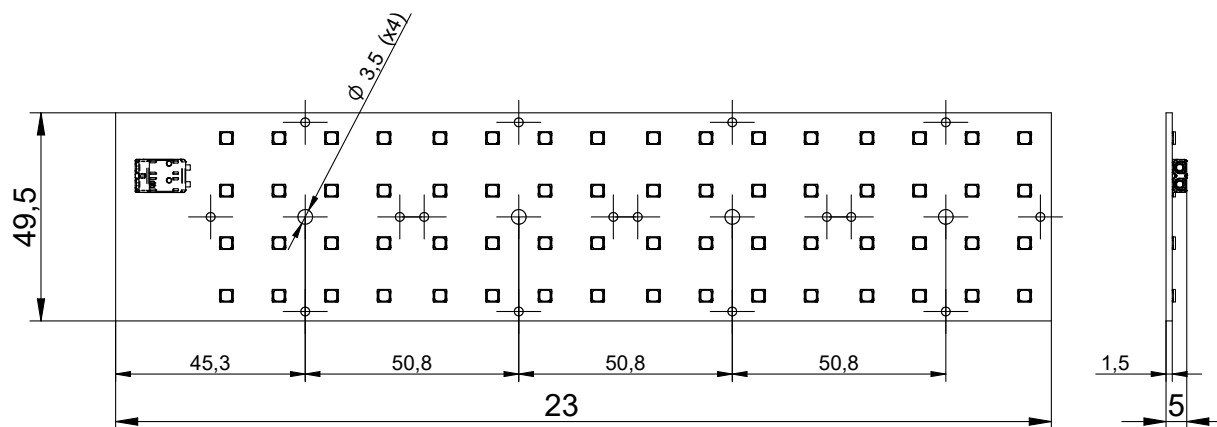
Lumen maintenance

RecLED CRI 80

Forward current	Tp	L70 [h]		L80 [h]		L90 [h]	
		B50	B10	B50	B10	B50	B10
If nom	45°C	>72 000	>72 000	>72 000	>72 000	>72 000	42 000
	55°C	>72 000	>72 000	>72 000	>72 000	60 000	41 000
	65°C	>72 000	>72 000	>72 000	>72 000	58 000	38 000
	85°C	>72 000	>72 000	>72 000	>72 000	48 000	32 000
If max	45°C	>72 000	>72 000	>72 000	>72 000	>72 000	38 000
	55°C	>72 000	>72 000	>72 000	>72 000	48 000	37 000
	65°C	>72 000	>72 000	>72 000	>72 000	46 000	35 000
	85°C	>72 000	>72 000	>72 000	>72 000	36 000	29 000

reported data based on LM80 LED data (12 000h)

Dimensions



Mounting

LED Modules cannot be exposed to tensile or compressive stresses. For this purpose it is necessary that the modules are assembled to a flat surface by only rounded head screws. Additionally plastic flat washer should be used to ensure creepage distance between screw's head and surface of the pcb. Max. torque for fixing: 0,5Nm.

LED modules are sensitive to electrostatic discharge (ESD). Follow safety regulations according to IEC 61340-5-1.

Rectangular LED modules 223x50mm STRADELLA-IP-64

Wiring

Wire cross section and strip length:



D - wire cross section (solid and flexible wires)	Min	Max
	0.2mm ²	0.75mm ²
	AWG 24	AWG 18

L - strip length	Min	Max
	8mm	9mm

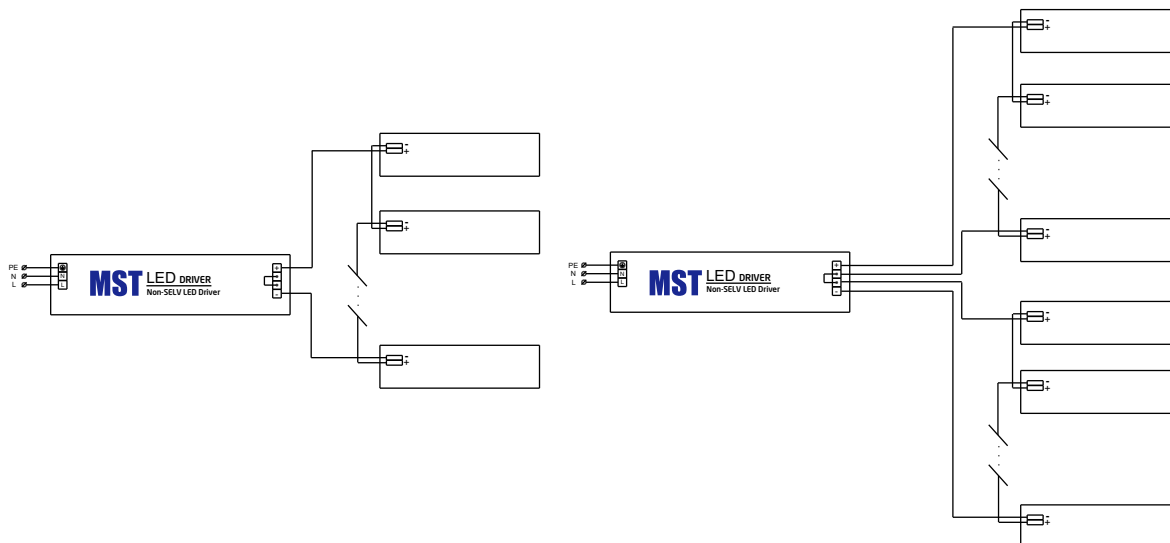
Opening for the release of wires from the top
with release pin Electroterminal art. 881 167 884:



Connections

Max number of modules	Unit	Series	Parallel
RecLED 223x50mm...	[pcs]	9	-

Wiring for series connection system



Energy Label / EPREL database

To obtain Energy Label for this product visit <https://eprel.ec.europa.eu/> and enter model identifier

Model identifier consists of 10 digits XXXX XXX XXX. It is printed directly on the LED module or on product label. This is the number you can see in EPREL database.

Ordering code consist of 12 digits XXXX XXX XXX46. Additional last two digits means packaging of the product.

Ordering codes

Product name	Ordering code	Pieces per box	Pieces per pallet	Box dimensions [mm]
RecLED 223x50mm 4200lm 830 4x16 Opt G1	1010 127 15446	36	6840	248 x 175 x 66
RecLED 223x50mm 4200lm 840 4x16 Opt G1	1010 127 15546	36	6840	248 x 175 x 66