

Linear LED modules 1100lm 12V per 1ft 2C+R

Product description

- Long life-time
- Built-in, constant current LED module
- Re-workable push-in terminals enabling easy connection
- Compliance and approval: CE, ENEC
- 2C+R - two connectors for series system, with integrated return path (two additional connectors) also recognized as a high voltage system - non-SELV
- Other CCT and CRI on request
- Perfect solution for long linear lighting systems (trunking or long profiles) with easy wiring
- Low voltage of modules provides great flexibility in selection of LED Drivers



LinLED CRI 80 S8 G5

Product name	Ordering code	Colour temperature [K]	Current nominal If nom [mA]	Luminous flux ¹ φ [lm]	Useful luminous flux ² [lm]	Voltage ¹ Vf [V]	Power ¹ P [W]	Efficacy ¹ [lm/W]	Current minimum If min ³ [mA]	Current maximum If max [mA]	Energy Efficiency Class	
LinLED 70x24mm 275lm 830 2C+R 3V S8 G5	1010 157 14546	3000	520	273	281	2.7	1.4	196	80	1600	B	
LinLED 140x24mm 550lm 830 2C+R 6V S8 G5	1010 157 14646		520	547	563	5.4	2.8	196	80	1600	B	
LinLED 280x24mm 1100lm 830 2C+R 12V S8 G5	1010 157 14746		520	1093	1126	11	5.6	196	80	1600	B	
LinLED 560x24mm 2200lm 830 2C+R 24V S8 G5	1010 157 14846		520	2187	2252	21	11	196	80	1600	C	
LinLED 1120x24mm 4400lm 830 2C+R 48V S8 G5	1010 157 14946		520	4374	4504	43	23	196	80	1600	C	
LinLED 1400x24mm 5500lm 830 2C+R 60V S8 G5	1010 157 15046		520	5467	5629	54	28	196	80	1600	C	
LinLED 70x24mm 275lm 840 2C+R 3V S8 G5	1010 157 15146		4000	520	289	297	2.7	1.4	207	80	1600	B
LinLED 140x24mm 550lm 840 2C+R 6V S8 G5	1010 157 15246			520	578	595	5.4	2.8	207	80	1600	B
LinLED 280x24mm 1100lm 840 2C+R 12V S8 G5	1010 157 15346			520	1155	1190	11	5.6	207	80	1600	B
LinLED 560x24mm 2200lm 840 2C+R 24V S8 G5	1010 157 15446			520	2311	2379	21	11	207	80	1600	B
LinLED 1120x24mm 4400lm 840 2C+R 48V S8 G5	1010 157 15546	520		4622	4759	43	23	207	80	1600	B	
LinLED 1400x24mm 5500lm 840 2C+R 60V S8 G5	1010 157 15646	520		5777	5948	54	28	207	80	1600	B	

LinLED CRI 80 CJ G4

Product name	Ordering code	Colour temperature [K]	Current nominal If nom [mA]	Luminous flux ¹ φ [lm]	Useful luminous flux ² [lm]	Voltage ¹ Vf [V]	Power ¹ P [W]	Efficacy ¹ [lm/W]	Current minimum If min ³ [mA]	Current maximum If max [mA]	Energy Efficiency Class	
LinLED 70x24mm 275lm 830 2C+R 3V CJ G4	1010 127 98146	3000	540	276	283	2.7	1.4	191	80	2400	C	
LinLED 140x24mm 550lm 830 2C+R 6V CJ G4	1010 127 98246		540	553	567	5.4	2.9	191	80	2400	C	
LinLED 280x24mm 1100lm 830 2C+R 12V CJ G4	1010 127 98346		540	1105	1133	11	5.8	191	80	2400	C	
LinLED 560x24mm 2200lm 830 2C+R 24V CJ G4	1010 127 98446		540	2211	2267	21	11.6	191	80	2400	C	
LinLED 1120x24mm 4400lm 830 2C+R 48V CJ G4	1010 127 98546		540	4422	4534	43	23.1	191	80	2400	C	
LinLED 1400x24mm 5500lm 830 2C+R 60V CJ G4	1010 127 98646		540	5527	5667	54	28.9	191	80	2400	C	
LinLED 70x24mm 275lm 840 2C+R 3V CJ G4	1010 127 98746		4000	540	287	295	2.7	1.4	199	80	2400	C
LinLED 140x24mm 550lm 840 2C+R 6V CJ G4	1010 127 98846			540	575	589	5.4	2.9	199	80	2400	B
LinLED 280x24mm 1100lm 840 2C+R 12V CJ G4	1010 127 98946			540	1150	1179	11	5.8	199	80	2400	B
LinLED 560x24mm 2200lm 840 2C+R 24V CJ G4	1010 127 99046			540	2299	2358	21	11.6	199	80	2400	B
LinLED 1120x24mm 4400lm 840 2C+R 48V CJ G4	1010 127 99146	540		4598	4715	43	23.1	199	80	2400	B	
LinLED 1400x24mm 5500lm 840 2C+R 60V CJ G4	1010 127 99246	540		5748	5894	54	28.9	199	80	2400	B	

Linear LED modules 1100lm 12V per 1ft 2C+R

LinLED CRI 80 CN G3

Product name	Ordering code	Colour temperature [K]	Current nominal If nom [mA]	Luminous flux ¹ φ [lm]	Useful luminous flux ² [lm]	Voltage ¹ Vf [V]	Power ¹ P [W]	Efficacy ¹ [lm/W]	Current minimum If min ³ [mA]	Current maximum If max [mA]	Energy Efficiency Class
LinLED 70x24mm 275lm 830 2C+R 3V CN G3	1010 147 38446	3000	550	269	279	2.7	1.5	180	80	1200	C
LinLED 140x24mm 550lm 830 2C+R 6V CN G3	1010 147 38546		550	539	557	5.4	3.0	180	80	1200	C
LinLED 280x24mm 1100lm 830 2C+R 12V CN G3	1010 147 38646		550	1077	1115	11	6.0	180	80	1200	C
LinLED 560x24mm 2200lm 830 2C+R 24V CN G3	1010 147 38746		550	2155	2230	22	11.9	180	80	1200	C
LinLED 1120x24mm 4400lm 830 2C+R 48V CN G3	1010 147 38846		550	4309	4460	43	23.9	180	80	1200	C
LinLED 1400x24mm 5500lm 830 2C+R 60V CN G3	1010 147 38946		550	5386	5574	54	29.8	180	80	1200	C
LinLED 70x24mm 275lm 840 2C+R 3V CN G3	1010 147 39046	4000	550	284	294	2.7	1.5	190	80	1200	C
LinLED 140x24mm 550lm 840 2C+R 6V CN G3	1010 147 39146		550	568	588	5.4	3.0	190	80	1200	C
LinLED 280x24mm 1100lm 840 2C+R 12V CN G3	1010 147 39246		550	1137	1176	11	6.0	190	80	1200	C
LinLED 560x24mm 2200lm 840 2C+R 24V CN G3	1010 147 39346		550	2273	2352	22	11.9	190	80	1200	C
LinLED 1120x24mm 4400lm 840 2C+R 48V CN G3	1010 147 39446		550	4546	4705	43	23.9	190	80	1200	C
LinLED 1400x24mm 5500lm 840 2C+R 60V CN G3	1010 147 39546		550	5683	5881	54	29.8	190	80	1200	C

LinLED CRI 80 LG G2

Product name	Ordering code	Colour temperature [K]	Current nominal If nom [mA]	Luminous flux ¹ φ [lm]	Useful luminous flux ² [lm]	Voltage ¹ Vf [V]	Power ¹ P [W]	Efficacy ¹ [lm/W]	Current minimum If min ³ [mA]	Current maximum If max [mA]	Energy Efficiency Class
LinLED 70x24mm 275lm 830 2C+R 3V LG G2	1010 147 37246	3000	580	271	280	2.8	1.6	169	80	1600	C
LinLED 140x24mm 550lm 830 2C+R 6V LG G2	1010 147 37346		580	543	560	5.5	3.2	169	80	1600	C
LinLED 280x24mm 1100lm 830 2C+R 12V LG G2	1010 147 37446		580	1085	1119	11	6.4	169	80	1600	D
LinLED 560x24mm 2200lm 830 2C+R 24V LG G2	1010 147 37546		580	2170	2239	22	12.9	169	80	1600	D
LinLED 1120x24mm 4400lm 830 2C+R 48V LG G2	1010 147 37646		580	4341	4477	44	25.7	169	80	1600	C
LinLED 1400x24mm 5500lm 830 2C+R 60V LG G2	1010 147 37746		580	5426	5597	55	32.1	169	80	1600	D
LinLED 70x24mm 275lm 840 2C+R 3V LG G2	1010 147 37846	4000	580	288	297	2.8	1.6	179	80	1600	C
LinLED 140x24mm 550lm 840 2C+R 6V LG G2	1010 147 37946		580	577	595	5.5	3.2	179	80	1600	C
LinLED 280x24mm 1100lm 840 2C+R 12V LG G2	1010 147 38046		580	1153	1189	11	6.4	179	80	1600	C
LinLED 560x24mm 2200lm 840 2C+R 24V LG G2	1010 147 38146		580	2306	2379	22	12.9	179	80	1600	C
LinLED 1120x24mm 4400lm 840 2C+R 48V LG G2	1010 147 38246		580	4612	4757	44	25.7	179	80	1600	C
LinLED 1400x24mm 5500lm 840 2C+R 60V LG G2	1010 147 38346		580	5765	5946	55	32.1	179	80	1600	C

LinLED CRI 90 S8 K G7

Product name	Ordering code	Colour temperature [K]	Current nominal If nom [mA]	Luminous flux ¹ φ [lm]	Useful luminous flux ² [lm]	Voltage ¹ Vf [V]	Power ¹ P [W]	Efficacy ¹ [lm/W]	Current minimum If min ³ [mA]	Current maximum If max [mA]	Energy Efficiency Class
LinLED 70x24mm 275lm 930 2C+R 3V S8 K G7	1010 147 43246	3000	520	270	275	2.7	1.4	194	80	1200	C
LinLED 140x24mm 550lm 930 2C+R 6V S8 K G7	1010 147 43346		520	540	550	5.4	2.8	194	80	1200	C
LinLED 280x24mm 1100lm 930 2C+R 12V S8 K G7	1010 147 43446		520	1081	1101	11	5.6	194	80	1200	C
LinLED 560x24mm 2200lm 930 2C+R 24V S8 K G7	1010 147 43546		520	2161	2201	21	11.1	194	80	1200	C
LinLED 1120x24mm 4400lm 930 2C+R 48V S8 K G7	1010 147 43646		520	4322	4403	43	22.3	194	80	1200	C
LinLED 1400x24mm 5500lm 930 2C+R 60V S8 K G7	1010 147 43746		520	5403	5503	54	27.8	194	80	1200	C
LinLED 70x24mm 275lm 940 2C+R 3V S8 K G7	1010 147 43846	4000	520	286	291	2.7	1.4	205	80	1200	B
LinLED 140x24mm 550lm 940 2C+R 6V S8 K G7	1010 147 43946		520	571	582	5.4	2.8	205	80	1200	B
LinLED 280x24mm 1100lm 940 2C+R 12V S8 K G7	1010 147 44046		520	1142	1163	11	5.6	205	80	1200	B
LinLED 560x24mm 2200lm 940 2C+R 24V S8 K G7	1010 147 44146		520	2284	2327	21	11.1	205	80	1200	B
LinLED 1120x24mm 4400lm 940 2C+R 48V S8 K G7	1010 147 44246		520	4569	4654	43	22.3	205	80	1200	B
LinLED 1400x24mm 5500lm 940 2C+R 60V S8 K G7	1010 147 44346		520	5711	5817	54	27.8	205	80	1200	B

LinLED CRI 90 S5 K G6

Product name	Ordering code	Colour temperature [K]	Current nominal If nom [mA]	Luminous flux ¹ φ [lm]	Useful luminous flux ² [lm]	Voltage ¹ Vf [V]	Power ¹ P [W]	Efficacy ¹ [lm/W]	Current minimum If min ³ [mA]	Current maximum If max [mA]	Energy Efficiency Class
LinLED 70x24mm 275lm 930 2C+R 3V S5 K G6	1010 147 45646	3000	535	269	274	2.7	1.4	186	80	1200	C
LinLED 140x24mm 550lm 930 2C+R 6V S5 K G6	1010 147 45746		535	538	548	5.4	2.9	186	80	1200	C
LinLED 280x24mm 1100lm 930 2C+R 12V S5 K G6	1010 147 45846		535	1075	1095	11	5.8	186	80	1200	C
LinLED 560x24mm 2200lm 930 2C+R 24V S5 K G6	1010 147 45946		535	2151	2191	22	11.6	186	80	1200	C
LinLED 1120x24mm 4400lm 930 2C+R 48V S5 K G6	1010 147 46046		535	4301	4381	43	23.1	186	80	1200	C
LinLED 1400x24mm 5500lm 930 2C+R 60V S5 K G6	1010 147 46146		535	5376	5477	54	28.9	186	80	1200	C
LinLED 70x24mm 275lm 940 2C+R 3V S5 K G6	1010 147 46246	4000	535	282	288	2.7	1.4	196	80	1200	C
LinLED 140x24mm 550lm 940 2C+R 6V S5 K G6	1010 147 46346		535	565	575	5.4	2.9	196	80	1200	C
LinLED 280x24mm 1100lm 940 2C+R 12V S5 K G6	1010 147 46446		535	1130	1151	11	5.8	196	80	1200	C
LinLED 560x24mm 2200lm 940 2C+R 24V S5 K G6	1010 147 46546		535	2259	2301	22	11.6	196	80	1200	C
LinLED 1120x24mm 4400lm 940 2C+R 48V S5 K G6	1010 147 46646		535	4518	4602	43	23.1	196	80	1200	C
LinLED 1400x24mm 5500lm 940 2C+R 60V S5 K G6	1010 147 46746		535	5648	5753	54	28.9	196	80	1200	C

Linear LED modules 1100lm 12V per 1ft 2C+R

LinLED CRI 90 EH1.1 G3

Product name	Ordering code	Colour temperature [K]	Current nominal If nom [mA]	Luminous flux ¹ φ [lm]	Useful luminous flux ² [lm]	Voltage ¹ Vf [V]	Power ¹ P [W]	Efficacy ¹ [lm/W]	Current minimum If min ³ [mA]	Current maximum If max [mA]	Energy Efficiency Class	
LinLED 70x24mm 275lm 930 2C+R 3V EH1.1 G3	1010 157 11646	3000	600	274	282	2,9	1,7	159	80	1200	D	
LinLED 140x24mm 550lm 930 2C+R 6V EH1.1 G3	1010 157 11746		600	548	565	5,8	3,5	159	80	1200	D	
LinLED 280x24mm 1100lm 930 2C+R 12V EH1.1 G3	1010 157 11846		600	1097	1129	12	6,9	159	80	1200	D	
LinLED 560x24mm 2200lm 930 2C+R 24V EH1.1 G3	1010 157 11946		600	2193	2259	23	4	159	80	1200	D	
LinLED 1120x24mm 4400lm 930 2C+R 48V EH1.1 G3	1010 157 12046		600	4386	4518	46	28	159	80	1200	D	
LinLED 1400x24mm 5500lm 930 2C+R 60V EH1.1 G3	1010 157 12146		600	5483	5647	58	35	159	80	1200	D	
LinLED 70x24mm 275lm 940 2C+R 3V EH1.1 G3	1010 157 12246		4000	600	291	300	2,9	1,7	168	80	1200	C
LinLED 140x24mm 550lm 940 2C+R 6V EH1.1 G3	1010 157 12346			600	583	600	5,8	3,5	168	80	1200	D
LinLED 280x24mm 1100lm 940 2C+R 12V EH1.1 G3	1010 157 12446			600	1165	1200	12	6,9	168	80	1200	D
LinLED 560x24mm 2200lm 940 2C+R 24V EH1.1 G3	1010 157 12546			600	2330	2400	23	4	168	80	1200	D
LinLED 1120x24mm 4400lm 940 2C+R 48V EH1.1 G3	1010 157 12646	600		4660	4800	46	28	168	80	1200	D	
LinLED 1400x24mm 5500lm 940 2C+R 60V EH1.1 G3	1010 157 12746	600		5826	6000	58	35	168	80	1200	D	

¹At nominal current and T_p

²At nominal current and 25°C

³It is recommended not to operate below minimum current in order to avoid un-even brightness

Tolerance range for optical and electrical ±10%

Temperature & humidity

Specification item	Unit	Value
T _p	[°C]	45
T _{p rated}	[°C]	65
T _c	[°C]	85
Relative humidity (non-condensing)	[%]	5 ... 85
Storage ambient temperature	[°C]	-25 ... +85
Storage relative humidity (non-condensing)	[%]	5 ... 85

T_p - Temperature related to the performance parameters of the LED modules

T_{p rated} - Maximum operating temperature to which the rated performance characteristics are declared

T_c - Highest permissible value for safe operation

Technical data

Specification item	Unit	Value
Classification acc. to IEC 62031		built-in
Working voltage	[Vdc]	350
Beam angle	[deg]	120
Initial color consistency	[SDCM]	3
Photobiological safety		RG1 unlimited

Color coordinates

According to CIE 1931

Specification item	CIE _x	CIE _y
2700K	0.4578	0.4101
3000K	0.4338	0.4030
4000K	0.3818	0.3797
6500K	0.3123	0.3282

Certificates & standards

Specification item	Compliant
ENEC	Yes
CE	Yes
RoHS	Yes
REACH	Yes
IP rating	No IP rating

Linear LED modules 1100lm 12V per 1ft 2C+R

Lumen maintenance

for LE G5, LG G2, LE G5, LA G3

Forward current	Tp temp.	L70 [h]		L80 [h]		L90 [h]	
		B50	B10	B50	B10	B50	B10
If nom	45°C	>100 000	>100 000	>100 000	>100 000	>100 000	>100 000
	55°C	>100 000	>100 000	>100 000	>100 000	>100 000	>100 000
	65°C	>100 000	>100 000	>100 000	>100 000	>100 000	>100 000
	75°C	>100 000	>100 000	>100 000	>100 000	>100 000	98 000
	85°C	>100 000	>100 000	>100 000	>100 000	81 000	73 000
If max	45°C	>100 000	>100 000	92 000	87 000	45 000	42 000
	55°C	>100 000	>100 000	92 000	87 000	45 000	42 000
	65°C	>100 000	>100 000	92 000	87 000	45 000	42 000
	75°C	>100 000	>100 000	92 000	87 000	45 000	42 000
	85°C	>100 000	>100 000	92 000	87 000	45 000	42 000

Calculated data based on LM80 LED data (12 000h)

for CJ G4 & CN G3

Forward current	Tp temp.	L70 [h]		L80 [h]		L90 [h]	
		B50	B10	B50	B10	B50	B10
If nom	45°C	>102 000	>102 000	>102 000	>102 000	>102 000	>102 000
	55°C	>102 000	>102 000	>102 000	>102 000	>102 000	>102 000
	65°C	>102 000	>102 000	>102 000	>102 000	87 000	86 000
	75°C	>102 000	>102 000	>102 000	>102 000	74 000	73 000
	85°C	>102 000	>102 000	>102 000	>102 000	63 000	62 000
If max	45°C	>102 000	>102 000	>102 000	>102 000	>102 000	>102 000
	55°C	>102 000	>102 000	>102 000	>102 000	90 000	89 000
	65°C	>102 000	>102 000	>102 000	>102 000	77 000	76 000
	75°C	>102 000	>102 000	>102 000	>102 000	65 000	64 000
	85°C	>102 000	>102 000	>102 000	>102 000	55 000	54 000

Reported data based on LM80 LED data (17 000h)

for S8 K G7, S7 K G7, S5 K G6, S8 G5

Forward current	Tp temp.	L70 [h]		L80 [h]		L90 [h]	
		B50	B10	B50	B10	B50	B10
If nom	45°C	>120 000	>120 000	117 000	114 000	62 000	61 000
	55°C	>120 000	>120 000	96 000	94 000	50 000	49 000
	65°C	>120 000	>120 000	80 000	78 000	41 000	40 000
	75°C	104 000	102 000	67 000	65 000	34 000	33 000
	85°C	89 000	87 000	56 000	55 000	28 000	27 000
If max	45°C	104 000	100 000	67 000	65 000	36 000	35 000
	55°C	85 000	83 000	55 000	54 000	29 000	28 000
	65°C	71 000	69 000	46 000	45 000	23 000	23 000
	75°C	60 000	59 000	38 000	38 000	19 000	19 000
	85°C	51 000	50 000	32 000	32 000	16 000	16 000

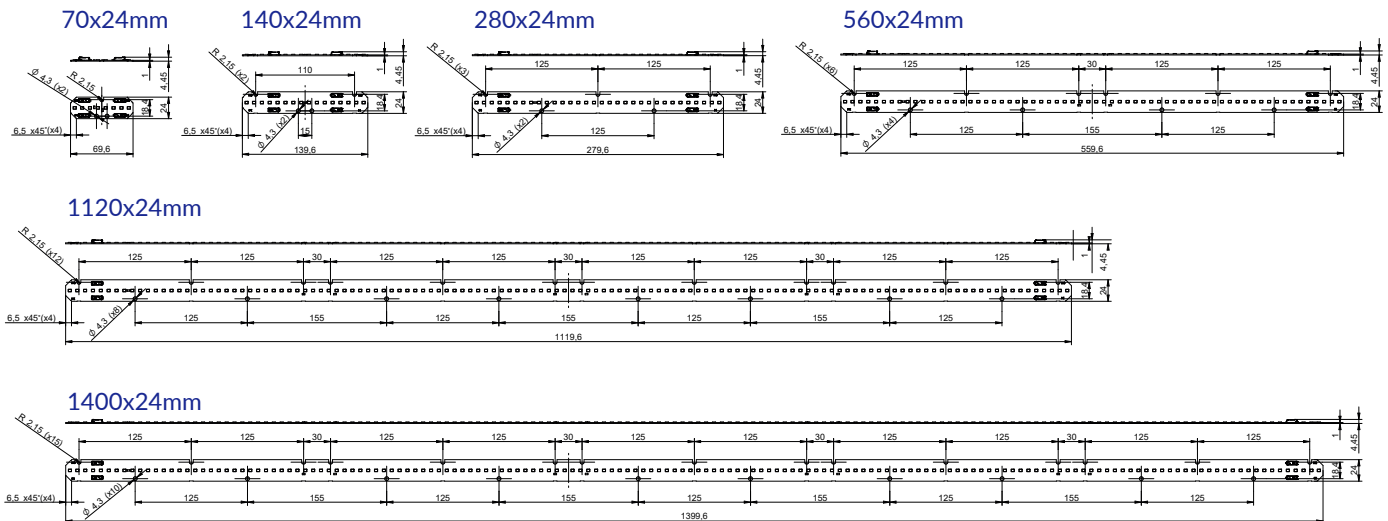
Calculated data based on LM80 LED data (20 000h)

for EH1.1 G3

Forward current	Tp temp.	L70 [h]		L80 [h]		L90 [h]	
		B50	B10	B50	B10	B50	B10
If nom	45°C	>72 000	>72 000	>72 000	>72 000	64 000	60 000
	55°C	>72 000	>72 000	>72 000	>72 000	63 000	59 000
	65°C	>72 000	>72 000	>72 000	>72 000	62 000	57 000
	75°C	>72 000	>72 000	>72 000	>72 000	60 000	56 000
	85°C	>72 000	>72 000	>72 000	>72 000	59 000	55 000
If max	45°C	>72 000	>72 000	67 000	62 000	30 000	29 000
	55°C	>72 000	>72 000	66 000	61 000	30 000	28 000
	65°C	>72 000	>72 000	65 000	60 000	29 000	27 000
	75°C	>72 000	>72 000	65 000	59 000	29 000	26 000
	85°C	>72 000	>72 000	64 000	58 000	28 000	26 000

Calculated data based on LM80 LED data (12 000h)

Dimensions



Mounting

LED Modules cannot be exposed to tensile or compressive stresses. For this purpose it is necessary that the modules are assembled to a flat surface by only rounded head screws. Additionally plastic flat washer should be used to ensure creepage distance between screw's head and surface of the pcb. Max. torque for fixing: 0,5Nm.

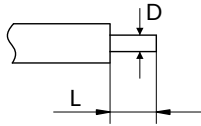
LED modules are sensitive to electrostatic discharge (ESD). Follow safety regulations according to IEC 61340-5-1.

Protection against electric shock must be provided by the luminaire's enclosure.

Linear LED modules 1100lm 12V per 1ft 2C+R

Wiring

Wire cross section and strip length:



D - wire cross section (solid and flexible wires)	Min	Max
	0.2mm ²	0.75mm ²
	AWG 24	AWG 18

L - strip length	Min	Max
	8mm	9mm

Opening for the release of wires from the top with release pin Electroterminal art. 881 167 884:

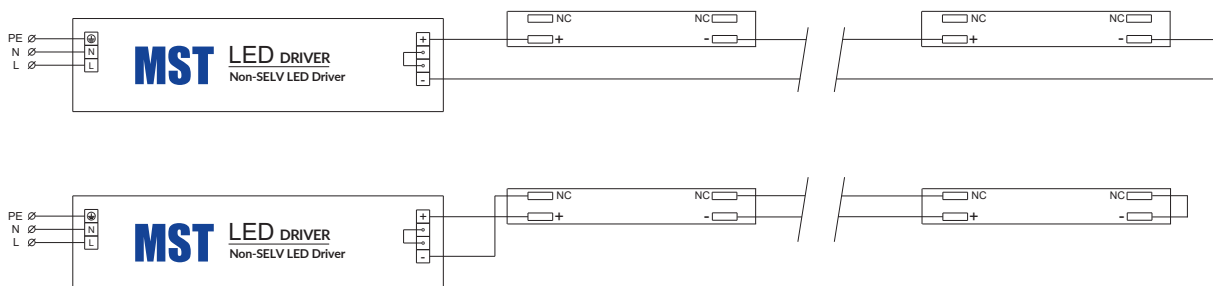


Connections

Max number of modules	Unit	Series	Parallel
LinLED 70x24mm	[pcs]	112	-
LinLED 140x24mm	[pcs]	56	-
LinLED 280x24mm	[pcs]	28	-
LinLED 560x24mm	[pcs]	14	-
LinLED 1120x24mm	[pcs]	7	-
LinLED 1400x24mm	[pcs]	5	-

You can combine different lengths of LED modules so that the maximum length does not exceed 7840mm

Wiring for series connection system with return path



Energy Label / EPREL database

To obtain Energy Label for this product visit <https://eprel.ec.europa.eu/> and enter model identifier

Model identifier consists of 10 digits XXXX XXX XXX. It is printed directly on the LED module or on product label. This is the number you can see in EPREL database.

Ordering code consist of 12 digits XXXX XXX XXX46. Additional last two digits means packaging of the product.

Linear LED modules 1100lm 12V per 1ft 2C+R

Ordering codes

Product name	Ordering code	Pieces per box	Pieces per pallet	Box dimensions [mm]
LinLED 70x24mm 275lm 830 2C+R 3V S8 G5	1010 157 14546	320	76800	150 x 266 x 83
LinLED 140x24mm 550lm 830 2C+R 6V S8 G5	1010 157 14646	160	38400	150 x 266 x 83
LinLED 280x24mm 1100lm 830 2C+R 12V S8 G5	1010 157 14746	160	19200	300 x 266 x 83
LinLED 560x24mm 2200lm 830 2C+R 24V S8 G5	1010 157 14846	160	9600	603 x 266 x 83
LinLED 1120x24mm 4400lm 830 2C+R 48V S8 G5	1010 157 14946	160	4800	1198 x 266 x 83
LinLED 1400x24mm 5500lm 830 2C+R 60V S8 G5	1010 157 15046	160	4800	1498 x 266 x 83
LinLED 70x24mm 275lm 840 2C+R 3V S8 G5	1010 157 15146	320	76800	150 x 266 x 83
LinLED 140x24mm 550lm 840 2C+R 6V S8 G5	1010 157 15246	160	38400	150 x 266 x 83
LinLED 280x24mm 1100lm 840 2C+R 12V S8 G5	1010 157 15346	160	19200	300 x 266 x 83
LinLED 560x24mm 2200lm 840 2C+R 24V S8 G5	1010 157 15446	160	9600	603 x 266 x 83
LinLED 1120x24mm 4400lm 840 2C+R 48V S8 G5	1010 157 15546	160	4800	1198 x 266 x 83
LinLED 1400x24mm 5500lm 840 2C+R 60V S8 G5	1010 157 15646	160	4800	1498 x 266 x 83
LinLED 70x24mm 275lm 830 2C+R 3V CJ G4	1010 127 98146	320	76800	150 x 266 x 83
LinLED 140x24mm 550lm 830 2C+R 6V CJ G4	1010 127 98246	160	38400	150 x 266 x 83
LinLED 280x24mm 1100lm 830 2C+R 12V CJ G4	1010 127 98346	160	19200	300 x 266 x 83
LinLED 560x24mm 2200lm 830 2C+R 24V CJ G4	1010 127 98446	160	9600	603 x 266 x 83
LinLED 1120x24mm 4400lm 830 2C+R 48V CJ G4	1010 127 98546	160	4800	1198 x 266 x 83
LinLED 1400x24mm 5500lm 830 2C+R 60V CJ G4	1010 127 98646	160	4800	1498 x 266 x 83
LinLED 70x24mm 275lm 840 2C+R 3V CJ G4	1010 127 98746	320	76800	150 x 266 x 83
LinLED 140x24mm 550lm 840 2C+R 6V CJ G4	1010 127 98846	160	38400	150 x 266 x 83
LinLED 280x24mm 1100lm 840 2C+R 12V CJ G4	1010 127 98946	160	19200	300 x 266 x 83
LinLED 560x24mm 2200lm 840 2C+R 24V CJ G4	1010 127 99046	160	9600	603 x 266 x 83
LinLED 1120x24mm 4400lm 840 2C+R 48V CJ G4	1010 127 99146	160	4800	1198 x 266 x 83
LinLED 1400x24mm 5500lm 840 2C+R 60V CJ G4	1010 127 99246	160	4800	1498 x 266 x 83
LinLED 70x24mm 275lm 830 2C+R 3V LG G2	1010 147 37246	320	76800	150 x 266 x 83
LinLED 140x24mm 550lm 830 2C+R 6V LG G2	1010 147 37346	160	38400	150 x 266 x 83
LinLED 280x24mm 1100lm 830 2C+R 12V LG G2	1010 147 37446	160	19200	300 x 266 x 83
LinLED 560x24mm 2200lm 830 2C+R 24V LG G2	1010 147 37546	160	9600	603 x 266 x 83
LinLED 1120x24mm 4400lm 830 2C+R 48V LG G2	1010 147 37646	160	4800	1198 x 266 x 83
LinLED 1400x24mm 5500lm 830 2C+R 60V LG G2	1010 147 37746	160	4800	1498 x 266 x 83
LinLED 70x24mm 275lm 840 2C+R 3V LG G2	1010 147 37846	320	76800	150 x 266 x 83
LinLED 140x24mm 550lm 840 2C+R 6V LG G2	1010 147 37946	160	38400	150 x 266 x 83
LinLED 280x24mm 1100lm 840 2C+R 12V LG G2	1010 147 38046	160	19200	300 x 266 x 83
LinLED 560x24mm 2200lm 840 2C+R 24V LG G2	1010 147 38146	160	9600	603 x 266 x 83
LinLED 1120x24mm 4400lm 840 2C+R 48V LG G2	1010 147 38246	160	4800	1198 x 266 x 83
LinLED 1400x24mm 5500lm 840 2C+R 60V LG G2	1010 147 38346	160	4800	1498 x 266 x 83
LinLED 70x24mm 275lm 830 2C+R 3V CN G3	1010 147 38446	320	76800	150 x 266 x 83
LinLED 140x24mm 550lm 830 2C+R 6V CN G3	1010 147 38546	160	38400	150 x 266 x 83
LinLED 280x24mm 1100lm 830 2C+R 12V CN G3	1010 147 38646	160	19200	300 x 266 x 83
LinLED 560x24mm 2200lm 830 2C+R 24V CN G3	1010 147 38746	160	9600	603 x 266 x 83
LinLED 1120x24mm 4400lm 830 2C+R 48V CN G3	1010 147 38846	160	4800	1198 x 266 x 83
LinLED 1400x24mm 5500lm 830 2C+R 60V CN G3	1010 147 38946	160	4800	1498 x 266 x 83
LinLED 70x24mm 275lm 840 2C+R 3V CN G3	1010 147 39046	320	76800	150 x 266 x 83
LinLED 140x24mm 550lm 840 2C+R 6V CN G3	1010 147 39146	160	38400	150 x 266 x 83
LinLED 280x24mm 1100lm 840 2C+R 12V CN G3	1010 147 39246	160	19200	300 x 266 x 83
LinLED 560x24mm 2200lm 840 2C+R 24V CN G3	1010 147 39346	160	9600	603 x 266 x 83
LinLED 1120x24mm 4400lm 840 2C+R 48V CN G3	1010 147 39446	160	4800	1198 x 266 x 83
LinLED 1400x24mm 5500lm 840 2C+R 60V CN G3	1010 147 39546	160	4800	1498 x 266 x 83
LinLED 70x24mm 275lm 930 2C+R 3V S8 K G7	1010 147 43246	320	76800	150 x 266 x 83
LinLED 140x24mm 550lm 930 2C+R 6V S8 K G7	1010 147 43346	160	38400	150 x 266 x 83
LinLED 280x24mm 1100lm 930 2C+R 12V S8 K G7	1010 147 43446	160	19200	300 x 266 x 83
LinLED 560x24mm 2200lm 930 2C+R 24V S8 K G7	1010 147 43546	160	9600	603 x 266 x 83
LinLED 1120x24mm 4400lm 930 2C+R 48V S8 K G7	1010 147 43646	160	4800	1198 x 266 x 83
LinLED 1400x24mm 5500lm 930 2C+R 60V S8 K G7	1010 147 43746	160	4800	1498 x 266 x 83
LinLED 70x24mm 275lm 940 2C+R 3V S8 K G7	1010 147 43846	320	76800	150 x 266 x 83
LinLED 140x24mm 550lm 940 2C+R 6V S8 K G7	1010 147 43946	160	38400	150 x 266 x 83
LinLED 280x24mm 1100lm 940 2C+R 12V S8 K G7	1010 147 44046	160	19200	300 x 266 x 83
LinLED 560x24mm 2200lm 940 2C+R 24V S8 K G7	1010 147 44146	160	9600	603 x 266 x 83
LinLED 1120x24mm 4400lm 940 2C+R 48V S8 K G7	1010 147 44246	160	4800	1198 x 266 x 83
LinLED 1400x24mm 5500lm 940 2C+R 60V S8 K G7	1010 147 44346	160	4800	1498 x 266 x 83
LinLED 70x24mm 275lm 930 2C+R 3V S5 K G6	1010 147 45646	320	76800	150 x 266 x 83
LinLED 140x24mm 550lm 930 2C+R 6V S5 K G6	1010 147 45746	160	38400	150 x 266 x 83
LinLED 280x24mm 1100lm 930 2C+R 12V S5 K G6	1010 147 45846	160	19200	300 x 266 x 83
LinLED 560x24mm 2200lm 930 2C+R 24V S5 K G6	1010 147 45946	160	9600	603 x 266 x 83
LinLED 1120x24mm 4400lm 930 2C+R 48V S5 K G6	1010 147 46046	160	4800	1198 x 266 x 83
LinLED 1400x24mm 5500lm 930 2C+R 60V S5 K G6	1010 147 46146	160	4800	1498 x 266 x 83
LinLED 70x24mm 275lm 940 2C+R 3V S5 K G6	1010 147 46246	320	76800	150 x 266 x 83
LinLED 140x24mm 550lm 940 2C+R 6V S5 K G6	1010 147 46346	160	38400	150 x 266 x 83
LinLED 280x24mm 1100lm 940 2C+R 12V S5 K G6	1010 147 46446	160	19200	300 x 266 x 83
LinLED 560x24mm 2200lm 940 2C+R 24V S5 K G6	1010 147 46546	160	9600	603 x 266 x 83
LinLED 1120x24mm 4400lm 940 2C+R 48V S5 K G6	1010 147 46646	160	4800	1198 x 266 x 83
LinLED 1400x24mm 5500lm 940 2C+R 60V S5 K G6	1010 147 46746	160	4800	1498 x 266 x 83

Linear LED modules 1100lm 12V per 1ft 2C+R

Ordering codes

Product name	Ordering code	Pieces per box	Pieces per pallet	Box dimensions [mm]
LinLED 70x24mm 275lm 930 2C+R 3V EH1.1 G3	1010 157 11646	320	76800	150 x 266 x 83
LinLED 140x24mm 550lm 930 2C+R 6V EH1.1 G3	1010 157 11746	160	38400	150 x 266 x 83
LinLED 280x24mm 1100lm 930 2C+R 12V EH1.1 G3	1010 157 11846	160	19200	300 x 266 x 83
LinLED 560x24mm 2200lm 930 2C+R 24V EH1.1 G3	1010 157 11946	160	9600	603 x 266 x 83
LinLED 1120x24mm 4400lm 930 2C+R 48V EH1.1 G3	1010 157 12046	160	4800	1198 x 266 x 83
LinLED 1400x24mm 5500lm 930 2C+R 60V EH1.1 G3	1010 157 12146	160	4800	1498 x 266 x 83
LinLED 70x24mm 275lm 940 2C+R 3V EH1.1 G3	1010 157 12246	320	76800	150 x 266 x 83
LinLED 140x24mm 550lm 940 2C+R 6V EH1.1 G3	1010 157 12346	160	38400	150 x 266 x 83
LinLED 280x24mm 1100lm 940 2C+R 12V EH1.1 G3	1010 157 12446	160	19200	300 x 266 x 83
LinLED 560x24mm 2200lm 940 2C+R 24V EH1.1 G3	1010 157 12546	160	9600	603 x 266 x 83
LinLED 1120x24mm 4400lm 940 2C+R 48V EH1.1 G3	1010 157 12646	160	4800	1198 x 266 x 83
LinLED 1400x24mm 5500lm 940 2C+R 60V EH1.1 G3	1010 157 12746	160	4800	1498 x 266 x 83