

Linear LED modules 279x10.5mm DALINE-10

A linear solution for architectural lighting. Optimized for LEDiL's DALINE-10 optics.

Product description

- Long life-time
- Built-in, constant current LED module
- Re-workable push-in terminals enabling easy connection
- Compliance and approval: CE
- Other CCT and CRI on request



LinLED CRI 80 G1

Product name	Ordering code	Colour temperature [K]	Current nominal If nom [mA]	Luminous flux ¹ φ [lm]	Useful luminous flux ² [lm]	Voltage ¹ Vf [V]	Power ¹ P [W]	Efficacy ¹ [lm/W]	Current minimum If min ³ [mA]	Current maximum If max [mA]	Energy Efficiency Class
LinLED 279x10.5mm 1100lm 830 4C 36V DALINE-10 G1	1010 137 07146	3000K	185	1122	1150	33	6.0	186	20	600	C
LinLED 279x10.5mm 1100lm 840 4C 36V DALINE-10 G1	1010 137 07246	4000K	185	1167	1196	33	6.0	193	20	600	C

LinLED CRI 90 G1

Product name	Ordering code	Colour temperature [K]	Current nominal If nom [mA]	Luminous flux ¹ φ [lm]	Useful luminous flux ² [lm]	Voltage ¹ Vf [V]	Power ¹ P [W]	Efficacy ¹ [lm/W]	Current minimum If min ³ [mA]	Current maximum If max [mA]	Energy Efficiency Class
LinLED 279x10.5mm 1100lm 930 4C 36V DALINE-10 G1	1010 137 10246	3000K	220	1084	1111	33	7.2	150	20	600	D
LinLED 279x10.5mm 1100lm 940 4C 36V DALINE-10 G1	1010 137 10346	4000K	220	1150	1179	33	7.2	159	20	600	D

¹At nominal current and T_p

²At nominal current and 25°C

³It is recommended not to operate below minimum current in order to avoid un-even brightness

Tolerance range for optical and electrical ±10%

Temperature & humidity

Specification item	Unit	Value
T _p	[°C]	45
T _{p rated}	[°C]	65
T _c	[°C]	85
Relative humidity (non-condensing)	[%]	5 ... 85
Storage ambient temperature	[°C]	-25 ... +85
Storage relative humidity (non-condensing)	[%]	5 ... 85

T_p - Temperature related to the performance parameters of the LED modules

T_{p rated} - Maximum operating temperature to which the rated performance characteristics are declared

T_c - Highest permissible value for safe operation

Technical data

Specification item	Unit	Value
Classification acc. to IEC 62031		built-in
Working voltage	[Vdc]	60
Beam angle	[deg]	120
Initial color consistency	[SDCM]	3
Photobiological safety		RG1 unlimited

Linear LED modules 279x10.5mm DALINE-10

Color coordinates

According to CIE 1931

Specification item	CIEx	CIEy
2700K	0.4578	0.4101
3000K	0.4338	0.4030
4000K	0.3818	0.3797
6500K	0.3123	0.3282

Certificates & standards

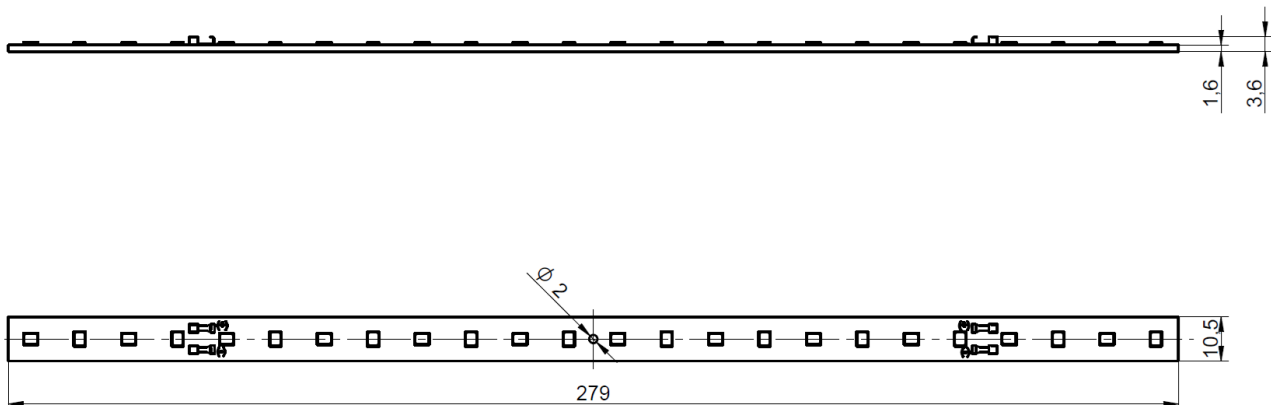
Specification item	Compliant
ENEC	No
CE	Yes
RoHS	Yes
REACH	Yes
Zhaga	No
IP rating	No IP rating

Lumen maintenance LinLED CRI 80, 90

Forward current	Tp temp.	L70 [h]		L80 [h]		L90 [h]	
		B50	B10	B50	B10	B50	B10
If nom	45°C	>102 000	>102 000	>102 000	>102 000	>102 000	>102 000
	55°C	>102 000	>102 000	>102 000	>102 000	>100 000	99 000
	65°C	>102 000	>102 000	>102 000	>102 000	85 000	84 000
	75°C	>102 000	>102 000	>102 000	>102 000	71 000	70 000
	85°C	>102 000	>102 000	>102 000	>102 000	61 000	60 000
If max	45°C	>102 000	>102 000	>102 000	>102 000	>102 000	>102 000
	55°C	>102 000	>102 000	>102 000	>102 000	90 000	89 000
	65°C	>102 000	>102 000	>102 000	>102 000	77 000	76 000
	75°C	>102 000	>102 000	>102 000	>102 000	65 000	64 000
	85°C	>102 000	>102 000	>102 000	>102 000	55 000	54 000

reported data based on LM80 LED data 17 000h

Dimensions



Mounting

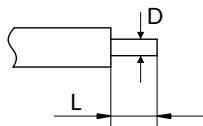
LED Modules cannot be exposed to tensile or compressive stresses. For this purpose it is necessary that the modules are assembled to a flat surface by only rounded head screws. Additionally plastic flat washer should be used to ensure creepage distance between screw's head and surface of the pcb. Max. torque for fixing: 0,5Nm.

LED modules are sensitive to electrostatic discharge (ESD). Follow safety regulations according to IEC 61340-5-1.

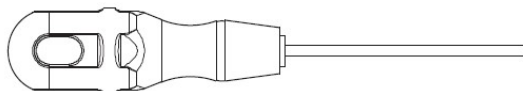
Linear LED modules 279x10.5mm DALINE-10

Wiring AVX

Wire cross section and strip length:



Opening for the release of wires with contact opening tool AVX art. 06-9296-7001-01-000:



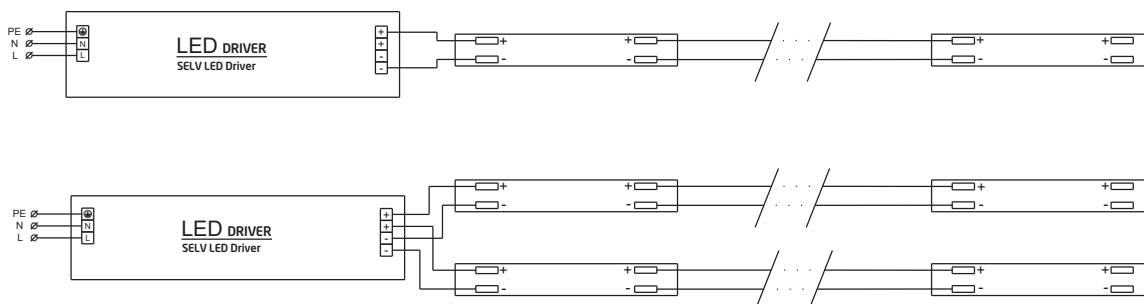
D - wire cross section (solid and flexible wires)	Min	Max
	0.08mm ²	0.35mm ²
	AWG 28	AWG 22

L - strip length	Min	Max
	3mm	4mm

Connections

Max number of modules	Unit	Series	Parallel
LinLED 279x10.5mm	[pcs]	-	6

Wiring for parallel connection system



Ordering codes

Product name	Ordering code	Pieces per box	Pieces per pallet	Box dimensions [mm]
LinLED 279x10.5mm 1100lm 830 4C 36V DALINE-10 G1	1010 137 07146	252	30240	300 x 266 x 83
LinLED 279x10.5mm 1100lm 840 4C 36V DALINE-10 G1	1010 137 07246	252	30240	300 x 266 x 83
LinLED 279x10.5mm 1100lm 930 4C 36V DALINE-10 G1	1010 137 10246	252	30240	300 x 266 x 83
LinLED 279x10.5mm 1100lm 940 4C 36V DALINE-10 G1	1010 137 10346	252	30240	300 x 266 x 83