

Linear LED modules 279x10.5mm DALINE-10

A linear solution for architectural lighting. Optimized for LEDiL's DALINE-10 optics.

Product description

- Long life-time
- Built-in, constant current LED module
- Re-workable push-in terminals enabling easy connection
- Compliance and approval: CE
- Other CCT and CRI on request



LinLED CRI 80 G4

Product name	Ordering code	Colour temperature [K]	Current nominal If nom [mA]	Luminous flux ¹ φ [lm]	Useful luminous flux ² [lm]	Voltage ¹ Vf [V]	Power ¹ P [W]	Efficacy ¹ [lm/W]	Current minimum If min ³ [mA]	Current maximum If max [mA]	Energy Efficiency Class
LinLED 279x10.5mm 1100lm 827 4C 36V DALINE-10 CJ G4	1010 137 34646	2700	185	1047	1074	33	6.0	174	20	600	C
LinLED 279x10.5mm 1100lm 830 4C 36V DALINE-10 CJ G4	1010 137 07146	3000	185	1122	1150	33	6.0	186	20	600	C
LinLED 279x10.5mm 1100lm 840 4C 36V DALINE-10 CJ G4	1010 137 07246	4000	185	1167	1196	33	6.0	193	20	600	C

LinLED CRI 90 G5

Product name	Ordering code	Colour temperature [K]	Current nominal If nom [mA]	Luminous flux ¹ φ [lm]	Useful luminous flux ² [lm]	Voltage ¹ Vf [V]	Power ¹ P [W]	Efficacy ¹ [lm/W]	Current minimum If min ³ [mA]	Current maximum If max [mA]	Energy Efficiency Class
LinLED 279x10.5mm 1100lm 930 4C 36V DALINE-10 LE G5	1010 147 25746	3000	190	1070	1098	33	6.2	172	20	400	C
LinLED 279x10.5mm 1100lm 940 4C 36V DALINE-10 LE G5	1010 147 25846	4000	190	1137	1167	33	6.2	183	20	400	C

¹At nominal current and T_p

²At nominal current and 25°C

³It is recommended not to operate below minimum current in order to avoid un-even brightness

Tolerance range for optical and electrical ±10%

Temperature & humidity

Specification item	Unit	Value
T _p	[°C]	45
T _p rated	[°C]	65
T _c	[°C]	85
Relative humidity (non-condensing)	[%]	5 ... 85
Storage ambient temperature	[°C]	-25 ... +85
Storage relative humidity (non-condensing)	[%]	5 ... 85

T_p - Temperature related to the performance parameters of the LED modules

T_p rated - Maximum operating temperature to which the rated performance characteristics are declared

T_c - Highest permissible value for safe operation

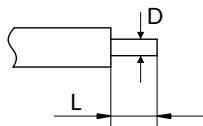
Technical data

Specification item	Unit	Value
Classification acc. to IEC 62031		built-in
Working voltage	[Vdc]	60
Beam angle	[deg]	120
Initial color consistency	[SDCM]	3
Photobiological safety		RG1 unlimited

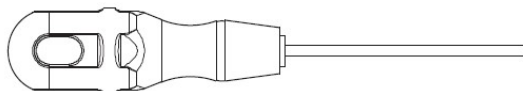
Linear LED modules 279x10.5mm DALINE-10

Wiring AVX

Wire cross section and strip length:



Opening for the release of wires with contact opening tool AVX art. 06-9296-7001-01-000:



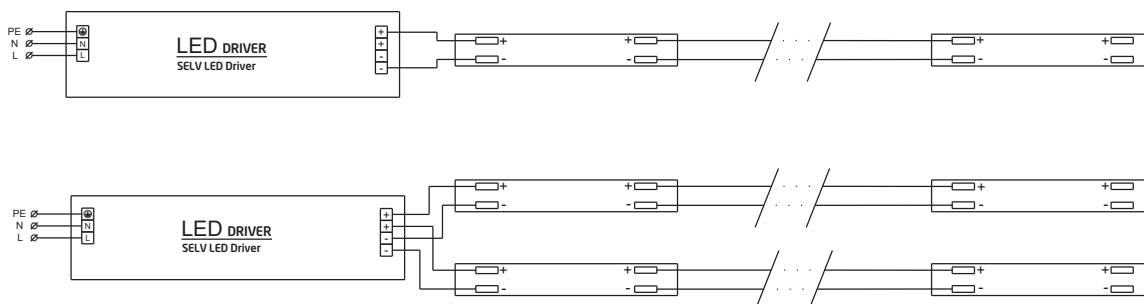
D - wire cross section (solid and flexible wires)	Min	Max
	0.08mm ²	0.35mm ²
	AWG 28	AWG 22

L - strip length	Min	Max
	3mm	4mm

Connections

Max number of modules	Unit	Series	Parallel
LinLED 279x10.5mm	[pcs]	-	6

Wiring for parallel connection system



Ordering codes

Product name	Ordering code	Pieces per box	Pieces per pallet	Box dimensions [mm]
LinLED 279x10.5mm 1100lm 827 4C 36V DALINE-10 CJ G4	1010 137 34646	252	30240	300 x 266 x 83
LinLED 279x10.5mm 1100lm 830 4C 36V DALINE-10 CJ G4	1010 137 07146	252	30240	300 x 266 x 83
LinLED 279x10.5mm 1100lm 840 4C 36V DALINE-10 CJ G4	1010 137 07246	252	30240	300 x 266 x 83
LinLED 279x10.5mm 1100lm 930 4C 36V DALINE-10 LE G5	1010 147 25746	252	30240	300 x 266 x 83
LinLED 279x10.5mm 1100lm 940 4C 36V DALINE-10 LE G5	1010 147 25846	252	30240	300 x 266 x 83