

Linear LED modules 279x10.5mm DALINE-10

A linear solution for architectural lighting. Optimized for LEDiL's DALINE-10 optics.

Product description

- Long life-time
- Built-in, constant current LED module
- Re-workable push-in terminals enabling easy connection
- Compliance and approval: CE
- Other CCT and CRI on request



LinLED CRI 80 CJ G4

Product name	Ordering code	Colour temperature [K]	Current nominal If nom [mA]	Luminous flux ¹ φ [lm]	Useful luminous flux ² [lm]	Voltage ¹ Vf [V]	Power ¹ P [W]	Efficacy ¹ [lm/W]	Current minimum If min ³ [mA]	Current maximum If max [mA]	Energy Efficiency Class
LinLED 279x10.5mm 1100lm 827 4C 36V DALINE-10 CJ G4	1010 137 34646	2700	185	1047	1074	33	6.0	174	20	600	C
LinLED 279x10.5mm 1100lm 830 4C 36V DALINE-10 CJ G4	1010 137 07146	3000	185	1122	1150	33	6.0	186	20	600	C
LinLED 279x10.5mm 1100lm 840 4C 36V DALINE-10 CJ G4	1010 137 07246	4000	185	1167	1196	33	6.0	193	20	600	C

LinLED CRI 90 LE G5

Product name	Ordering code	Colour temperature [K]	Current nominal If nom [mA]	Luminous flux ¹ φ [lm]	Useful luminous flux ² [lm]	Voltage ¹ Vf [V]	Power ¹ P [W]	Efficacy ¹ [lm/W]	Current minimum If min ³ [mA]	Current maximum If max [mA]	Energy Efficiency Class
LinLED 279x10.5mm 1100lm 930 4C 36V DALINE-10 LE G5	1010 147 25746	3000	190	1070	1098	33	6.2	172	20	400	C
LinLED 279x10.5mm 1100lm 940 4C 36V DALINE-10 LE G5	1010 147 25846	4000	190	1137	1167	33	6.2	183	20	400	C

¹At nominal current and T_p

²At nominal current and 25°C

³It is recommended not to operate below minimum current in order to avoid un-even brightness

Tolerance range for optical and electrical ±10%

Temperature & humidity

Specification item	Unit	Value
T _p	[°C]	45
T _p rated	[°C]	65
T _c	[°C]	85
Relative humidity (non-condensing)	[%]	5 ... 85
Storage ambient temperature	[°C]	-25 ... +85
Storage relative humidity (non-condensing)	[%]	5 ... 85

T_p - Temperature related to the performance parameters of the LED modules

T_p rated - Maximum operating temperature to which the rated performance characteristics are declared

T_c - Highest permissible value for safe operation

Technical data

Specification item	Unit	Value
Classification acc. to IEC 62031		built-in
Working voltage	[Vdc]	60
Beam angle	[deg]	120
Initial color consistency	[SDCM]	3
Photobiological safety		RG1 unlimited

Linear LED modules 279x10.5mm DALINE-10

Color coordinates

According to CIE 1931

Specification item	CIE _x	CIE _y
2700K	0.4578	0.4101
3000K	0.4338	0.4030
4000K	0.3818	0.3797

Certificates & standards

Specification item	Compliant
ENEC	Pending
CE	Yes
RoHS	Yes
REACH	Yes
Zhaga	No
IP rating	No IP rating

Lumen maintenance

for LE G5

Forward current	Tp temp.	L70 [h]		L80 [h]		L90 [h]	
		B50	B10	B50	B10	B50	B10
If nom	45°C	>100 000	>100 000	>100 000	>100 000	>100 000	>100 000
	55°C	>100 000	>100 000	>100 000	>100 000	>100 000	>100 000
	65°C	>100 000	>100 000	>100 000	>100 000	>100 000	>100 000
	75°C	>100 000	>100 000	>100 000	>100 000	>100 000	98 000
	85°C	>100 000	>100 000	>100 000	>100 000	81 000	73 000
If max	45°C	>100 000	>100 000	92 000	87 000	45 000	42 000
	55°C	>100 000	>100 000	92 000	87 000	45 000	42 000
	65°C	>100 000	>100 000	92 000	87 000	45 000	42 000
	75°C	>100 000	>100 000	92 000	87 000	45 000	42 000
	85°C	>100 000	>100 000	92 000	87 000	45 000	42 000

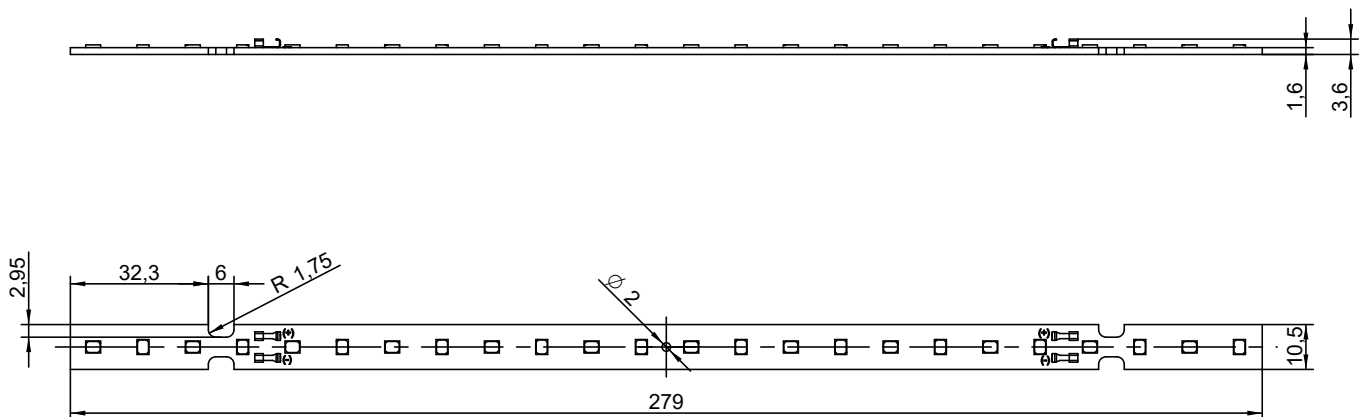
Calculated data based on LM80 LED data (12 000h)

for CJ G4

Forward current	Tp temp.	L70 [h]		L80 [h]		L90 [h]	
		B50	B10	B50	B10	B50	B10
If nom	45°C	>102 000	>102 000	>102 000	>102 000	>102 000	>102 000
	55°C	>102 000	>102 000	>102 000	>102 000	>102 000	>102 000
	65°C	>102 000	>102 000	>102 000	>102 000	87 000	86 000
	75°C	>102 000	>102 000	>102 000	>102 000	74 000	73 000
	85°C	>102 000	>102 000	>102 000	>102 000	63 000	62 000
If max	45°C	>102 000	>102 000	>102 000	>102 000	>102 000	>102 000
	55°C	>102 000	>102 000	>102 000	>102 000	90 000	89 000
	65°C	>102 000	>102 000	>102 000	>102 000	77 000	76 000
	75°C	>102 000	>102 000	>102 000	>102 000	65 000	64 000
	85°C	>102 000	>102 000	>102 000	>102 000	55 000	54 000

Reported data based on LM80 LED data (17 000h)

Dimensions



Mounting

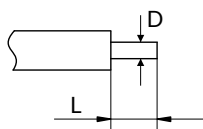
LED Modules cannot be exposed to tensile or compressive stresses. For this purpose it is necessary that the modules are assembled to a flat surface by only rounded head screws. Additionally plastic flat washer should be used to ensure creepage distance between screw's head and surface of the pcb. Max. torque for fixing: 0,5Nm.

LED modules are sensitive to electrostatic discharge (ESD). Follow safety regulations according to IEC 61340-5-1.

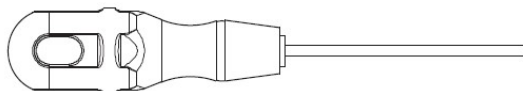
Linear LED modules 279x10.5mm DALINE-10

Wiring

Wire cross section and strip length:



Opening for the release of wires with contact opening tool AVX art. 06-9296-7001-01-000:



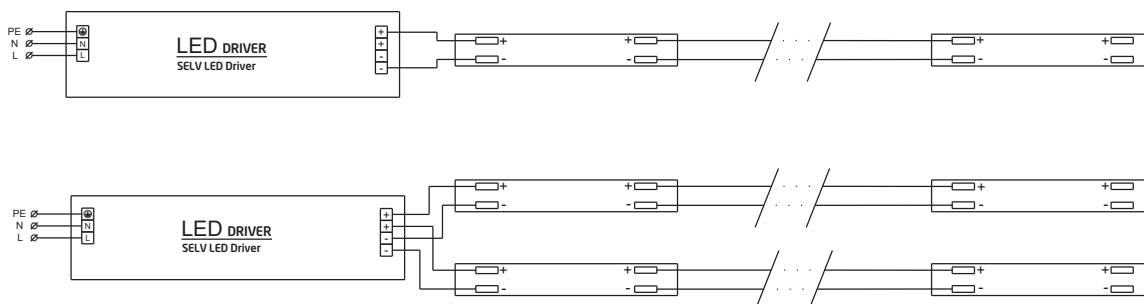
D - wire cross section (solid and flexible wires)	Min	Max
	0.08mm ²	0.35mm ²
	AWG 28	AWG 22

L - strip length	Min	Max
	3mm	4mm

Connections

Max number of modules	Unit	Series	Parallel
LinLED 279x10.5mm	[pcs]	-	6

Wiring for parallel connection system



Ordering codes

Product name	Ordering code	Pieces per box	Pieces per pallet	Box dimensions [mm]
LinLED 279x10.5mm 1100lm 827 4C 36V DALINE-10 CJ G4	1010 137 34646	252	30240	300 x 266 x 83
LinLED 279x10.5mm 1100lm 830 4C 36V DALINE-10 CJ G4	1010 137 07146	252	30240	300 x 266 x 83
LinLED 279x10.5mm 1100lm 840 4C 36V DALINE-10 CJ G4	1010 137 07246	252	30240	300 x 266 x 83
LinLED 279x10.5mm 1100lm 930 4C 36V DALINE-10 LE G5	1010 147 25746	252	30240	300 x 266 x 83
LinLED 279x10.5mm 1100lm 940 4C 36V DALINE-10 LE G5	1010 147 25846	252	30240	300 x 266 x 83