

Linear LED modules 497x14mm LENS

Product description

- Linear LED modules with ‚batwing‘ lenses for backlight applications
- 12 LENS version dedicated for best uniformity
- 8 LENS version dedicated for less demanding solutions
- Long life-time
- Built-in, constant current LED module
- Re-workable push-in terminals enabling easy connection
- Compliance and approval: CE
- SELV
- Other CRI and CCT on request



LinLED CRI 80 8xLENS G4

Product name	Ordering code	Colour temperature [K]	Current nominal If nom [mA]	Luminous flux ¹ φ [lm]	Useful luminous flux ² [lm]	Voltage ¹ Vf [V]	Power ¹ P [W]	Efficacy ¹ [lm/W]	Current minimum If min ³ [mA]	Current maximum If max [mA]	Energy Efficiency Class
LinLED 497x14mm 800lm 830 SELV 6V 8xLENS CJ G4	1010 137 31946	3000K	850	764	833	5.8	4.9	156	40	1200	D
LinLED 497x14mm 800lm 840 SELV 6V 8xLENS CJ G4	1010 137 32046	4000K	850	795	867	5.8	4.9	162	40	1200	C

LinLED CRI 80 12xLENS G4

Product name	Ordering code	Colour temperature [K]	Current nominal If nom [mA]	Luminous flux ¹ φ [lm]	Useful luminous flux ² [lm]	Voltage ¹ Vf [V]	Power ¹ P [W]	Efficacy ¹ [lm/W]	Current minimum If min ³ [mA]	Current maximum If max [mA]	Energy Efficiency Class
LinLED 497x14mm 800lm 830 SELV 6V 12xLENS CJ G4	1010 137 32146	3000K	820	762	831	5.6	4.6	167	60	1800	C
LinLED 497x14mm 800lm 840 SELV 6V 12xLENS CJ G4	1010 137 32246	4000K	820	793	865	5.6	4.6	174	60	1800	C

¹At nominal current and T_p

²At nominal current and 25°C

³It is recommended not to operate below minimum current in order to avoid un-even brightness

Tolerance range for optical and electrical ±10%

Temperature & humidity

Specification item	Unit	Value
T _p	[°C]	45
T _{p rated}	[°C]	65
T _c	[°C]	85
Relative humidity (non-condensing)	[%]	5 ... 85
Storage ambient temperature	[°C]	-25 ... +85
Storage relative humidity (non-condensing)	[%]	5 ... 85

T_p - Temperature related to the performance parameters of the LED modules

T_{p rated} - Maximum operating temperature to which the rated performance characteristics are declared

T_c - Highest permissible value for safe operation

Technical data

Specification item	Unit	Value
Classification acc. to IEC 62031		built-in
Working voltage	[Vdc]	60
Beam angle	[deg]	160
Initial color consistency	[SDCM]	3
Photobiological safety		RG1 unlimited

Linear LED modules 497x14mm LENS

Color coordinates

According to CIE 1931

Specification item	CIE _x	CIE _y
3000K	0.4338	0.4030
4000K	0.3818	0.3797

Certificates & standards

Specification item	Compliant
ENEC	No
CE	Yes
RoHS	Yes
REACH	Yes
IP rating	No IP rating

Lumen maintenance

for LinLED CRI 80 8xLENS G4

LinLED CRI 80

Forward current	T _p temp.	L70 [h]		L80 [h]		L90 [h]	
		B50	B10	B50	B10	B50	B10
If nom	45°C	>102 000	>102 000	>102 000	>102 000	>102 000	>102 000
	55°C	>102 000	>102 000	>102 000	>102 000	93 000	92 000
	65°C	>102 000	>102 000	>102 000	>102 000	79 000	78 000
	75°C	>102 000	>102 000	>102 000	>102 000	67 000	66 000
	85°C	>102 000	>102 000	>102 000	>102 000	57 000	56 000
If max	45°C	>102 000	>102 000	>102 000	>102 000	>102 000	>102 000
	55°C	>102 000	>102 000	>102 000	>102 000	90 000	89 000
	65°C	>102 000	>102 000	>102 000	>102 000	77 000	76 000
	75°C	>102 000	>102 000	>102 000	>102 000	65 000	64 000
	85°C	>102 000	>102 000	>102 000	>102 000	55 000	54 000

reported data based on LM80 LED data 12000h

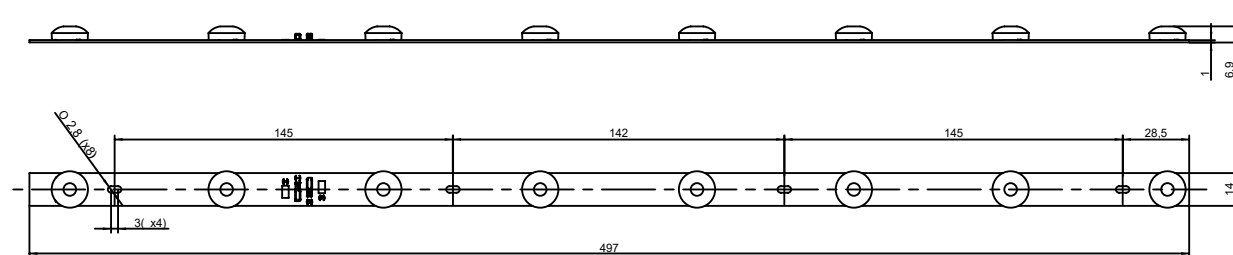
for LinLED CRI 80 12xLENS G4

Forward current	T _p temp.	L70 [h]		L80 [h]		L90 [h]	
		B50	B10	B50	B10	B50	B10
If nom	45°C	>102 000	>102 000	>102 000	>102 000	>102 000	>102 000
	55°C	>102 000	>102 000	>102 000	>102 000	100 000	99 000
	65°C	>102 000	>102 000	>102 000	>102 000	85 000	84 000
	75°C	>102 000	>102 000	>102 000	>102 000	71 000	70 000
	85°C	>102 000	>102 000	>102 000	>102 000	61 000	60 000
If max	45°C	>102 000	>102 000	>102 000	>102 000	>102 000	>102 000
	55°C	>102 000	>102 000	>102 000	>102 000	90 000	89 000
	65°C	>102 000	>102 000	>102 000	>102 000	77 000	76 000
	75°C	>102 000	>102 000	>102 000	>102 000	65 000	64 000
	85°C	>102 000	>102 000	>102 000	>102 000	55 000	54 000

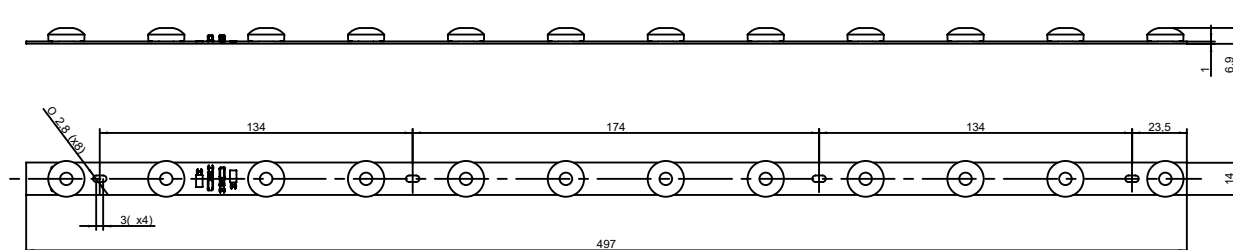
reported data based on LM80 LED data 12000h

Dimensions

LinLED 497x14mm 8xLENS G4



LinLED 497x14mm 12xLENS G4



Mounting

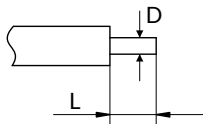
LED Modules cannot be exposed to tensile or compressive stresses. For this purpose it is necessary that the modules are assembled to a flat surface by only rounded head screws. Additionally plastic flat washer should be used to ensure creepage distance between screw's head and surface of the pcb. Max. torque for fixing: 0,5Nm.

LED modules are sensitive to electrostatic discharge (ESD). Follow safety regulations according to IEC 61340-5-1.

Linear LED modules 497x14mm LENS

Wiring BJB PICO

Wire cross section and strip length:



D - wire cross section solid and flexible wires	Min	Max
	0.2mm ²	0.75mm ²
	AWG 24	AWG 18

L - strip length	Min	Max
ø < 1.55mm	6.5mm	7.5mm
ø > 1.55mm	7.5mm	9.5mm

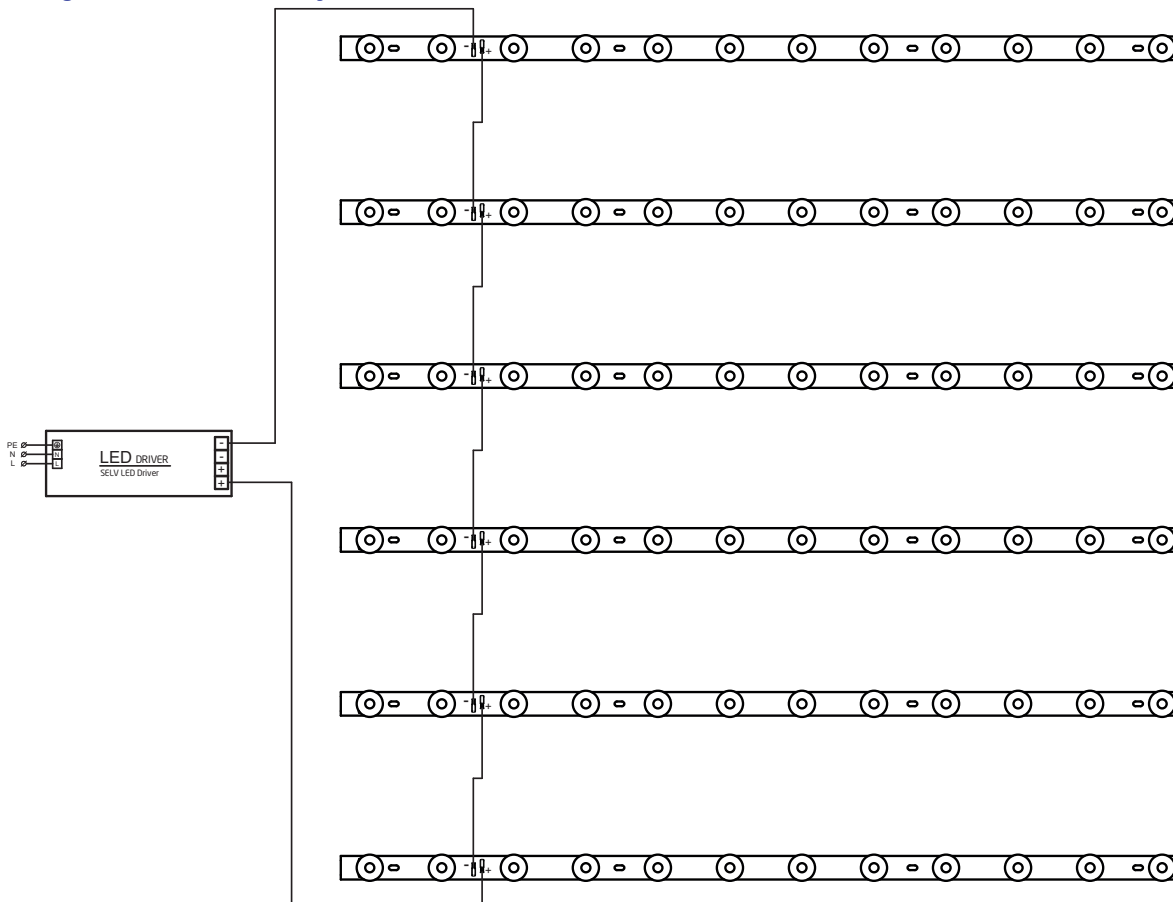
Opening for the release of wires from the top with release tool BJB art. 46.110.U801.89:



Connections

Max number of modules	Unit	Series	Parallel
LinLED 497x14mm	[pcs]	9	-

Wiring for series connection system



Linear LED modules 497x14mm LENS

Energy Label / EPREL database

To obtain Energy Label for this product visit <https://eprel.ec.europa.eu/> and enter model identifier

Model identifier consists of 10 digits XXXX XXX XXX. It is printed directly on the LED module or on product label. This is the number you can see in EPREL database.

Ordering code consist of 12 digits XXXX XXX XXX46. Additional last two digits means packaging of the product.