

RecLED STRADA-2X3-5050

A rectangular solution for outdoor lighting. Compatible with LEDiL's STRADA-2X3-5050 optics.

Product description

- Long life-time
- Built-in, constant current LED module
- Re-workable push-in terminals enabling easy connection
- Compliance and approval: CE
- Other CCT and CRI on request



The number and type of connectors may vary depending on the type of module.

RecLED CRI 70 LHP NTC G6

Product name	Ordering code	Colour temperature [K]	Current nominal If nom [mA]	Luminous flux ¹ φ [lm]	Useful luminous flux ² [lm]	Voltage ¹ Vf [V]	Power ¹ P [W]	Efficacy ¹ [lm/W]	Current minimum If min ³ [mA]	Current maximum If max [mA]	Energy Efficiency Class	
RecLED 122x50mm 1900lm 730 36V 2x 2x3 5050 LHP NTC G6	1010 137 80046	3000	290	1888	1957	32	9.3	203	80	1500	B	
RecLED 173x50mm 2900lm 730 54V 3x 2x3 5050 LHP NTC G6	1010 137 80246		290	2832	2936	48	14	203	80	1500	B	
RecLED 224x50mm 3800lm 730 72V 4x 2x3 5050 LHP NTC G6	1010 137 80446		290	3776	3914	64	19	203	80	1500	B	
RecLED 274x50mm 4800lm 730 90V 5x 2x3 5050 LHP NTC G6	1010 137 80646		290	4720	4893	80	23	203	80	1500	B	
RecLED 122x50mm 1900lm 740 36V 2x 2x3 5050 LHP NTC G6	1010 137 80146		4000	290	1991	2064	32	9.3	215	80	1500	B
RecLED 173x50mm 2900lm 740 54V 3x 2x3 5050 LHP NTC G6	1010 137 80346		4000	290	2987	3096	48	14	215	80	1500	B
RecLED 224x50mm 3800lm 740 72V 4x 2x3 5050 LHP NTC G6	1010 137 80546		290	3983	4128	64	19	215	80	1500	B	
RecLED 274x50mm 4800lm 740 90V 5x 2x3 5050 LHP NTC G6	1010 137 80746		290	4978	5161	80	23	215	80	1500	B	

RecLED CRI 70 S9 NTC G5

Product name	Ordering code	Colour temperature [K]	Current nominal If nom [mA]	Luminous flux ¹ φ [lm]	Useful luminous flux ² [lm]	Voltage ¹ Vf [V]	Power ¹ P [W]	Efficacy ¹ [lm/W]	Current minimum If min ³ [mA]	Current maximum If max [mA]	Energy Efficiency Class	
RecLED 122x50mm 1900lm 730 36V 2x 2x3 5050 S9 NTC G5	1010 137 80846	3000	290	1891	1941	32	9.3	203	80	1250	B	
RecLED 173x50mm 2900lm 730 54V 3x 2x3 5050 S9 NTC G5	1010 137 81046		290	2837	2912	48	14	203	80	1250	B	
RecLED 224x50mm 3800lm 730 72V 4x 2x3 5050 S9 NTC G5	1010 137 81246		290	3782	3882	64	19	203	80	1250	B	
RecLED 274x50mm 4800lm 730 90V 5x 2x3 5050 S9 NTC G5	1010 137 81446		290	4728	4853	81	23	203	80	1250	B	
RecLED 122x50mm 1900lm 740 36V 2x 2x3 5050 S9 NTC G5	1010 137 80946		4000	290	1989	2042	32	9.3	215	80	1250	B
RecLED 173x50mm 2900lm 740 54V 3x 2x3 5050 S9 NTC G5	1010 137 81146		4000	290	2984	3063	48	14	215	80	1250	B
RecLED 224x50mm 3800lm 740 72V 4x 2x3 5050 S9 NTC G5	1010 137 81346		290	3979	4084	64	19	215	80	1250	B	
RecLED 274x50mm 4800lm 740 90V 5x 2x3 5050 S9 NTC G5	1010 137 81546		290	4974	5105	81	23	215	80	1250	B	

¹At nominal current and T_p

²At nominal current and 25°C

³It is recommended not to operate below minimum current in order to avoid un-even brightness

Tolerance range for optical and electrical ±10%

Temperature & humidity

Specification item	Unit	Value
T _p	[°C]	55
T _{p rated}	[°C]	75
T _c	[°C]	95
Relative humidity (non-condensing)	[%]	5 ... 85
Storage ambient temperature	[°C]	-25 ... +85
Storage relative humidity (non-condensing)	[%]	5 ... 85

T_p - Temperature related to the performance parameters of the LED modules

T_{p rated} - Maximum operating temperature to which the rated performance characteristics are declared

T_c - Highest permissible value for safe operation

RecLED STRADA-2X3-5050

Technical data

Specification item	Unit	Value
Classification acc. to IEC 62031		built-in
Working voltage	[Vdc]	420
Beam angle	[deg]	120
Initial color consistency	[SDCM]	5
Photobiological safety		RG2 (RG1 at >0.5m distance)
NTC type	[kΩ]	10'

*Murata NCP18XH103J03RB

Color coordinates

According to CIE 1931

Specification item	CIE _x	CIE _y
3000K	0.4338	0.4030
4000K	0.3818	0.3797

Certificates & standards

Specification item	Compliant
ENEC	No
ENEC+	No
CE	Yes
RoHS	Yes
REACH	Yes
IP rating	No IP rating

Lumen maintenance

for LHP G6

Forward current	Tp temp.	L70 [h]		L80 [h]		L90 [h]	
		B50	B10	B50	B10	B50	B10
If nom	45°C	>102 000	>102 000	>102 000	>102 000	>102 000	>102 000
	55°C	>102 000	>102 000	>102 000	>102 000	>102 000	>102 000
	65°C	>102 000	>102 000	>102 000	>102 000	>102 000	>102 000
	75°C	>102 000	>102 000	>102 000	>102 000	>102 000	>102 000
	85°C	>102 000	>102 000	>102 000	>102 000	>102 000	>102 000
If max	45°C	82 000	79 000	53 000	51 000	27 000	26 000
	55°C	78 000	76 000	49 000	48 000	24 000	23 000
	65°C	76 000	74 000	48 000	47 000	24 000	23 000
	75°C	73 000	70 000	45 000	44 000	21 000	21 000
	85°C	38 000	36 000	25 000	24 000	13 000	12 000

Reported data based on LM80 LED data (17 000h)

for S9 G5

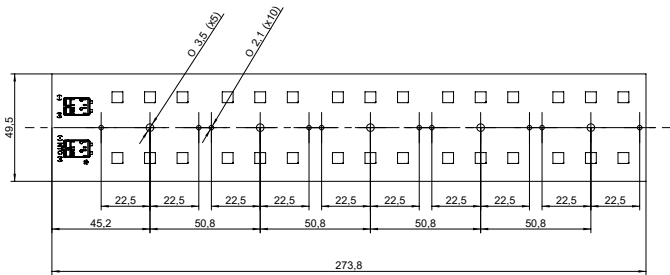
Forward current	Tp temp.	L70 [h]		L80 [h]		L90 [h]	
		B50	B10	B50	B10	B50	B10
If nom	55°C	>120 000	>120 000	>120 000	>120 000	101 000	99 000
	65°C	>120 000	>120 000	>120 000	>120 000	88 000	87 000
	75°C	>120 000	>120 000	>120 000	>120 000	80 000	76 000
	85°C	>120 000	>120 000	>120 000	>120 000	72 000	67 000
	95°C	>120 000	>120 000	>120 000	>120 000	66 000	59 000
If max	55°C	>120 000	>120 000	>120 000	>120 000	65 000	69 000
	65°C	>120 000	106 000	100 000	53 000	54 000	29 000
	75°C	>120 000	78 000	78 000	44 000	43 000	22 000
	85°C	>120 000	59 000	61 000	37 000	35 000	17 000
	95°C	102 000	45 000	49 000	31 000	28 000	13 000

Reported data based on LM80 LED data (20 000h)

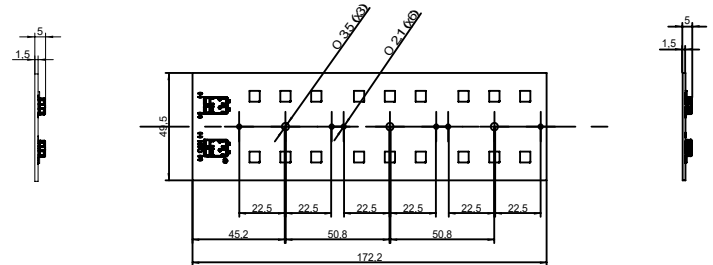
RecLED STRADA-2X3-5050

Dimensions

RecLED 274x50mm 5x 2x3

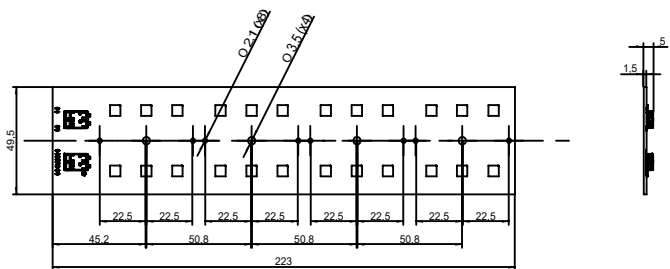


RecLED 173x50mm 3x 2x3

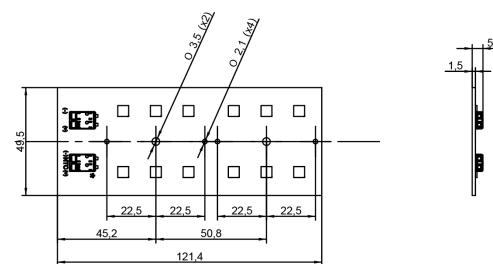


*only modules with NTC

RecLED 224x50mm 4x 2x3



RecLED 122x50mm 2x 2x3



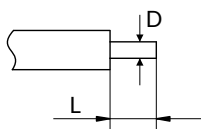
Mounting

LED Modules cannot be exposed to tensile or compressive stresses. For this purpose it is necessary that the modules are assembled to a flat surface by only rounded head screws. Additionally plastic flat washer should be used to ensure creepage distance between screw's head and surface of the pcb. Max. torque for fixing: 0,5Nm.

LED modules are sensitive to electrostatic discharge (ESD). Follow safety regulations according to IEC 61340-5-1.

Wiring

Wire cross section and strip length:



D - wire cross section (solid and flexible wires)	Min	Max
	0.2mm ²	0.75mm ²
	AWG 24	AWG 18

L - strip length	Min	Max
	8mm	9mm

Opening for the release of wires from the top with release pin Electroterminal art. 881 167 884:

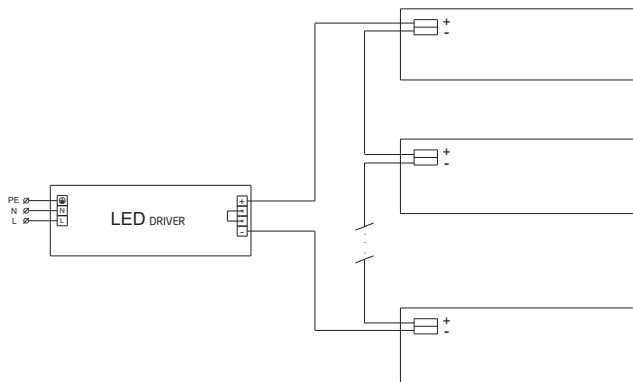


RecLED STRADA-2X3-5050

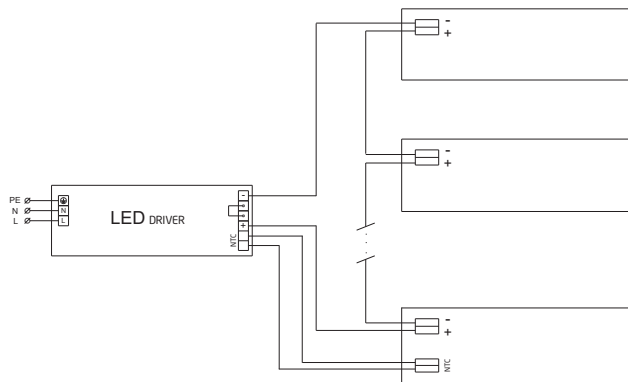
Connections

Max number of modules	Unit	Series	Parallel
RecLED 122x50mm 2x 2x3 5050	[pcs]	12	-
RecLED 173x50mm 3x 2x3 5050	[pcs]	8	-
RecLED 224x50mm 4x 2x3 5050	pcs]	6	-
RecLED 274x50mm 5x 2x3 5050	pcs]	5	-

without NTC



NTC



Energy Label / EPREL database

To obtain Energy Label for this product visit <https://eprel.ec.europa.eu/> and enter model identifier

Model identifier consists of 10 digits XXXX XXX XXX. It is printed directly on the LED module or on product label. This is the number you can see in EPREL database.

Ordering code consist of 12 digits XXXX XXX XXX46. Additional last two digits means packaging of the product.

Ordering codes

Product name	Ordering code	Pieces per box	Pieces per pallet	Box dimensions [mm]
RecLED 122x50mm 1900lm 730 36V 2x 2x3 5050 LHP NTC G6	1010 137 80046	55	13200	150 x 266 x 83
RecLED 173x50mm 2900lm 730 54V 3x 2x3 5050 LHP NTC G6	1010 137 80246	55	6600	300 x 266 x 83
RecLED 224x50mm 3800lm 730 72V 4x 2x3 5050 LHP NTC G6	1010 137 80446	55	6600	300 x 266 x 83
RecLED 274x50mm 4800lm 730 90V 5x 2x3 5050 LHP NTC G6	1010 137 80646	75	9000	300 x 266 x 83
RecLED 122x50mm 1900lm 740 36V 2x 2x3 5050 LHP NTC G6	1010 137 80146	55	13200	150 x 266 x 83
RecLED 173x50mm 2900lm 740 54V 3x 2x3 5050 LHP NTC G6	1010 137 80346	55	6600	300 x 266 x 83
RecLED 224x50mm 3800lm 740 72V 4x 2x3 5050 LHP NTC G6	1010 137 80546	55	6600	300 x 266 x 83
RecLED 274x50mm 4800lm 740 90V 5x 2x3 5050 LHP NTC G6	1010 137 80746	75	9000	300 x 266 x 83
RecLED 122x50mm 1900lm 730 36V 2x 2x3 5050 S9 NTC G5	1010 137 80846	55	13200	150 x 266 x 83
RecLED 173x50mm 2900lm 730 54V 3x 2x3 5050 S9 NTC G5	1010 137 81046	55	6600	300 x 266 x 83
RecLED 224x50mm 3800lm 730 72V 4x 2x3 5050 S9 NTC G5	1010 137 81246	55	6600	300 x 266 x 83
RecLED 274x50mm 4800lm 730 90V 5x 2x3 5050 S9 NTC G5	1010 137 81446	75	9000	300 x 266 x 83
RecLED 122x50mm 1900lm 740 36V 2x 2x3 5050 S9 NTC G5	1010 137 80946	55	13200	150 x 266 x 83
RecLED 173x50mm 2900lm 740 54V 3x 2x3 5050 S9 NTC G5	1010 137 81146	55	6600	300 x 266 x 83
RecLED 224x50mm 3800lm 740 72V 4x 2x3 5050 S9 NTC G5	1010 137 81346	55	6600	300 x 266 x 83
RecLED 274x50mm 4800lm 740 90V 5x 2x3 5050 S9 NTC G5	1010 137 81546	75	9000	300 x 266 x 83