

Rectangular LED modules 146x45mm STRADA-IP-2X6-5050

A rectangular solution for outdoor lighting. Compatible with standard 2x6 optics for example LEDiL's STRADA-IP-2X6-5050.

Product description

- Long life-time
- Built-in, constant current LED module
- Re-workable push-in terminals enabling easy connection
- Compliance and approval: CE
- Other CRI and CCT on request



RecLED CRI 70 LHP G6

Product name	Ordering code	Colour temperature [K]	Current nominal If nom [mA]	Luminous flux ¹ φ [lm]	Useful luminous flux ² [lm]	Voltage ¹ Vf [V]	Power ¹ P [W]	Efficacy ¹ [lm/W]	Current minimum If min ³ [mA]	Current maximum If max [mA]	Energy Efficiency Class
RecLED 146x45mm 2900lm 730 36V 2x6 IP 5050 LHP G6	1010 137 99146	3000	440	2850	2955	33	14	199	80	1600	B
RecLED 146x45mm 2900lm 740 36V 2x6 IP 5050 LHP G6	1010 137 99246	4000	440	3007	3117	33	14	210	80	1600	B
RecLED 146x45mm 2900lm 757 36V 2x6 IP 5050 LHP G6	1010 137 99346	5700	440	2931	3039	33	14	204	80	1600	B

RecLED CRI 70 LHP NTC G6

Product name	Ordering code	Colour temperature [K]	Current nominal If nom [mA]	Luminous flux ¹ φ [lm]	Useful luminous flux ² [lm]	Voltage ¹ Vf [V]	Power ¹ P [W]	Efficacy ¹ [lm/W]	Current minimum If min ³ [mA]	Current maximum If max [mA]	Energy Efficiency Class
RecLED 146x45mm 2900lm 730 36V 2x6 IP 5050 LHP NTC G6	1010 137 94646	3000	440	2850	2955	33	14	199	80	1600	B
RecLED 146x45mm 2900lm 740 36V 2x6 IP 5050 LHP NTC G6	1010 137 94746	4000	440	3007	3117	33	14	210	80	1600	B
RecLED 146x45mm 2900lm 757 36V 2x6 IP 5050 LHP NTC G6	1010 137 94846	5700	440	2931	3039	33	14	204	80	1600	B

RecLED CRI 70 S9 G5

Product name	Ordering code	Colour temperature [K]	Current nominal If nom [mA]	Luminous flux ¹ φ [lm]	Useful luminous flux ² [lm]	Voltage ¹ Vf [V]	Power ¹ P [W]	Efficacy ¹ [lm/W]	Current minimum If min ³ [mA]	Current maximum If max [mA]	Energy Efficiency Class
RecLED 146x45mm 2900lm 730 36V 2x6 IP 5050 S9 G5	1010 147 02346	3000	440	2846	2921	33	14	197	80	1600	C
RecLED 146x45mm 2900lm 740 36V 2x6 IP 5050 S9 G5	1010 147 02446	4000	440	2994	3073	33	14	207	80	1600	B
RecLED 146x45mm 2900lm 757 36V 2x6 IP 5050 S9 G5	1010 147 02546	5700	440	2926	3003	33	14	203	80	1600	B

RecLED CRI 70 S9 NTC G5

Product name	Ordering code	Colour temperature [K]	Current nominal If nom [mA]	Luminous flux ¹ φ [lm]	Useful luminous flux ² [lm]	Voltage ¹ Vf [V]	Power ¹ P [W]	Efficacy ¹ [lm/W]	Current minimum If min ³ [mA]	Current maximum If max [mA]	Energy Efficiency Class
RecLED 146x45mm 2900lm 730 36V 2x6 IP 5050 S9 NTC G5	1010 137 97146	3000	440	2846	2921	33	14	197	80	1600	C
RecLED 146x45mm 2900lm 740 36V 2x6 IP 5050 S9 NTC G5	1010 137 97246	4000	440	2994	3073	33	14	207	80	1600	B
RecLED 146x45mm 2900lm 757 36V 2x6 IP 5050 S9 NTC G5	1010 137 97346	5700	440	2926	3003	33	14	203	80	1600	B

¹At nominal current and T_p

²At nominal current and 25°C

³It is recommended not to operate below minimum current in order to avoid un-even brightness
Tolerance range for optical and electrical ±10%

Rectangular LED modules 146x45mm STRADA-IP-2X6-5050

Temperature & humidity

Specification item	Unit	Value
Tp	[°C]	55
Tp rated	[°C]	75
Tc	[°C]	95
Relative humidity (non-condensing)	[%]	5 ... 85
Storage ambient temperature	[°C]	-25 ... +85
Storage relative humidity (non-condensing)	[%]	5 ... 85

Tp - Temperature related to the performance parameters of the LED modules

Tp rated - Maximum operating temperature to which the rated performance characteristics are declared

Tc - Highest permissible value for safe operation

Technical data

Specification item	Unit	Value
Classification acc. to IEC 62031		built-in
Working voltage	[Vdc]	420
Beam angle	[deg]	120
Initial color consistency	[SDCM]	5
Photobiological safety		RG2 (RG1 at >0.5m distance)

Color coordinates

According to CIE 1931

Specification item	CIE _x	CIE _y
3000K	0.4338	0.4030
4000K	0.3818	0.3797
5700K	0.3287	0.3417

Certificates & standards

Specification item	Compliant
ENEC	No
ENEC+	No
CE	Yes
RoHS	Yes
REACH	Yes
Zhaga	No
IP rating	No IP rating

Rectangular LED modules 146x45mm STRADA-IP-2X6-5050

Lumen maintenance

LHP G6

Forward current	Tp temp.	L70 [h]		L80 [h]		L90 [h]	
		B50	B10	B50	B10	B50	B10
If nom	55°C	>102 000	>102 000	>102 000	>102 000	>102 000	>102 000
	65°C	>102 000	>102 000	>102 000	>102 000	>102 000	>102 000
	75°C	>102 000	>102 000	>102 000	>102 000	>102 000	>102 000
	85°C	>102 000	>102 000	>102 000	>102 000	>102 000	>102 000
	95°C	>102 000	>102 000	>102 000	>102 000	>102 000	>102 000

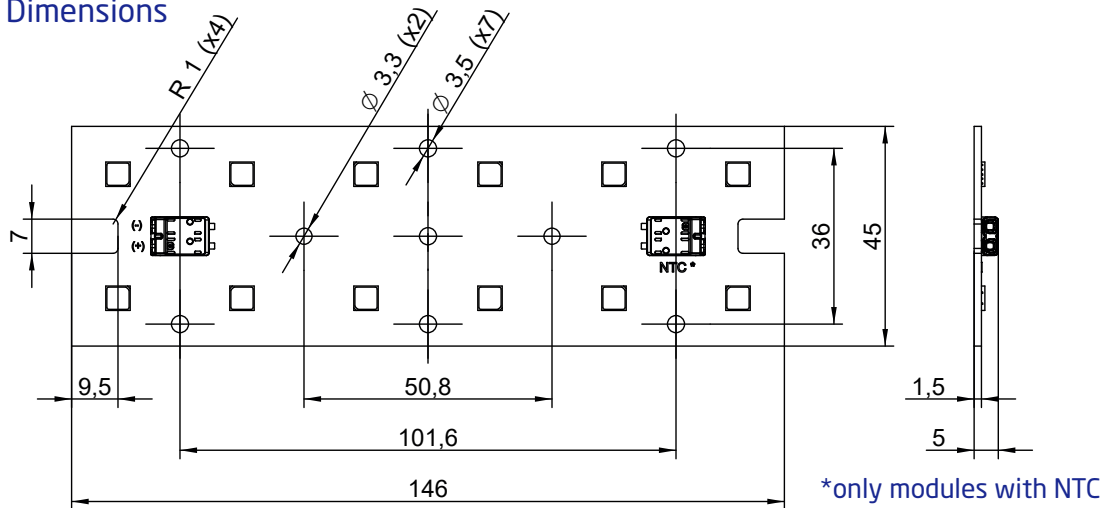
Reported data based on LM80 LED data (17 000h)

S9 G5

Forward current	Tp temp.	L70 [h]		L80 [h]		L90 [h]	
		B50	B10	B50	B10	B50	B10
If nom	55°C	>120 000	>120 000	>120 000	>120 000	102 000	99 000
	65°C	>120 000	>120 000	>120 000	>120 000	89 000	87 000
	75°C	>120 000	>120 000	>120 000	>120 000	80 000	77 000
	85°C	>120 000	>120 000	>120 000	>120 000	73 000	68 000
	95°C	>120 000	>120 000	>120 000	>120 000	66 000	60 000
If max	55°C	>120 000	>120 000	>120 000	66 000	69 000	39 000
	65°C	>120 000	107 000	101 000	54 000	55 000	30 000
	75°C	>120 000	79 000	78 000	44 000	44 000	23 000
	85°C	>120 000	59 000	62 000	37 000	35 000	18 000
	95°C	103 000	45 000	49 000	31 000	29 000	14 000

Reported data based on LM80 LED data (20 000h)

Dimensions



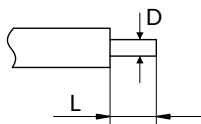
Mounting

LED Modules cannot be exposed to tensile or compressive stresses. For this purpose it is necessary that the modules are assembled to a flat surface by only rounded head screws. Additionally plastic flat washer should be used to ensure creepage distance between screw's head and surface of the pcb. Max. torque for fixing: 0,5Nm.

LED modules are sensitive to electrostatic discharge (ESD). Follow safety regulations according to IEC 61340-5-1.

Wiring

Wire cross section and strip length:



D - wire cross section (solid and flexible wires)	Min	Max
	0.2mm ²	0.75mm ²
	AWG 24	AWG 18

L - strip length	Min	Max
	8mm	9mm

Opening for the release of wires from the top with release pin Electroterminal art. 881 167 884:

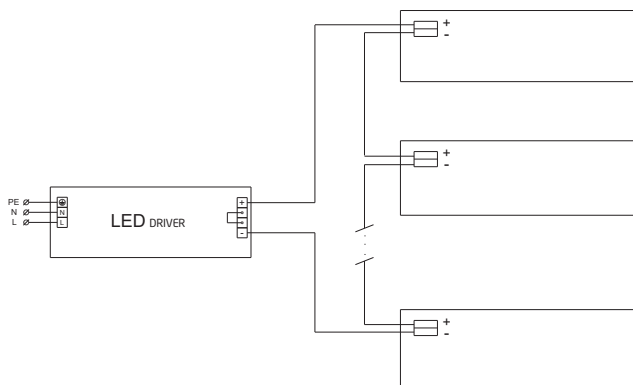


Rectangular LED modules 146x45mm STRADA-IP-2X6-5050

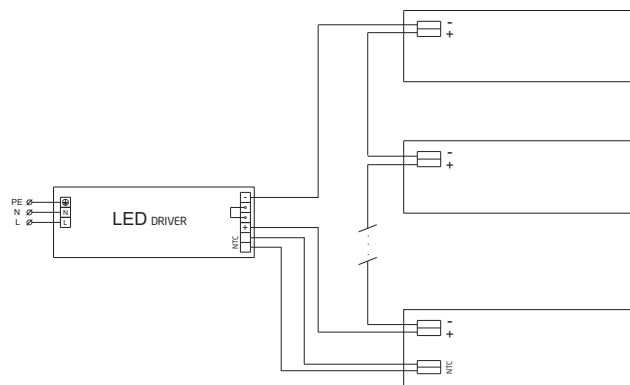
Connections

Max number of modules	Unit	Series	Parallel
RecLED 146x45mm 2X6	[pcs]	11	-

without NTC



NTC



Energy Label / EPREL database

To obtain Energy Label for this product visit <https://eprel.ec.europa.eu/> and enter model identifier

Model identifier consists of 10 digits XXXX XXX XXX. It is printed directly on the LED module or on product label. This is the number you can see in EPREL database.

Ordering code consist of 12 digits XXXX XXX XXX46. Additional last two digits means packaging of the product.

Ordering codes

Product name	Ordering code	Pieces per box	Pieces per pallet	Box dimensions [mm]
RecLED 146x45mm 2900lm 730 36V 2x6 IP 5050 LHP G6	1010 137 99146	40	9120	248 x 175 x 66
RecLED 146x45mm 2900lm 740 36V 2x6 IP 5050 LHP G6	1010 137 99246	40	9120	248 x 175 x 66
RecLED 146x45mm 2900lm 757 36V 2x6 IP 5050 LHP G6	1010 137 99346	40	9120	248 x 175 x 66
RecLED 146x45mm 2900lm 730 36V 2x6 IP 5050 LHP NTC G6	1010 137 94646	40	9120	248 x 175 x 66
RecLED 146x45mm 2900lm 740 36V 2x6 IP 5050 LHP NTC G6	1010 137 94746	40	9120	248 x 175 x 66
RecLED 146x45mm 2900lm 757 36V 2x6 IP 5050 LHP NTC G6	1010 137 94846	40	9120	248 x 175 x 66
RecLED 146x45mm 2900lm 730 36V 2x6 IP 5050 S9 G5	1010 147 02346	40	9120	248 x 175 x 66
RecLED 146x45mm 2900lm 740 36V 2x6 IP 5050 S9 G5	1010 147 02446	40	9120	248 x 175 x 66
RecLED 146x45mm 2900lm 757 36V 2x6 IP 5050 S9 G5	1010 147 02546	40	9120	248 x 175 x 66
RecLED 146x45mm 2900lm 730 36V 2x6 IP 5050 S9 NTC G5	1010 137 97146	40	9120	248 x 175 x 66
RecLED 146x45mm 2900lm 740 36V 2x6 IP 5050 S9 NTC G5	1010 137 97246	40	9120	248 x 175 x 66
RecLED 146x45mm 2900lm 757 36V 2x6 IP 5050 S9 NTC G5	1010 137 97346	40	9120	248 x 175 x 66