

Outdoor LED modules 3535

A rectangular solution for outdoor lighting. Compatible with standard 2x2 optics for example LEDiL's STRADA-2X2

Product description

- Long life-time
- Built-in, constant current LED module
- Re-workable push-in terminals enabling easy connection
- Compliance and approval: CE
- Other CCT and CRI on request



The number and type of connectors may vary depending on the type of module.

RecLED CRI 70 C3S NTC G2

Product name	Ordering code	Colour temperature [K]	Current nominal If nom [mA]	Luminous flux ¹ φ [lm]	Useful luminous flux ² [lm]	Voltage ¹ Vf [V]	Power ¹ P [W]	Efficacy ¹ [lm/W]	Current minimum If min ³ [mA]	Current maximum If max [mA]	Energy Efficiency Class
RecLED 122x50mm 1900lm 730 24V 2x4 3535 C3S NTC G2	1010 137 84246	3000K	480	1845	1920	22	11	174	100	1500	C
RecLED 173x50mm 2900lm 730 36V 2x6 3535 C3S NTC G2	1010 137 84746		480	2767	2879	33	16	174	100	1500	C
RecLED 224x50mm 3800lm 730 48V 2x8 3535 C3S NTC G2	1010 137 85246		480	3689	3839	44	21	174	100	1500	C
RecLED 122x50mm 1900lm 740 24V 2x4 3535 C3S NTC G2	1010 137 84346	4000K	480	2012	2094	22	11	190	100	1500	C
RecLED 173x50mm 2900lm 740 36V 2x6 3535 C3S NTC G2	1010 137 84846		480	3018	3141	33	16	190	100	1500	C
RecLED 224x50mm 3800lm 740 48V 2x8 3535 C3S NTC G2	1010 137 85346		480	4024	4188	44	21	190	100	1500	C

RecLED CRI 70 C3S G2

Product name	Ordering code	Colour temperature [K]	Current nominal If nom [mA]	Luminous flux ¹ φ [lm]	Useful luminous flux ² [lm]	Voltage ¹ Vf [V]	Power ¹ P [W]	Efficacy ¹ [lm/W]	Current minimum If min ³ [mA]	Current maximum If max [mA]	Energy Efficiency Class
RecLED 122x50mm 1900lm 730 24V 2x4 3535 C3S G2	1010 137 85746	3000K	480	1845	1920	22	11	174	100	1500	C
RecLED 173x50mm 2900lm 730 36V 2x6 3535 C3S G2	1010 137 86246		480	2767	2879	33	16	174	100	1500	C
RecLED 224x50mm 3800lm 730 48V 2x8 3535 C3S G2	1010 137 86746		480	3689	3839	44	21	174	100	1500	C
RecLED 122x50mm 1900lm 740 24V 2x4 3535 C3S G2	1010 137 85846	4000K	480	2012	2094	22	11	190	100	1500	C
RecLED 173x50mm 2900lm 740 36V 2x6 3535 C3S G2	1010 137 86346		480	3018	3141	33	16	190	100	1500	C
RecLED 224x50mm 3800lm 740 48V 2x8 3535 C3S G2	1010 137 86846		480	4024	4188	44	21	190	100	1500	C

RecLED CRI 70 SE2 NTC G2

Product name	Ordering code	Colour temperature [K]	Current nominal If nom [mA]	Luminous flux ¹ φ [lm]	Useful luminous flux ² [lm]	Voltage ¹ Vf [V]	Power ¹ P [W]	Efficacy ¹ [lm/W]	Current minimum If min ³ [mA]	Current maximum If max [mA]	Energy Efficiency Class
RecLED 122x50mm 1900lm 730 24V 2x4 3535 SE2 NTC G2	1010 137 87246	3000K	480	1810	1778	22	11	170	100	1500	D
RecLED 173x50mm 2900lm 730 36V 2x6 3535 SE2 NTC G2	1010 137 87746		480	2715	2667	33	16	170	100	1500	D
RecLED 224x50mm 3800lm 730 48V 2x8 3535 SE2 NTC G2	1010 137 88246		480	3620	3556	44	21	170	100	1500	D
RecLED 122x50mm 1900lm 740 24V 2x4 3535 SE2 NTC G2	1010 137 87346	4000K	480	1992	1957	22	11	187	100	1500	C
RecLED 173x50mm 2900lm 740 36V 2x6 3535 SE2 NTC G2	1010 137 87846		480	2988	2936	33	16	187	100	1500	C
RecLED 224x50mm 3800lm 740 48V 2x8 3535 SE2 NTC G2	1010 137 88346		480	3984	3915	44	21	187	100	1500	C

RecLED CRI 70 SE2 G2

Product name	Ordering code	Colour temperature [K]	Current nominal If nom [mA]	Luminous flux ¹ φ [lm]	Useful luminous flux ² [lm]	Voltage ¹ Vf [V]	Power ¹ P [W]	Efficacy ¹ [lm/W]	Current minimum If min ³ [mA]	Current maximum If max [mA]	Energy Efficiency Class
RecLED 122x50mm 1900lm 730 24V 2x4 3535 SE2 G2	1010 137 88746	3000K	480	1810	1778	22	11	170	100	1500	D
RecLED 173x50mm 2900lm 730 36V 2x6 3535 SE2 G2	1010 137 89246		480	2715	2667	33	16	170	100	1500	D
RecLED 224x50mm 3800lm 730 48V 2x8 3535 SE2 G2	1010 137 89746		480	3620	3556	44	21	170	100	1500	D
RecLED 122x50mm 1900lm 740 24V 2x4 3535 SE2 G2	1010 137 88846	4000K	480	1992	1957	22	11	187	100	1500	C
RecLED 173x50mm 2900lm 740 36V 2x6 3535 SE2 G2	1010 137 89346		480	2988	2936	33	16	187	100	1500	C
RecLED 224x50mm 3800lm 740 48V 2x8 3535 SE2 G2	1010 137 89846		480	3984	3915	44	21	187	100	1500	C

¹At nominal current and T_p

²At nominal current and 25°C

³It is recommended not to operate below minimum current in order to avoid un-even brightness

Tolerance range for optical and electrical ±10%

Outdoor LED modules 3535

Temperature & humidity

Specification item	Unit	Value
Tp	[°C]	55
Tp rated	[°C]	55
Tc	[°C]	95
Relative humidity (non-condensing)	[%]	5 ... 85
Storage ambient temperature	[°C]	-25 ... +85
Storage relative humidity (non-condensing)	[%]	5 ... 85

Tp - Temperature related to the performance parameters of the LED modules

Tp rated - Maximum operating temperature to which the rated performance characteristics are declared

Tc - Highest permissible value for safe operation

Technical data

Specification item	Unit	Value
Classification acc. to IEC 62031		built-in
Working voltage	[Vdc]	420
Beam angle	[deg]	128
Initial color consistency	[SDCM]	5
Photobiological safety		RG2
NTC type	[kΩ]	10'

*Murata NCP18XH103J03RB

Color coordinates

According to CIE 1931

Specification item	CIEx	CIEy
2700K	0.4578	0.4101
3000K	0.4338	0.4030
4000K	0.3818	0.3797
6500K	0.3123	0.3282

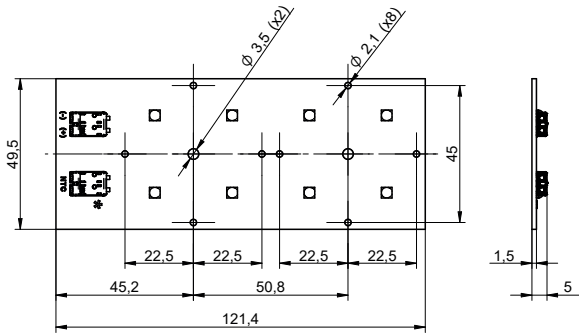
Certificates & standards

Specification item	Compliant
ENEC	Pending
ENEC+	No
CE	Yes
RoHS	Yes
REACH	Yes
IP rating	No IP rating

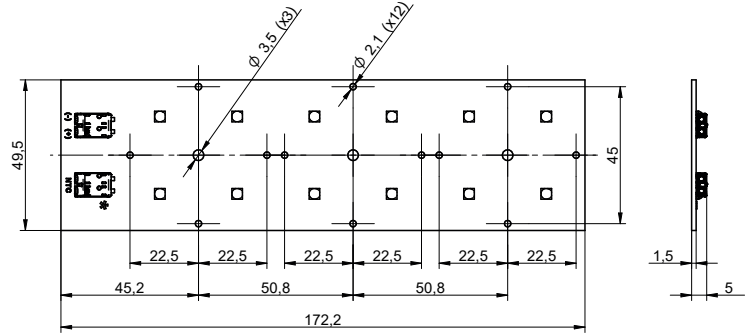
Outdoor LED modules 3535

Dimensions

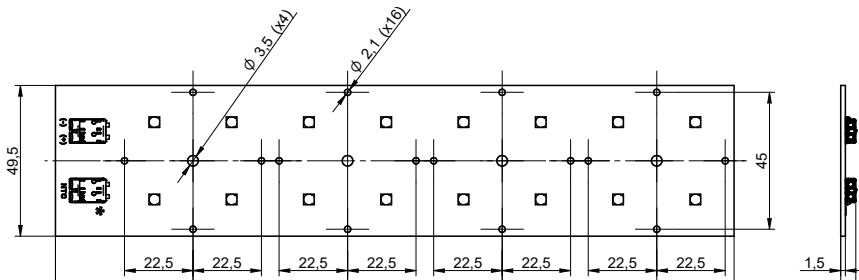
RecLED 122x50mm 2x4



RecLED 173x50mm 2x6



RecLED 224x50mm 2x8



*only modules with NTC

Mounting

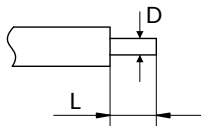
LED Modules cannot be exposed to tensile or compressive stresses. For this purpose it is necessary that the modules are assembled to a flat surface by only rounded head screws. Additionally plastic flat washer should be used to ensure creepage distance between screw's head and surface of the pcb. Max. torque for fixing: 0,5Nm.

LED modules are sensitive to electrostatic discharge (ESD). Follow safety regulations according to IEC 61340-5-1.

Protection against electric shock must be provided by the luminaire's enclosure.

Wiring

Wire cross section and strip length:



D - wire cross section (solid and flexible wires)	Min	Max
	0.2mm ²	0.75mm ²
	AWG 24	AWG 18

L - strip length	Min	Max
	8mm	9mm

Opening for the release of wires from the top with release pin Electroterminal art. 881 167 884:

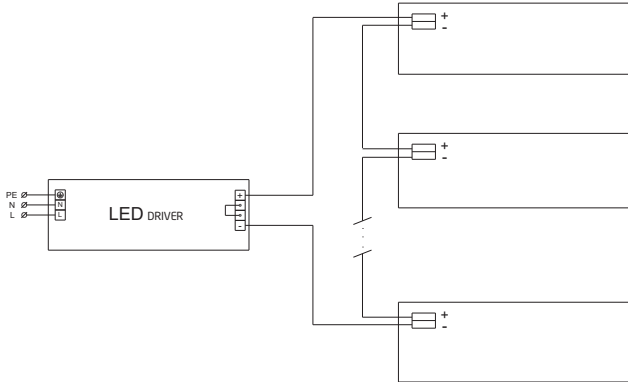


Outdoor LED modules 3535

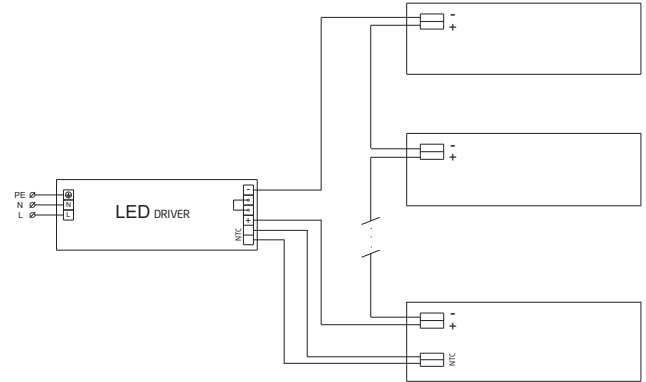
Connections

Max number of modules	Unit	Series	Parallel
RecLED 122x50mm 2x4 3535	[pcs]	17	-
RecLED 173x50mm 2x6 3535	[pcs]	11	-
RecLED 224x50mm 2x8 3535	[pcs]	8	-

without NTC



NTC



Energy Label / EPREL database

To obtain Energy Label for this product visit <https://eprel.ec.europa.eu/> and enter model identifier

Model identifier consists of 10 digits XXXX XXX XXX. It is printed directly on the LED module or on product label. This is the number you can see in EPREL database.

Ordering code consist of 12 digits XXXX XXX XXX46. Additional last two digits means packaging of the product.

Ordering codes

Product name	Ordering code	Pieces per box	Pieces per pallet	Box dimensions [mm]
RecLED 122x50mm 1900lm 730 24V 2x4 3535 C3S NTC G2	1010 137 84246	55	13200	150 x 266 x 83
RecLED 173x50mm 2900lm 730 36V 2x6 3535 C3S NTC G2	1010 137 84746	55	6600	300 x 266 x 83
RecLED 224x50mm 3800lm 730 48V 2x8 3535 C3S NTC G2	1010 137 85246	55	6600	300 x 266 x 83
RecLED 122x50mm 1900lm 740 24V 2x4 3535 C3S NTC G2	1010 137 84346	55	13200	150 x 266 x 83
RecLED 173x50mm 2900lm 740 36V 2x6 3535 C3S NTC G2	1010 137 84846	55	6600	300 x 266 x 83
RecLED 224x50mm 3800lm 740 48V 2x8 3535 C3S NTC G2	1010 137 85346	55	6600	300 x 266 x 83
RecLED 122x50mm 1900lm 730 24V 2x4 3535 C3S G2	1010 137 85746	55	13200	150 x 266 x 83
RecLED 173x50mm 2900lm 730 36V 2x6 3535 C3S G2	1010 137 86246	55	6600	300 x 266 x 83
RecLED 224x50mm 3800lm 730 48V 2x8 3535 C3S G2	1010 137 86746	55	6600	300 x 266 x 83
RecLED 122x50mm 1900lm 740 24V 2x4 3535 C3S G2	1010 137 85846	55	13200	150 x 266 x 83
RecLED 173x50mm 2900lm 740 36V 2x6 3535 C3S G2	1010 137 86346	55	6600	300 x 266 x 83
RecLED 224x50mm 3800lm 740 48V 2x8 3535 C3S G2	1010 137 86846	55	6600	300 x 266 x 83
RecLED 122x50mm 1900lm 730 24V 2x4 3535 SE2 NTC G2	1010 137 87246	55	13200	150 x 266 x 83
RecLED 173x50mm 2900lm 730 36V 2x6 3535 SE2 NTC G2	1010 137 87746	55	6600	300 x 266 x 83
RecLED 224x50mm 3800lm 730 48V 2x8 3535 SE2 NTC G2	1010 137 88246	55	6600	300 x 266 x 83
RecLED 122x50mm 1900lm 740 24V 2x4 3535 SE2 NTC G2	1010 137 87346	55	13200	150 x 266 x 83
RecLED 173x50mm 2900lm 740 36V 2x6 3535 SE2 NTC G2	1010 137 87846	55	6600	300 x 266 x 83
RecLED 224x50mm 3800lm 740 48V 2x8 3535 SE2 NTC G2	1010 137 88346	55	6600	300 x 266 x 83
RecLED 122x50mm 1900lm 730 24V 2x4 3535 SE2 G2	1010 137 88746	55	13200	150 x 266 x 83
RecLED 173x50mm 2900lm 730 36V 2x6 3535 SE2 G2	1010 137 89246	55	6600	300 x 266 x 83
RecLED 224x50mm 3800lm 730 48V 2x8 3535 SE2 G2	1010 137 89746	55	6600	300 x 266 x 83
RecLED 122x50mm 1900lm 740 24V 2x4 3535 SE2 G2	1010 137 88846	55	13200	150 x 266 x 83
RecLED 173x50mm 2900lm 740 36V 2x6 3535 SE2 G2	1010 137 89346	55	6600	300 x 266 x 83
RecLED 224x50mm 3800lm 740 48V 2x8 3535 SE2 G2	1010 137 89846	55	6600	300 x 266 x 83