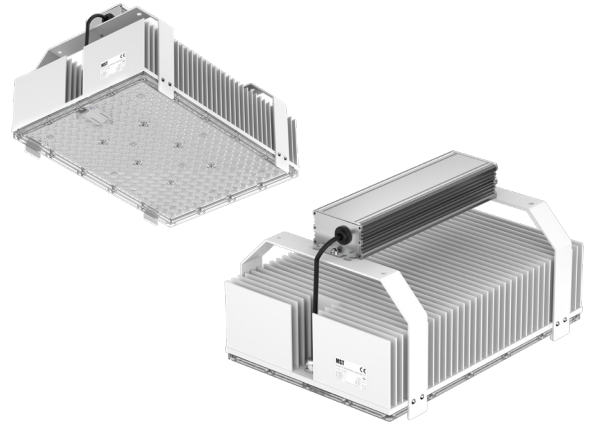


GrowLED TC 2000 550W

Product description

- Direct replacement for 1000W HPS fixture with 40% energy savings
- TC series for greenhouse toplighting
- Plug & Play solution enabling easy connection
- 4 hanging suspensions for simple mounting
- Multiple light spectrum for different growth stage
- Broad spectrum with implemented white light for comfortable human work environment
- Equipped with an optical lens system for effective light distribution
- Passive cooling means no extensive heat like in HPS
- Guarantee 5 years
- Possible customization



GrowLED TC 2000 550W

Product name	Ordering code	Spectrum type	PPF [$\mu\text{mol/s}$]	Efficacy [$\mu\text{mol/J}$]	Power [W]	Current nominal [A]
GrowLED TC 2000 550W 400V-0.4NC DIM-0.25NC N90 W10R90	1010 119 01446	W10R90	1958	3.5	558	1.39
GrowLED TC 2000 550W 400V-0.4NC DIM-0.25NC NS90 W15R85	-	W15R85	1897	3.4	553	1.38
GrowLED TC 2000 550W 400V-0.4NC DIM-0.25NC NS90 W20R80	-	W20R80	1837	3.3	549	1.37
GrowLED TC 2000 550W 400V-0.4NC DIM-0.25NC NS90 W25R75	-	W25R75	1781	3.3	545	1.36

Tolerance range for optical and electrical $\pm 10\%$

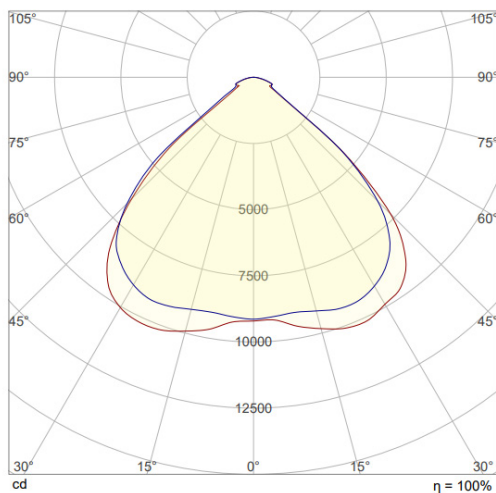
Connections

Specification item	Cable length [m]	Connector
Mains	0.35	Schuko /Wieland/No Connector
Dimming	0.25	LLT /Wieland/No Connector

Technical data

Specification item	Unit	400V
Power factor		0.97
Total Harmonic Distortion	[%]	<20
Dimming		on request
IP Rating		IP65
Ambient temperature	[°C]	-25 ... +40

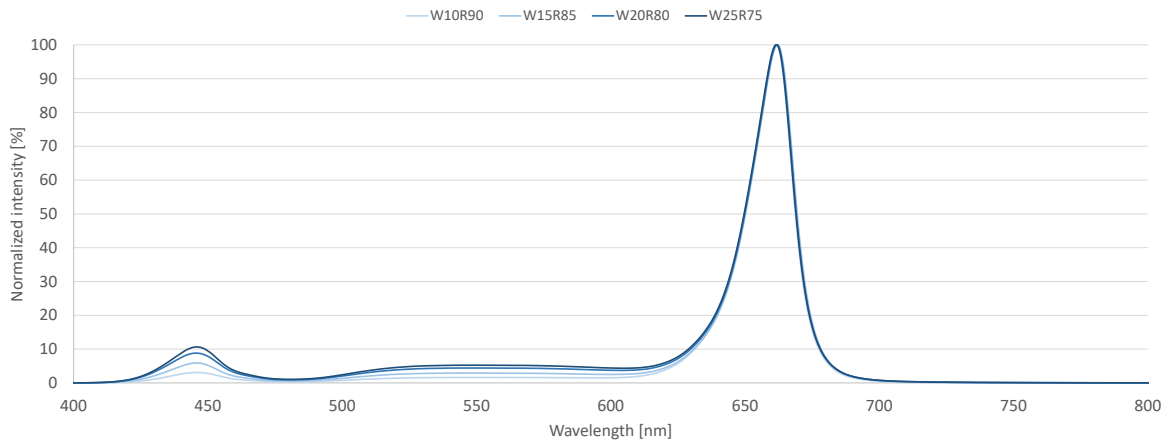
Light distributon



— C0 - C180
— C90 - C270

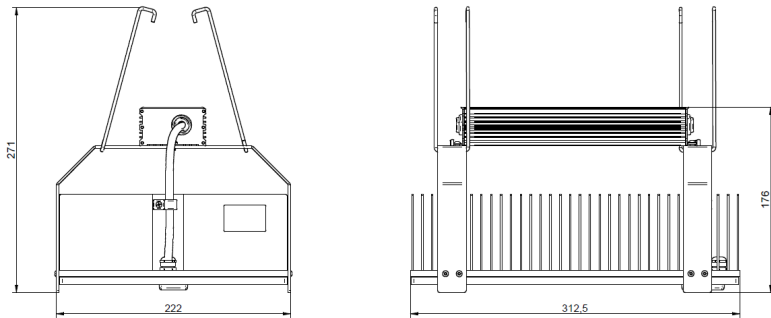
GrowLED TC 2000 550W

Spectrum



Dimensions

Specification item	Unit	Value
Length	[mm]	312.5
Width	[mm]	222
Height	[mm]	176
Weight	[kg]	6.5



Ordering codes

Product name	Ordering code	Pieces per box	Pieces per pallet	Box dimensions [mm]
GrowLED TC 2000 550W 400V-0.4NC DIM-0.25NC N90 W10R90	1010 119 01446	1	72	328 x 238 x 198
GrowLED TC 2000 550W 400V-0.4NC DIM-0.25NC NS90 W15R85	-	1	72	328 x 238 x 198
GrowLED TC 2000 550W 400V-0.4NC DIM-0.25NC NS90 W20R80	-	1	72	328 x 238 x 198
GrowLED TC 2000 550W 400V-0.4NC DIM-0.25NC NS90 W25R75	-	1	72	328 x 238 x 198